

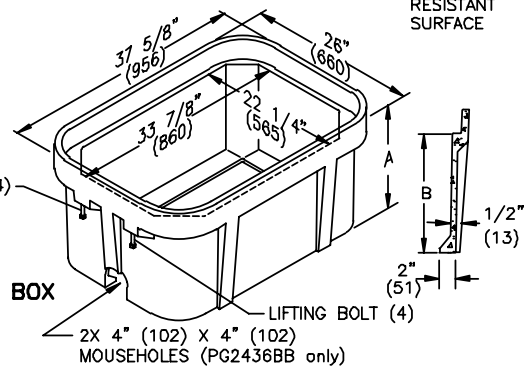
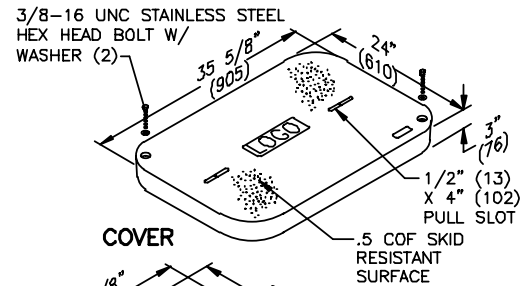
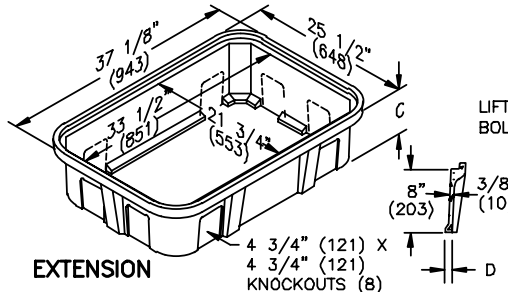
# SPECIFICATIONS/DATA

## 24" x 36" PG Style (Stackable) Assembly

### Covers (Blank unless logo is specified)

DESCRIPTION	PART NO.	WEIGHT #	DESIGN/TEST LOAD #	ANSI TIER
W/2 Bolts	PG2436CA00	100 (45.4 kg)	8,000 / 12,000	8
Gasketed w/2 Bolts	PG2436CG00	100 (45.4 kg)	8,000 / 12,000	8
No Bolts	PG2436WA00	100 (45.4 kg)	8,000 / 12,000	8
Heavy Duty w/2 Bolts	PG2436HA00	115 (52.2 kg)	15,000 / 22,500	15
Gasketed Heavy Duty w/2 Bolts	PG2436HG00	115 (52.2 kg)	15,000 / 22,500	15
Extra Heavy Duty w/2 Bolts	PG2436HH00	122 (55.2 kg)	22,500 / 33,750	15*

- Covers with meter lids available upon request.
- Gasketed covers and bolt grommets must be used with a gasketed box. Gaskets reduce the inflow of fluids but do not make the enclosure water tight.
- \* Loadings for HH covers comply with all test provisions of ANSI/SCTE 77 except that the vertical design load is 22,500 lbs. with a test load of 33,750 lbs. over a 10" x 20" plate.



### Boxes (Stackable with self-aligning, replaceable EZ-Nut) \*24", 30" & 42" deep boxes must be used as bottom of any stack

DESCRIPTION	PART NO.	WEIGHT #	DIMENSION A	DIMENSION B	DESIGN/TEST LOAD #	ANSI TIER
Open Bottom	PG2436BA18	141 (64.0 kg)	18" (457 mm)	15" (381 mm)	22,500 / 33,750	15**
	PG2436BA24	180 (81.6 kg)	24" (610 mm)	21" (533 mm)	22,500 / 33,750	15**
	PG2436BA30	196 (88.9 kg)	30" (762 mm)	27" (686 mm)	22,500 / 33,750	15**
	PG2436BA42	265 (120.0 kg)	42" (1067 mm)	39" (991 mm)	22,500 / 33,750	15**
Open Bottom w/ Gasket	PG2436BG18	141 (64.0 kg)	18" (457 mm)	15" (381 mm)	22,500 / 33,750	15**
	PG2436BG24	180 (81.6 kg)	24" (610 mm)	21" (533 mm)	22,500 / 33,750	15**
	PG2436BG30	196 (88.9 kg)	30" (762 mm)	27" (686 mm)	22,500 / 33,750	15**
	PG2436BG42	265 (120.0 kg)	42" (1067 mm)	39" (991 mm)	22,500 / 33,750	15**
Open Bottom w/ 2 Mouseholes	PG2436BB18	139 (63.1 kg)	18" (457 mm)	15" (381 mm)	22,500 / 33,750	15**
	PG2436BB24	178 (80.7 kg)	24" (610 mm)	21" (533 mm)	22,500 / 33,750	15**
	PG2436BB30	194 (88.0 kg)	30" (762 mm)	27" (686 mm)	22,500 / 33,750	15**
	PG2436BB42*	263 (119.3 kg)	42" (1067 mm)	39" (991 mm)	22,500 / 33,750	15**
Solid Bottom	PG2436DA18	181 (82.1 kg)	18 1/2" (470 mm)	15" (381 mm)	22,500 / 33,750	15**
	PG2436DA24	228 (103.4 kg)	24 1/2" (622 mm)	21" (533 mm)	22,500 / 33,750	15**
	PG2436DA30	238 (107.0 kg)	30 1/2" (775 mm)	27" (686 mm)	22,500 / 33,750	15**
	PG2436DA42	293 (133.0 kg)	42 1/2" (1080 mm)	39" (991 mm)	22,500 / 33,750	15**
Solid Bottom w/ Gasket	PG2436DG18	181 (82.1 kg)	18 1/2" (470 mm)	15" (381 mm)	22,500 / 33,750	15**
	PG2436DG24	228 (103.4 kg)	24 1/2" (622 mm)	21" (533 mm)	22,500 / 33,750	15**
	PG2436DG30	238 (107.0 kg)	30 1/2" (775 mm)	27" (686 mm)	22,500 / 33,750	15**
	PG2436DG42	293 (133.0 kg)	42 1/2" (1080 mm)	39" (991 mm)	22,500 / 33,750	15**

\* PG 2436BB42 is not UL Listed.

\*\* Loadings comply with ANSI/SCTE 77. These boxes meet and exceed ANSI Tier 15 test provisions.

### Extensions (For use under 18" deep boxes only, one per box. For grade adjustable extension see page 44.)

DESCRIPTION	PART NO.	WEIGHT #	DIMENSION C	DIMENSION D	DESIGN/TEST LOAD #	ANSI TIER
Open Bottom	PG2436EA08	57 (25.9 kg)	8 3/4" (222 mm)	1" (25 mm)	22,500 / 33,750	15*
Solid Bottom	PG2436RA08	95 (43.1 kg)	9 1/4" (235 mm)	N/A	22,500 / 33,750	15*

\* Loadings comply with ANSI/SCTE 77. These extensions meet and exceed ANSI Tier 15 test provisions.

Dimensions & weights in parentheses are metric equivalent.