

SPECIFICATIONS/DATA

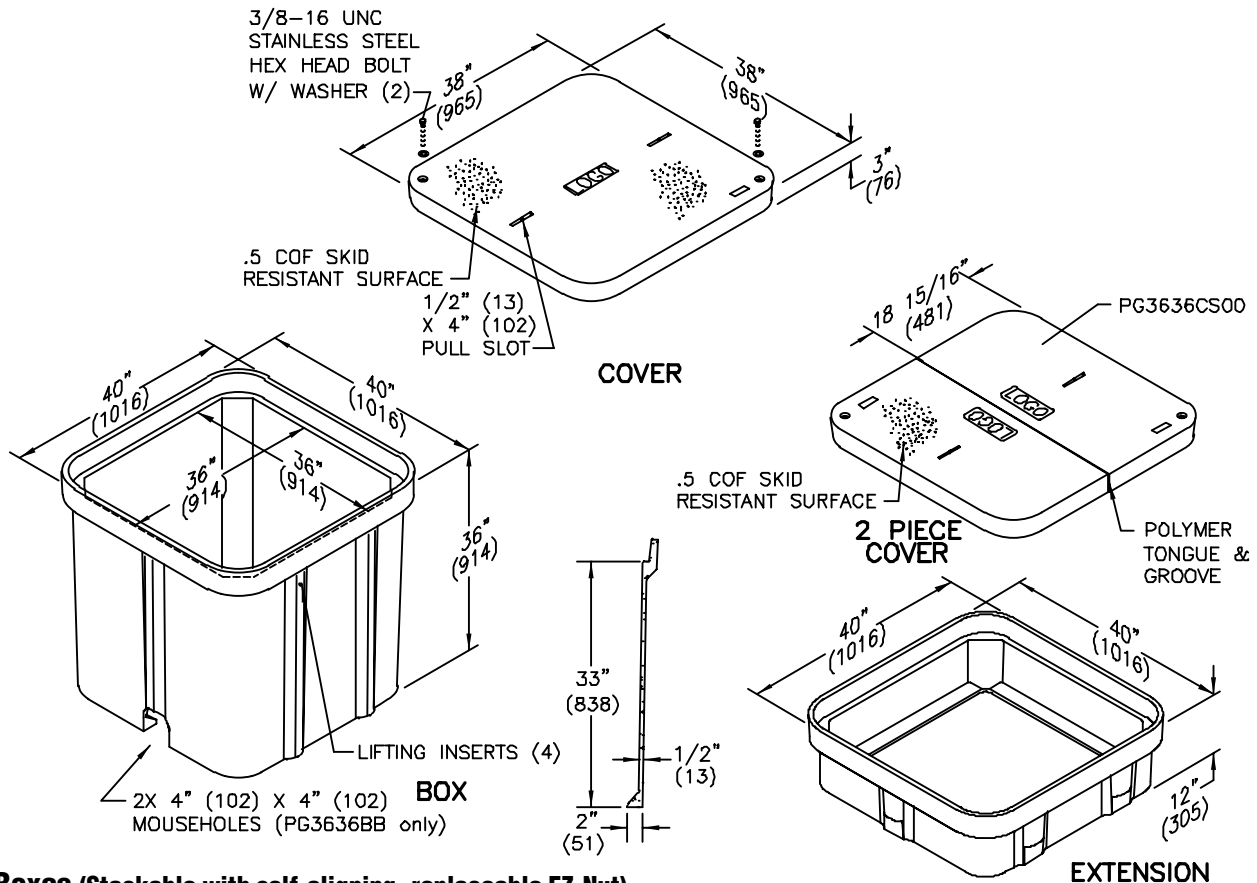
36" x 36" PG Style (Stackable) Assembly

Covers (Blank unless logo is specified)

DESCRIPTION	PART NO.	WEIGHT #	DESIGN/TEST LOAD #	ANSI TIER
W/2 Bolts	PG3636CA00	140 (63.5 kg)	8,000 / 12,000	8
No Bolts	PG3636WA00	140 (63.5 kg)	8,000 / 12,000	8
Heavy Duty w/2 Bolts	PG3636HA00	172 (78.0 kg)	15,000 / 22,500	15
2-piece w/2 Bolts	PG3636CS00	172 (78.0 kg)	8,000 / 12,000	8
Heavy Duty 2-piece w/2 Bolts	PG3636HS00	196 (88.9 kg)	15,000 / 22,500	15
Extra Heavy Duty w/2 Bolts	PG3636HH00	330 (149.7 kg)	22,500 / 33,750	15*

• Covers with meter lids available upon request.

* Loadings for HH covers comply with all test provisions of ANSI/SCTE 77 except that the vertical design load is 22,500 lbs. with a test load of 33,750 lbs. over a 10" x 20" plate.



ENCLOSURE DRAWINGS

Boxes (Stackable with self-aligning, replaceable EZ-Nut)

DESCRIPTION	PART NO.	WEIGHT #	DESIGN/TEST LOAD #	ANSI TIER
Open Bottom	PG3636BA36	320 (145 kg)	22,500 / 33,750	15*
Open Bottom w/2 Mouseholes	PG3636BB36	320 (145 kg)	22,500 / 33,750	15*
Solid Bottom	PG3636DA36	370 (168 kg)	22,500 / 33,750	15*

* Loadings comply with ANSI/SCTE 77. These boxes meet and exceed ANSI Tier 15 test provisions.

Extensions (For use on top of box only)

DESCRIPTION	PART NO.	WEIGHT #	DESIGN/TEST LOAD #	ANSI TIER
Open Bottom	PG3636EA12	155 (70 kg)	22,500 / 33,750	15*

* Loadings comply with ANSI/SCTE 77. These extensions meet and exceed ANSI Tier 15 test provisions. Dimensions & weights in parentheses are metric equivalent.