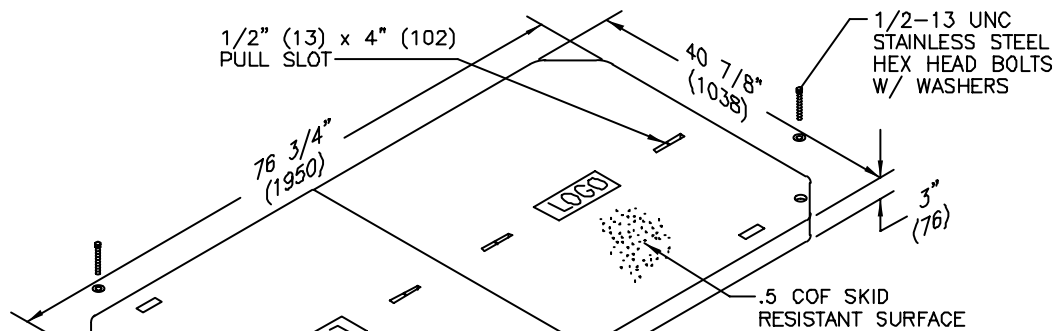


# SPECIFICATIONS/DATA

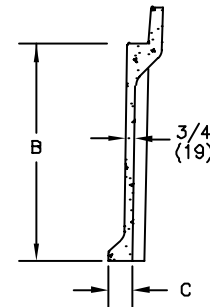
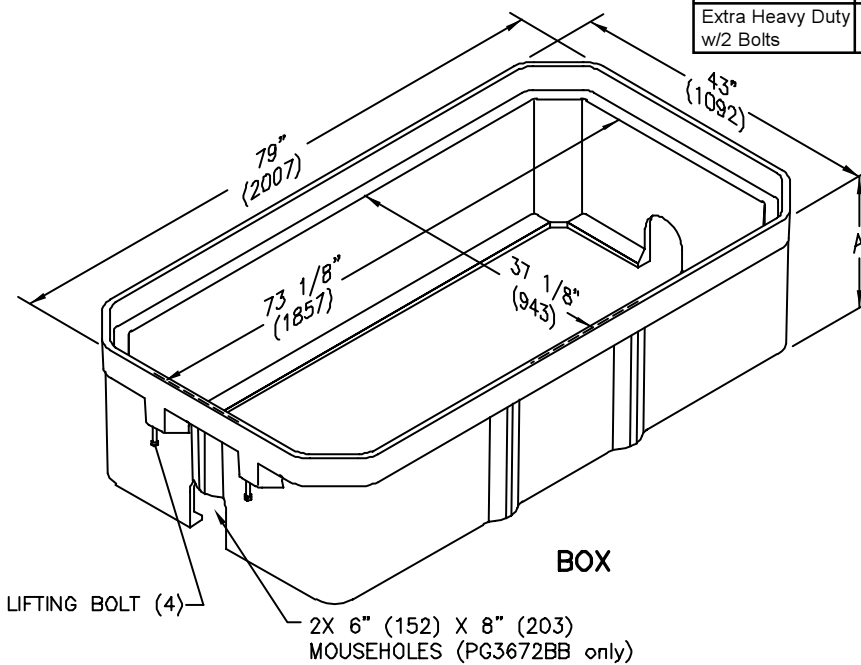
## 36" x 72" PG Style (Stackable) Assembly



### 2-Piece Covers (Blank unless logo is specified)

DESCRIPTION	PART NO.	WEIGHT #	DESIGN/TEST LOAD #	ANSI TIER
Lightweight w/ 2 Bolts	LG3672CA00	310 (140.6 kg)	5,000 / 7,500	5
Lightweight w/ No Bolts	LG3672WA00	310 (140.6 kg)	5,000 / 7,500	5
Heavy Duty w/ 2 Bolts	PG3672HA00	464 (210.5 kg)	15,000 / 22,500	15
Extra Heavy Duty w/2 Bolts	PG3672HH00	544 (246.8 kg)	22,500 / 33,750	15*

• Covers with meter lids available upon request.  
 \* Loadings for HH covers comply with all test provisions of ANSI/SCTE 77 except that the vertical design load is 22,500 lbs. with a test load of 33,750 lbs. over a 10" x 20" plate.



ENCLOSURE DRAWINGS

### Boxes (Stackable with self-aligning, replaceable EZ-Nut) \*36" deep box must be used as bottom of any stack

DESCRIPTION	PART NO.	WEIGHT #	DIMENSION A	DIMENSION B	DIMENSION C	DESIGN/TEST LOAD #	ANSI TIER
Open Bottom	PG3672BA21	448 (203.2 kg)	21" (533 mm)	18" (457 mm)	2" (51 mm)	22,500 / 33,750	15**
	* PG3672BA36	706 (320.2 kg)	36" (914 mm)	33" (838 mm)	2" (51 mm)	22,500 / 33,750	15**
Open Bottom w/ 2 Mouseholes	PG3672BB21	445 (201.9 kg)	21" (533 mm)	18" (457 mm)	2" (51 mm)	22,500 / 33,750	15**
	* PG3672BB36	703 (318.9 kg)	36" (914 mm)	33" (838 mm)	2" (51 mm)	22,500 / 33,750	15**
Solid Bottom	PG3672DA21	569 (258.1 kg)	21 1/2" (546 mm)	18" (457 mm)	N/A	22,500 / 33,750	15**
	* PG3672DA36	816 (370.1 kg)	36 1/2" (927 mm)	33" (838 mm)	N/A	22,500 / 33,750	15**

\* Loadings comply with ANSI/SCTE 77. These boxes meet and exceed ANSI Tier 15 test provisions. Dimensions & weights in parentheses are metric equivalent.