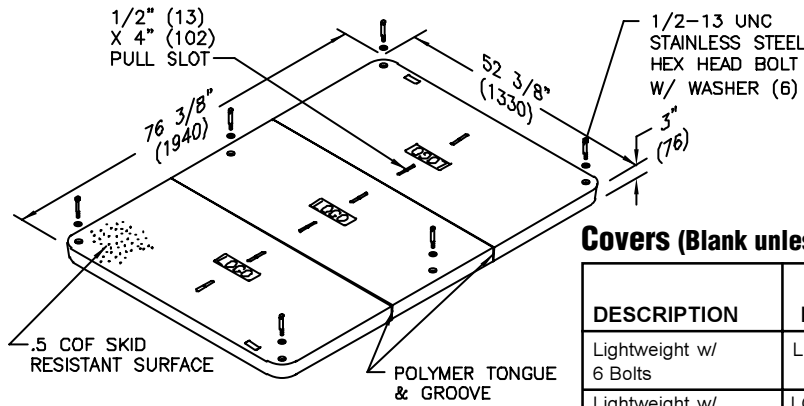


SPECIFICATIONS/DATA

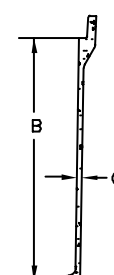
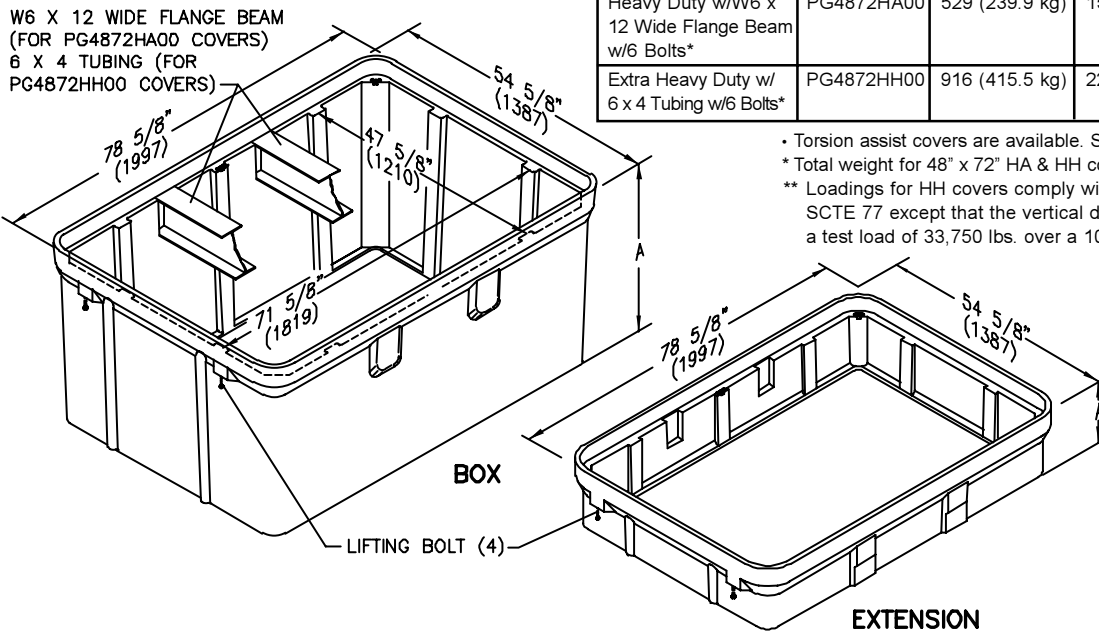
48" x 72" PG Style (Stackable) Assembly



Covers (Blank unless logo is specified)

| DESCRIPTION | PART NO. | WEIGHT # | DESIGN/TEST LOAD # | ANSI TIER |
|--|------------|----------------|--------------------|-----------|
| Lightweight w/ 6 Bolts | LG4872CA00 | 391 (177.3 kg) | 5,000 / 7,500 | 5 |
| Lightweight w/ No Bolts | LG4872WA00 | 391 (177.3 kg) | 5,000 / 7,500 | 5 |
| Heavy Duty w/W6 x 12 Wide Flange Beam w/6 Bolts* | PG4872HA00 | 529 (239.9 kg) | 15,000 / 22,500 | 15 |
| Extra Heavy Duty w/ 6 x 4 Tubing w/6 Bolts* | PG4872HH00 | 916 (415.5 kg) | 22,500 / 33,750 | 15** |

- Torsion assist covers are available. See page 41.
- * Total weight for 48" x 72" HA & HH cover beam is 102 lbs (46.3 kg).
- ** Loadings for HH covers comply with all test provisions of ANSI/SCTE 77 except that the vertical design load is 22,500 lbs. with a test load of 33,750 lbs. over a 10" x 20" plate.



ENCLOSURE DRAWINGS

Boxes (Stackable with self-aligning, replaceable EZ-Nut)

| DESCRIPTION | PART NO. | WEIGHT # | DIMENSION A | DIMENSION B | DESIGN/TEST LOAD # | ANSI TIER |
|--------------|------------|-----------------|-------------------|---------------|--------------------|-----------|
| Open Bottom | PG4872BA36 | 690 (313.0 kg) | 36" (914 mm) | 33" (838 mm) | 22,500 / 33,750 | 15* |
| | PG4872BA48 | 927 (420.5 kg) | 48" (1219 mm) | 45" (1143 mm) | 22,500 / 33,750 | 15* |
| Solid Bottom | PG4872DA36 | 873 (396.0 kg) | 36 1/2" (927 mm) | 33" (838 mm) | 22,500 / 33,750 | 15* |
| | PG4872DA48 | 1110 (503.5 kg) | 48 1/2" (1232 mm) | 45" (1143 mm) | 22,500 / 33,750 | 15* |

* Loadings comply with ANSI/SCTE 77. These boxes meet and exceed ANSI Tier 15 test provisions.

Extension (Stackable with self-aligning, replaceable EZ-Nut; for use on top of box only)

Top extensions are available to give extra depth.

| DESCRIPTION | PART NO. | WEIGHT # | DIMENSION A | DIMENSION B | DESIGN/TEST LOAD # | ANSI TIER |
|--|------------|----------------|-------------------|-------------------|--------------------|-----------|
| Open Bottom, Beam Pocket, No Beam Provided | PG4872EA12 | 359 (162.8 kg) | 78 5/8" (1997 mm) | 71 5/8" (1819 mm) | 22,500 / 33,750 | 15* |

* Loadings comply with ANSI/SCTE 77. These boxes meet and exceed ANSI Tier 15 test provisions. Dimensions & weights in parentheses are metric equivalent.