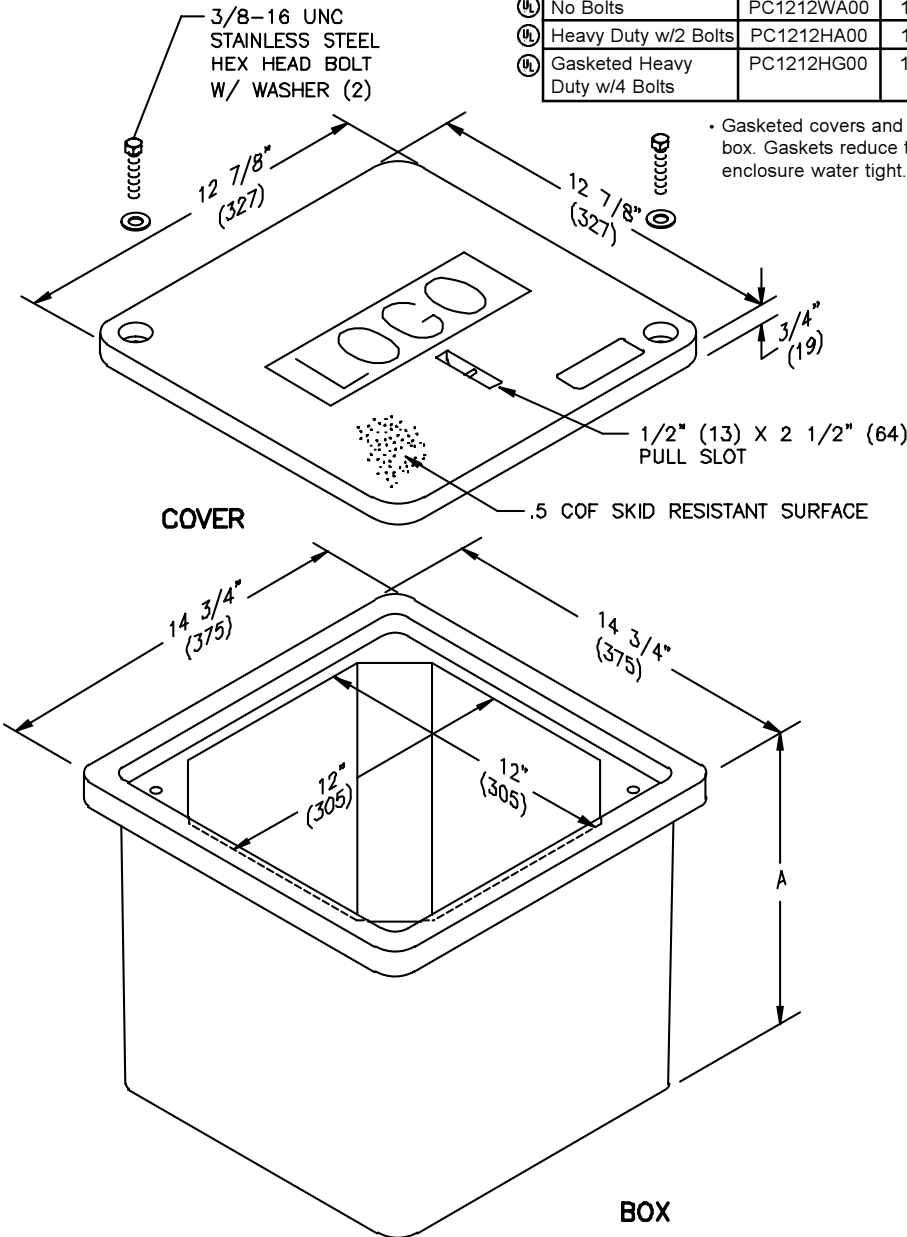


SPECIFICATIONS/DATA

12" x 12" PC Style (Stackable) Assembly

Covers (Blank unless logo is specified)

DESCRIPTION	PART NO.	WEIGHT #	DESIGN/TEST LOAD #	ANSI TIER
Ⓛ W/2 Bolts	PC1212CA00	12 (5.4 kg)	8,000 / 12,000	8
Ⓛ Gasketed w/4 Bolts	PC1212CG00	12 (5.4 kg)	8,000 / 12,000	8
Ⓛ No Bolts	PC1212WA00	12 (5.4 kg)	8,000 / 12,000	8
Ⓛ Heavy Duty w/2 Bolts	PC1212HA00	12 (5.4 kg)	15,000 / 22,500	15
Ⓛ Gasketed Heavy Duty w/4 Bolts	PC1212HG00	12 (5.4 kg)	15,000 / 22,500	15



• Gasketed covers and bolt grommets must be used with a gasketed box. Gaskets reduce the inflow of fluids but do not make the enclosure water tight.

ENCLOSURE DRAWINGS

Boxes (Stackable with self-aligning, replaceable EZ-Nut)

DESCRIPTION	PART NO.	WEIGHT #	DIMENSION A	DESIGN/TEST LOAD #	ANSI TIER
Ⓛ Open Bottom	PC1212BA12	31 (14.1 kg)	12 3/4" (324 mm)	15,000 / 22,500	15
Ⓛ Open Bottom w/Gasket	PC1212BG12	31 (14.1 kg)	12 3/4" (324 mm)	15,000 / 22,500	15
Ⓛ Solid Bottom	PC1212DA12	37 (16.8 kg)	13 1/4" (337 mm)	15,000 / 22,500	15
Ⓛ Solid Bottom w/Gasket	PC1212DG12	37 (16.8 kg)	13 1/4" (337 mm)	15,000 / 22,500	15

Dimensions & weights in parentheses are metric equivalent.