

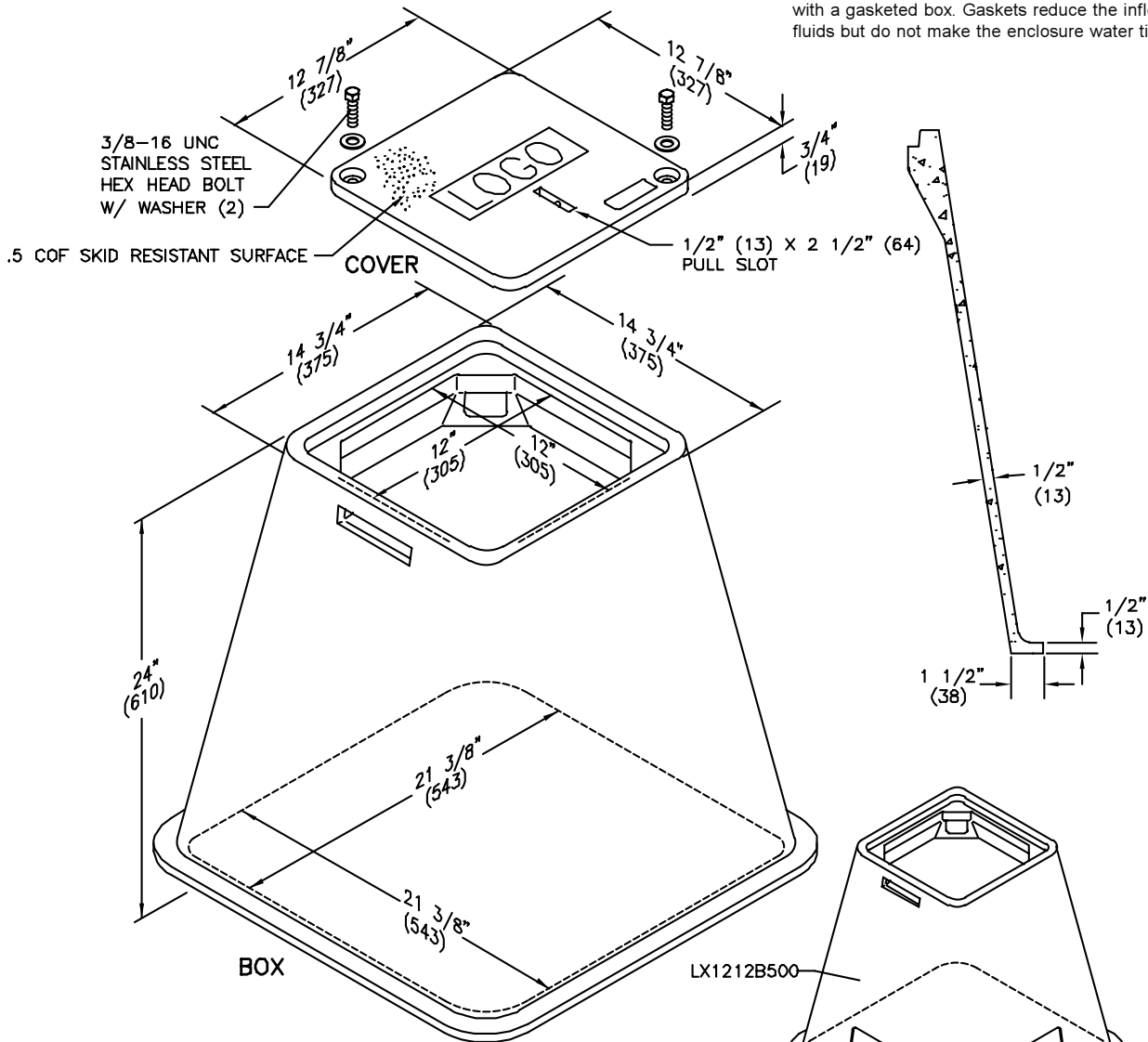
## SPECIFICATIONS/DATA

### 12" x 12" LX Style (Nestable) Assembly

#### Covers (Blank unless logo is specified)

DESCRIPTION	PART NO.	WEIGHT #	DESIGN/TEST LOAD #	ANSI TIER
W/2 Bolts	PC1212CA00	12 (5.4 kg)	8,000 / 12,000	8
Gasketed w/4 Bolts	PC1212CG00	12 (5.4 kg)	8,000 / 12,000	8
No Bolts	PC1212WA00	12 (5.4 kg)	8,000 / 12,000	8
Heavy Duty w/2 Bolts	PC1212HA00	12 (5.4 kg)	15,000 / 22,500	15
Gasketed Heavy Duty w/4 Bolts	PC1212HG00	12 (5.4 kg)	15,000 / 22,500	15

• Gasketed covers and bolt grommets must be used with a gasketed box. Gaskets reduce the inflow of fluids but do not make the enclosure water tight.



#### Boxes (Nestable)

DESCRIPTION	PART NO.	WEIGHT #	DESIGN/TEST LOAD #	ANSI TIER
Open Bottom	LX1212BA24	65 (29.5 kg)	15,000 / 22,500	15
Open Bottom w/Gasket	LX1212BG24	65 (29.5 kg)	15,000 / 22,500	15
Open Bottom w/Knockouts	LX1212B500	65 (29.5 kg)	15,000 / 22,500	15

Dimensions & weights in parentheses are metric equivalent.