

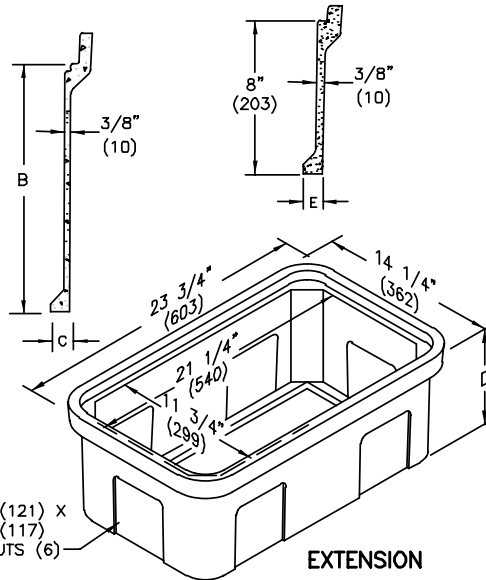
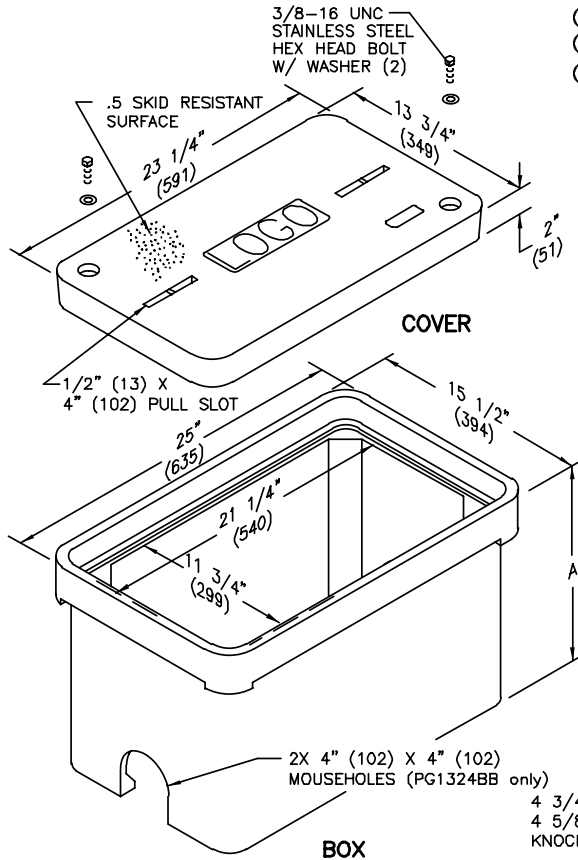
SPECIFICATIONS/DATA

13" x 24" PG Style (Stackable) Assembly

Covers (Blank unless logo is specified)

DESCRIPTION	PART NO.	WEIGHT #	DESIGN/TEST LOAD #	ANSI TIER
W/2 Bolts	PG1324CA00	32 (14.5 kg)	8,000 / 12,000	8
Gasketed w/2 Bolts	PG1324CG00	32 (14.5 kg)	8,000 / 12,000	8
No Bolts	PG1324WA00	32 (14.5 kg)	8,000 / 12,000	8
Heavy Duty w/2 Bolts	PG1324HA00	49 (22.2 kg)	15,000 / 22,500	15
Gasketed Heavy Duty w/2 Bolts	PG1324HG00	49 (22.2 kg)	15,000 / 22,500	15
Extra Heavy Duty w/ 2 Bolts	PG1324HH00	49 (22.2 kg)	22,500 / 33,750	15*

- Covers with meter lids available upon request.
- Gasketed covers and bolt grommets must be used with a gasketed box. Gaskets reduce the inflow of fluids but do not make the enclosure water tight.
- * Loadings for HH covers comply with all test provisions of ANSI/SCTE 77 except that the vertical design load is 22,500 lbs. with a test load of 33,750 lbs. over a 10" x 20" plate.



Boxes (Stackable with self-aligning, replaceable EZ-Nut)

DESCRIPTION	PART NO.	WEIGHT #	DIMENSION A	DIMENSION B	DIMENSION C	DESIGN/TEST LOAD #	ANSI TIER
Open Bottom	PG1324BA12	53 (24.0 kg)	12" (305 mm)	10" (254 mm)	1 1/4" (32 mm)	22,500 / 33,750	15*
	PG1324BA18	72 (33 kg)	18" (457 mm)	16" (406 mm)	1 1/4" (32 mm)	22,500 / 33,750	15*
Open Bottom w/ Gasket	PG1324BG12	53 (24.0 kg)	12" (305 mm)	10" (254 mm)	1 1/4" (32 mm)	22,500 / 33,750	15*
	PG1324BG18	72 (33 kg)	18" (457 mm)	16" (406 mm)	1 1/4" (32 mm)	22,500 / 33,750	15*
Open Bottom w/ 2 Mouseholes	PG1324BB12	53 (24.0 kg)	12" (305 mm)	10" (254 mm)	1 1/4" (32 mm)	22,500 / 33,750	15*
	PG1324BB18	72 (33.0 kg)	18" (457 mm)	16" (406 mm)	1 1/4" (32 mm)	22,500 / 33,750	15*
Solid Bottom	PG1324DA12	63 (28.6 kg)	12 1/2" (318mm)	10" (254 mm)	N/A	22,500 / 33,750	15*
	PG1324DA18	85 (39 kg)	18 1/2" (470 mm)	16" (406 mm)	N/A	22,500 / 33,750	15*
Solid Bottom w/ Gasket	PG1324DG12	63 (28.6 kg)	12 1/2" (318mm)	10" (254 mm)	N/A	22,500 / 33,750	15*
	PG1324DG18	85 (39 kg)	18 1/2" (470 mm)	16" (406 mm)	N/A	22,500 / 33,750	15*

* Loadings comply with ANSI/SCTE 77. These boxes meet and exceed ANSI Tier 15 test provisions.

Extensions (For use under box only, one per box. For grade adjustable extension see page 44.)

DESCRIPTION	PART NO.	WEIGHT #	DIMENSION D	DIMENSION E	DESIGN/TEST LOAD #	ANSI TIER
Open Bottom	PG1324EA08	25 (11.3 kg)	8 3/4" (222 mm)	1" (25 mm)	22,500 / 33,750	15*
Solid Bottom	PG1324RA08	35 (15.9 kg)	9 1/4" (235 mm)	N/A	22,500 / 33,750	15*

* Loadings comply with ANSI/SCTE 77. These extensions meet and exceed ANSI Tier 15 test provisions. Dimensions & weights in parentheses are metric equivalent.