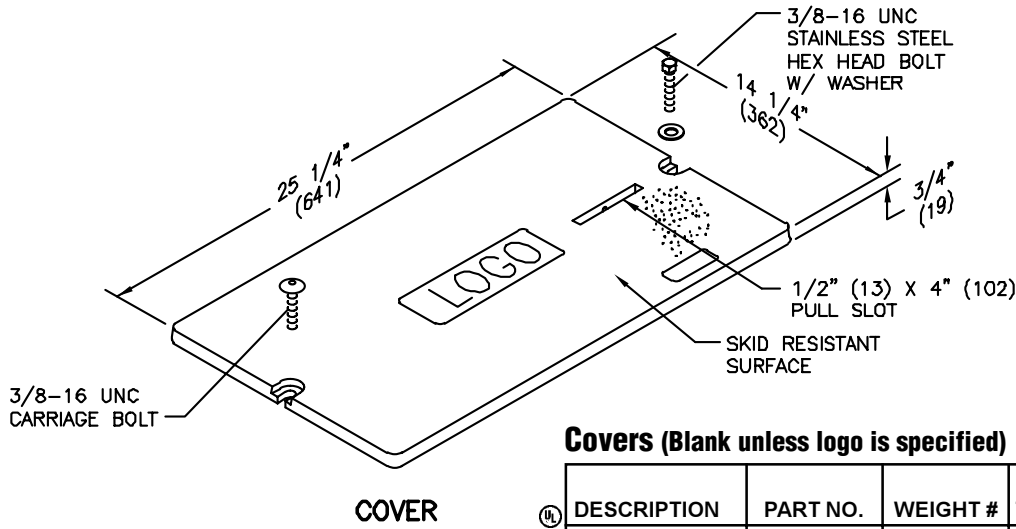


SPECIFICATIONS/DATA

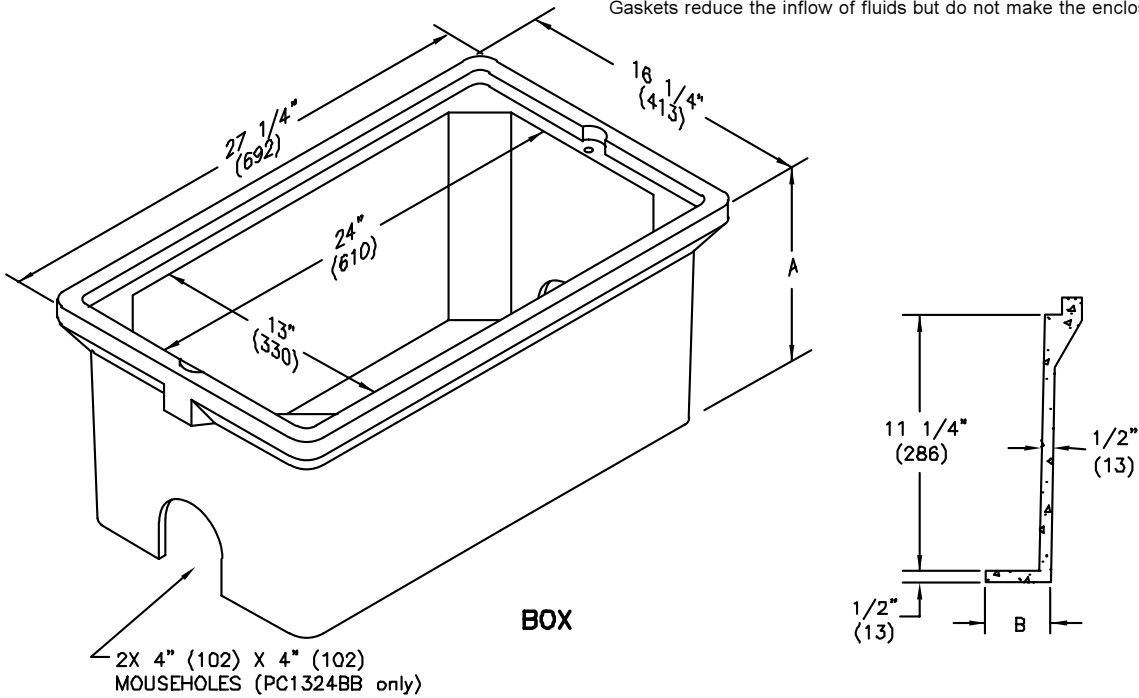
13" x 24" PC Style (Stackable) Assembly



Covers (Blank unless logo is specified)

DESCRIPTION	PART NO.	WEIGHT #	DESIGN/TEST LOAD #	ANSI TIER
W/2 Bolts	PC1324CA00	23 (10.4 kg)	5,000 / 7,500	5
Gasketed w/2 Bolts	PC1324CG00	23 (10.4 kg)	5,000 / 7,500	5
No Bolts	PC1324WA00	23 (10.4 kg)	5,000 / 7,500	5

• Gasketed covers and bolt grommets must be used with a gasketed box. Gaskets reduce the inflow of fluids but do not make the enclosure water tight.



Boxes (Stackable with self-aligning, replaceable EZ-Nut)

DESCRIPTION	PART NO.	WEIGHT #	DIMENSION A	DIMENSION B	DESIGN/TEST LOAD #	ANSI TIER
Open Bottom	PC1324BA12	50 (22.7 kg)	12" (305 mm)	N/A	5,000 / 7,500	5
Open Bottom w/Gasket	PC1324BG12	50 (22.7 kg)	12" (305 mm)	N/A	5,000 / 7,500	5
Open Bottom w/2 Mouseholes	PC1324BB12	50 (22.7 kg)	12" (305 mm)	N/A	5,000 / 7,500	5
Solid Bottom	PC1324DA12	60 (27.2 kg)	12 1/2" (318 mm)	N/A	5,000 / 7,500	5
Solid Bottom w/Gasket	PC1324DG12	60 (27.2 kg)	12 1/2" (318 mm)	N/A	5,000 / 7,500	5
Footed Box	PC1324JA12	57 (25.9 kg)	12 1/2" (318 mm)	2 7/8" (73 mm)	5,000 / 7,500	5

Dimensions & weights in parentheses are metric equivalent.