

SPECIFICATIONS/DATA

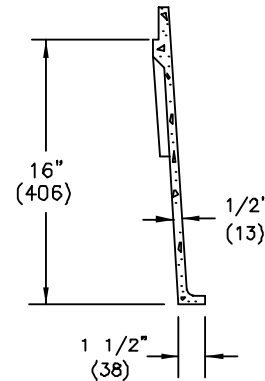
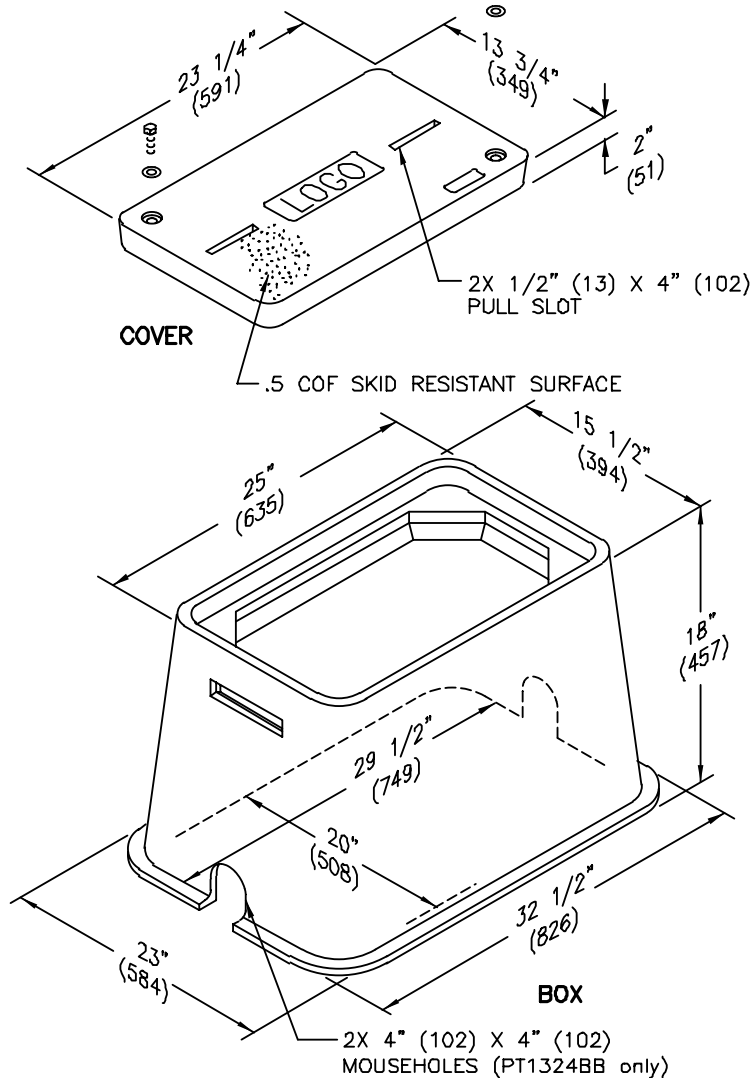
13" x 24" PT Style (Nestable) Assembly

Covers (Blank unless logo is specified)

DESCRIPTION	PART NO.	WEIGHT #	DESIGN/TEST LOAD #	ANSI TIER
Ⓛ W/2 Bolts	PT1234CA00	32 (14.5 kg)	8,000 / 12,000	8
Ⓛ Gasketed w/2 Bolts	PT1324CG00	32 (14.5 kg)	8,000 / 12,000	8
Ⓛ No Bolts	PT1324WA00	32 (14.5 kg)	8,000 / 12,000	8
Ⓛ Heavy Duty w/2 Bolts	PT1324HA00	49 (22.2 kg)	15,000 / 22,500	15
Ⓛ Gasketed Heavy Duty w/2 Bolts	PT1324HG00	49 (22.2 kg)	15,000 / 22,500	15

3/8-16 UNC
STAINLESS STEEL
HEX HEAD BOLT
W/ WASHER (2)

- Covers with meter lids available upon request.
- PT covers are PG covers with shorter bolts.
- Gasketed covers and bolt grommets must be used with a gasketed box. Gaskets reduce the inflow of fluids but do not make the enclosure water tight.



Boxes (Nestable)

DESCRIPTION	PART NO.	WEIGHT #	DESIGN/TEST LOAD #	ANSI TIER
Ⓛ Open Bottom	PT1324BA18	97 (44.0 kg)	15,000 / 22,500	15
Ⓛ Open Bottom w/Gasket	PT1324BG18	97 (44.0 kg)	15,000 / 22,500	15
Open Bottom w/2 Mouseholes	PT1324BB18	96 (43.5 kg)	15,000 / 22,500	15

Dimensions & weights in parentheses are metric equivalent.