

ADJUSTABLE SPAN WIRE SIGN BRACKETS-DOUBLE FACE



2079-SSB



2077-S



2096-20



2096-10



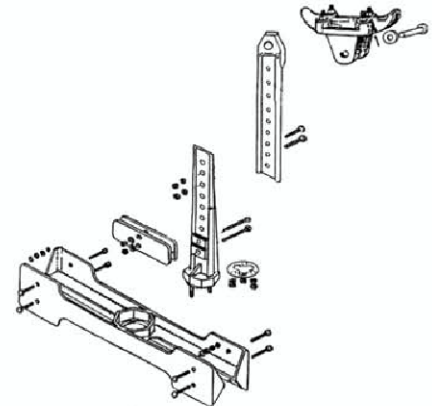
2075
Top



2075-T3



H-2096



2096-DF-10/DF-20-

2096-DF-10 2079-SSB, 2075 Top, 2075-T3, 2077-S, 2096-10 (10" Blade)

2096-DF-20 2079-SSB, 2075 Top, 2075-T3, 2077-S, 2096-20 (20" Blade)

www.multicominc.com

Multicom, Inc.
Ph: 800-423-2594
Fax: 407-339-0204

Email: multicom@multicominc.com