



**ENGINEERED  
CASTINGS**

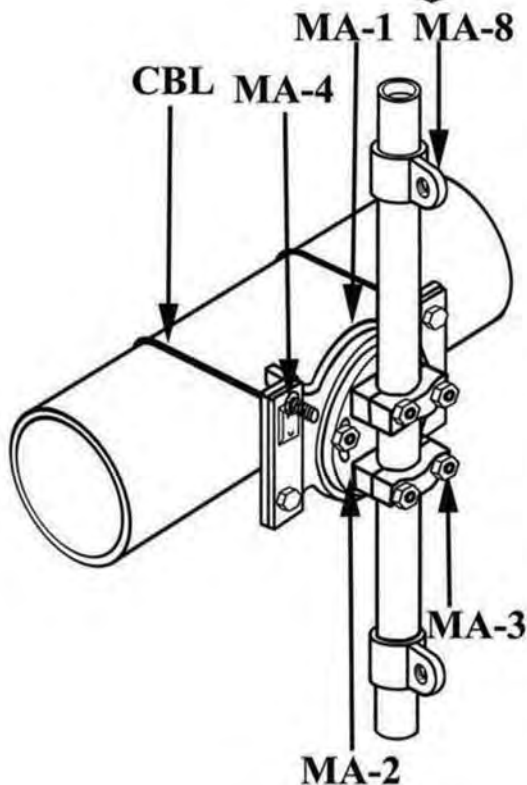
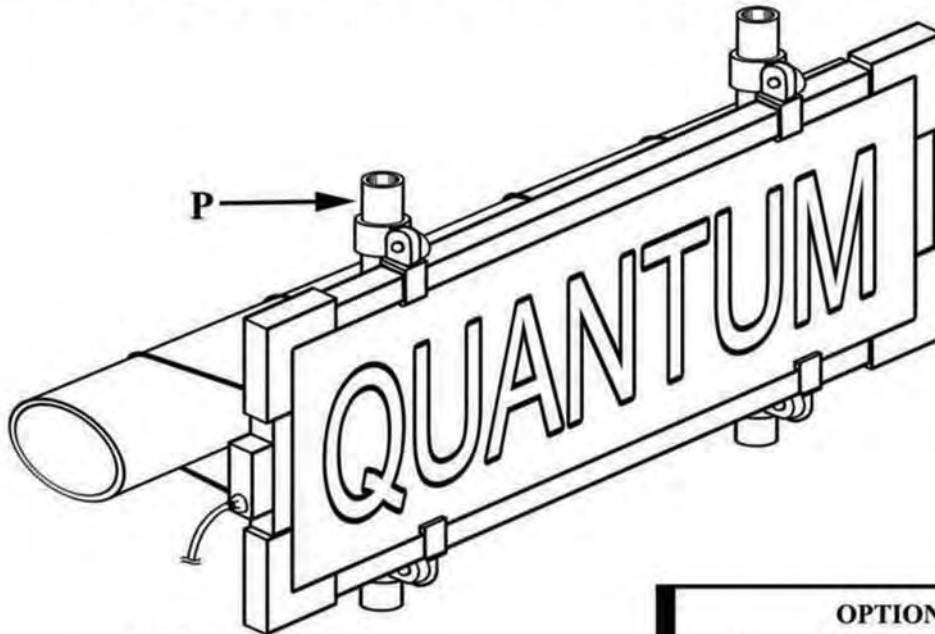
Manufacturer  
of  
Traffic Hardware  
and  
Led Edge Lit Illuminated Signs



www.multicominc.com/traffic  
800-423-2594

Table of Contents

# MASTER BRACKET ILLUMINATED SIGNS



## OPTIONS

CABLE LENGTH: 52", 80", 109", 120"

MA-1 MOUNTING BRACKET-ALUM

MA-2 ANGLE ADJUSTER-ALUM-STUDS CAST SS

MA-3 PIPE CLAMP- 2 EACH-ALUM

MA-4 CABLE CLAMP- 2 EACH-ALUM

MA-8 SWIVEL FITTING- 2 EACH-ALUM

CBL CABLE & THREADED FITTING SS- 2 EACH

P ALUMINUM PIPE

LARGE WASHERS, SMALL WASHERS, BOLTS AND NUTS ARE SS.