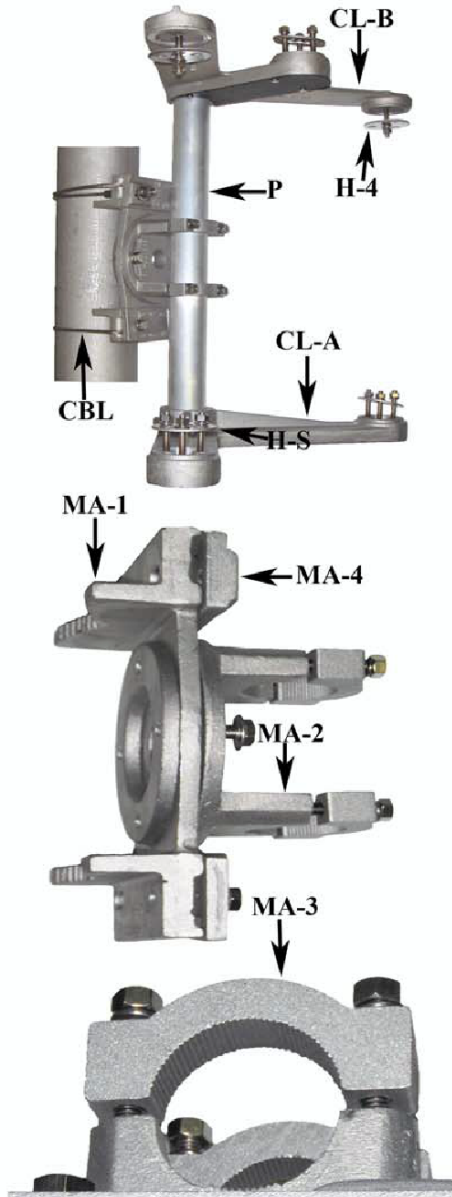


# MASTER BRACKET CLUSTER



## OPTIONS

CABLE LENGTH: 52", 80", 109", 120"

- MA-1 MOUNTING BRACKET-ALUMINUM
- MA-2 ANGLE ADJUSTER-ALUMINUM-STUDS CAST ARE STAINLESS STEEL
- MA-3 PIPE CLAMP SERRATED TO PREVENT SLIPPING ALUMINUM-2 EACH.
- MA-4 CABLE CLAMP-ALUMINUM-2 EACH
- CL-A CLUSTER BRACKET BOTTOM-ALUMINUM STUDS CAST ARE STAINLESS STEEL
- CL-B CLUSTER BRACKET TOP-ALUMINUM STUDS CAST ARE STAINLESS STEEL
- CBL CABLE AND THREADED FITTINGS-2 EACH STAINLESS STEEL
- HS SCALLOP WASHER-STAINLESS STEEL
- H-4 4 HOLE WASHER-STAINLESS STEEL
- P ALUMINUM PIPE

BOLTS AND NUTS ARE STAINLESS STEEL