

# ADJUSTABLE SPAN WIRE SIGN BRACKETS-DOUBLE FACE



**2079-SSB**



**2096-20**



**2077-S**



**2096-10**



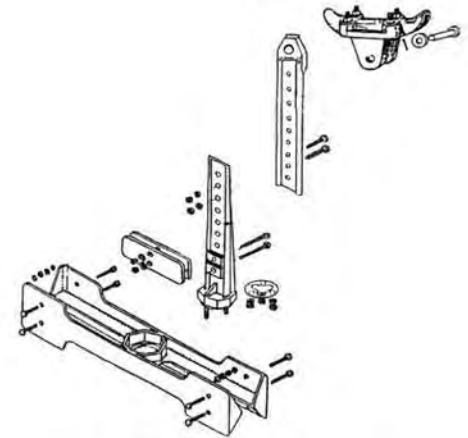
**2075  
Top**



**2075-T3**



**H-2096**



**2096-DF-10/DF-20-**

**2096-DF-10**      2079-SSB, 2075 Top, 2075-T3, 2077-S, 2096-10 (10" Blade)

**2096-DF-20**      2079-SSB, 2075 Top, 2075-T3, 2077-S, 2096-20 (20" Blade)