

LightLink™ LANSystem™ CNS012P - 12 Fiber Patch and Splice Panel



The unique design of the CNS012P incorporates a slide-out tray which provides access to the connectors/adapters and features a built-in splice chip that accommodates up to 48 single fusion splices. This design eliminates the cost and storage concerns of additional splice trays. In addition to the 48 single fusion splices, the CNS012P is designed to accommodate up to 12 terminations (standard density) or 24 fiber terminations (high density). The CNS012P provides a compact and versatile method of splicing and connectivity. Standard panels are available in empty, loaded and unloaded versions. Unloaded panels include six packs and adapters. Loaded panels also include pigtails (< 2 Meters).

Specifications

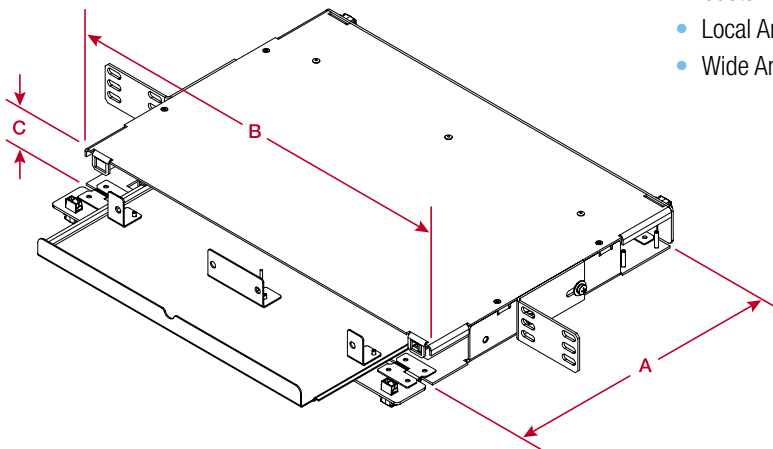
- Telcordia GR-63 NEBS tested
- Aluminum Material per ASTM B209
- Central Office White, Black, Texture Powder Coated
- Universal Mounting Bracket - WECO, EIA
- 19" and 23" rack compatible
- Fiber storage capacity - one meter per spliced fiber (3mm jacket)
- Integral splice tray in rear
- Two 118mm LGX® positions

Dimensions

DEPTH (A) IN INCHES	WIDTH (B) IN INCHES	HEIGHT (C) IN INCHES	RACK UNITS	FIBER CAPACITY
11	17	1.75	1	12/24

Applications

- Telecommunication Closets
- Data Centers
- Customer Premise
- Local Area Networks
- Wide Area Networks
- Central Offices
- Hubs
- Cabinets
- Remote Terminals



LGX is a registered trademark of Furukawa Electric North America, Inc.

Order From:



Toll Free: 800-423-2594
www.multicominc.com
multicom@multicominc.com

LightLink™ LANSystem™ CNS012P - 12 Fiber Patch and Splice Panel

Ordering Information

PART NUMBER	CONFIGURATION
1U PATCH AND SPLICE PANELS	
C215327	CNS012P – EMPTY
C215008	CNS012P with 12 USC (PB) adapters (2 Six Packs)118 LGX Internal Splice Tray
C215017	CNS012P with 12 PSC adapters (2 Six Packs)118 LGX Internal Splice Tray
C215332	CNS012P with 12 UST adapters (2 Six Packs)118 LGX Internal Splice Tray
C215053	CNS012P with 12 PST adapters (2 Six Packs)118 LGX Internal Splice Tray
FM000214	CNS012P with 6 UDL (dup) adapters (2 Three Packs) 118 LGX Internal Splice Tray (Blue)
FM000215	CNS012P with 6 PDL (dup) adapters (2 Three Packs) 118 LGX Internal Splice Tray (Beige)
C215350	CNS012P with 12 ASC adapters (2 Six Packs)118 LGX Internal Splice Tray
C215338	CNS012P with 12 UFC adapters (2 Six Packs)118 LGX Internal Splice Tray
C215345	CNS012P with 12 USC (ZR) adapters (2 Six Packs)118 LGX Internal Splice Tray
C215341	CNS012P with AFC adapters (2 Six Packs) 118 LGX Internal Splice Tray
C215356	CNS012P with ULC adapters (2 Six Packs) 118 LGX Internal Splice Tray
FM000056	CNS012P with 6 PSC & 6 USC adapters (2 Six Packs)118 LGX Internal Splice Tray
FM000216	CNS012P with 6 PSF (dup) adapters (2 Three Packs) 118 LGX Internal Splice Tray (Beige)
FM000217	CNS012P with 6 USF (dup) adapters (2 Three Packs) 118 LGX Internal Splice Tray (Blue)
FM000218	CNS012P with 6 ASF (dup) adapters (2 Three Packs) 118 LGX Internal Splice Tray (Green)
FM000219	CNS012P with 12 MTRJ adapters (2 Six Packs)118 LGX Internal Splice Tray
1U HIGH DENSITY PATCH AND SPLICE PANELS	
FM000220	CNS024HD with 24 UST adapters (2 Twelve Packs)118 LGX Internal Splice Tray
FM000221	CNS024HD with 24 PST adapters (2 Twelve Packs)118 LGX Internal Splice Tray
C215057	CNS024HD with 12 UDL (dup) adapters (2 Six Packs)118 LGX Internal Splice Tray
C215021	CNS024HD with 12 PSF (dup) adapters (2 Six Packs)118 LGX Internal Splice Tray
C215068	CNS024HD with 12 PDL (dup) adapters (2 Six Packs)118 LGX Internal Splice Tray
FM000222	CNS024HD with 12 USF (dup) adapters (2 Six Packs)118 LGX Internal Splice Tray
FM000223	CNS024HD with 12 ASF (dup) adapters (2 Six Packs)118 LGX Internal Splice Tray

Note: All MM cable is 62.5µm unless otherwise specified.

Accessories

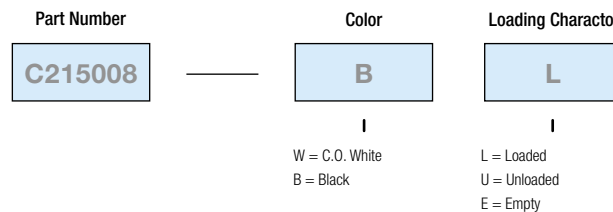
Description	Part Number
Cable Clamp (Black)	C214522
Cable Clamp (White)	C210850

Connector/Adapter Key

Type	Description
ASC	Angle Polish SC (ZR) sleeve-SM
ASF	Angle Polish SC Duplex (ZR) sleeve-SM
PSC	Physical Polish SC (PB) sleeve-MM
PSF	Physical Polish SC Duplex (PB) sleeve-MM
USC (PB)	Ultra Polish SC with (PB) sleeve-SM
USC (ZR)	Ultra Polish SC with (ZR) sleeve-SM
USF	Ultra Polish SC Duplex (ZR) sleeve-SM
PST	Physical Polish ST (PB) sleeve-MM
UST	Ultra Polish ST (ZR) sleeve-SM
AFC	Angle Polish FC (ZR) sleeve-SM
PFC	Physical Polish FC (PB) sleeve-MM
UFC	Ultra Polish FC (ZR) sleeve-SM
ADL	Angle Polish LC Duplex (ZR) sleeve-SM
PDL	Physical Polish LC Duplex (PB) sleeve-MM
PLC	Physical Polish LC (PB) sleeve-MM
UDL (ZR)	Ultra Polish LC Duplex (ZR) sleeve-SM
UDL (PB)	Ultra Polish LC Duplex (PB) sleeve-SM
ULC	Ultra Polish LC (ZR) sleeve-SM

Ordering Information

Select the seven digit part number of the panel you need, specify black or C.O. white, and choose the loading character desired.



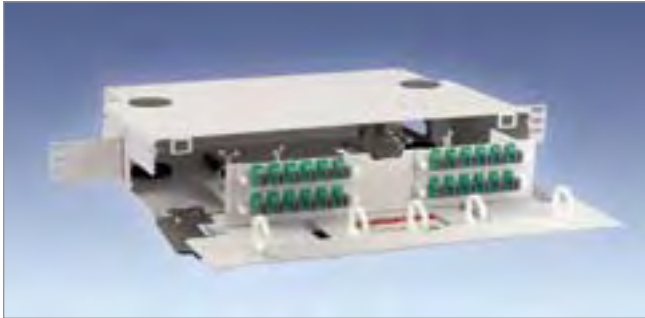
Example: Order number for a panel Black in color, loaded with, master plate, adapter plates, 12 USC adapters (2 six packs), pigtails with connectors, hardware, cable clamp.

Empty - Includes master plate, mounting hardware, cable clamp.

Unloaded - Includes master plate, adapter plates, adapters, splice tray (12, 24) / drawer (48 & up), hardware, cable clamp.

Loaded - Includes master plate, adapter plates, adapters, splice chip (12-24), pigtails with connectors, hardware, cable clamp.

LightLink™ LANSystem™ CNS024P - 24 Fiber Patch and Splice Panel



The unique design of the CNS024P incorporates a slide-out tray which provides access to the connectors/adapters and features a built-in splice chip that accommodates up to 48 single fusion splices. This design eliminates the cost and storage concerns of additional splice trays. In addition to the 48 single fusion splices, the CNS024P is designed to accommodate up to 24 terminations (standard density) or 48 fiber terminations (high density). The CNS024P provides a compact and versatile method of splicing and connectivity. Standard panels are available in empty, loaded and unloaded versions. Unloaded panels include six packs and adapters. Loaded panels also include pigtails (< 2 Meters).

Specifications

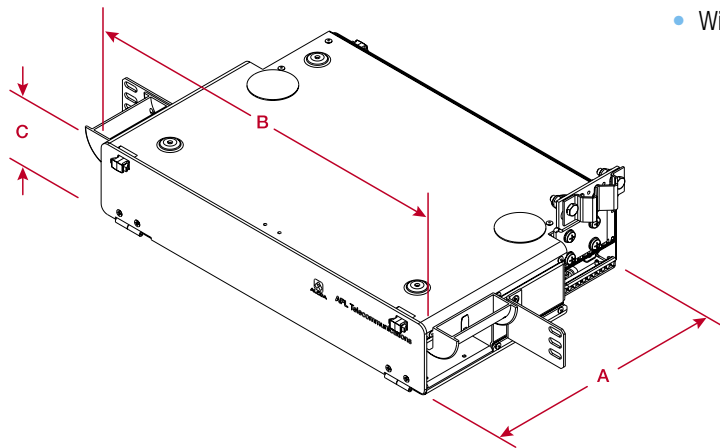
- Telcordia GR-63 NEBS tested
- Aluminum Material per ASTM B209
- Central Office White, Black, Texture Powder Coated
- Universal Mounting Bracket - WECO, EIA
- 19" and 23" rack compatible
- Fiber storage capacity - one meter per spliced fiber (3mm jacket)
- Four 118mm LGX® positions
- Integral splice tray in rear

Dimensions

DEPTH (A) IN INCHES	WIDTH (B) IN INCHES	HEIGHT (C) IN INCHES	RACK UNITS	FIBER CAPACITY
11	17	3.5	2	24/48

Applications

- Telecommunication Closets
- Data Centers
- Customer Premise
- Local Area Networks
- Wide Area Networks
- Central Offices
- Hubs
- Cabinets
- Remote Terminals



LGX is a registered trademark of Furukawa Electric North America, Inc.

LightLink™ LANSystem™ CNS024P - 24 Fiber Patch and Splice Panel

Ordering Information

PART NUMBER	CONFIGURATION
2U PATCH AND SPLICE PANELS	
C215158	CNS024P – EMPTY
C215086	CNS024P with 24 USC (PB) adapters (4 Six Packs) 118 LGX Internal Splice tray
C215093	CNS024P with 24 PSC adapters (4 Six Packs) 118 LGX Internal Splice tray
C215122	CNS024P with 24 UST adapters (4 Six Packs) 118 LGX Internal Splice tray
C215129	CNS024P with 24 PST adapters (4 Six Packs) 118 LGX Internal Splice tray
FM000224	CNS024P with 12 UDL (dup) adapters (4 three Packs)118 LGX Internal Splice tray
FM000225	CNS024P with 12 PDL (dup) adapters (4 three Packs)118 LGX Internal Splice tray
C215381	CNS024P with 24 ASC adapters (4 Six Packs) 118 LGX Internal Splice tray
C215368	CNS024P with 24 UFC adapters (4 Six Packs) 118 LGX Internal Splice tray
C215377	CNS024P with 24 USC (ZR) adapters (4 Six Packs) 118 LGX Internal Splice tray
C215374	CNS024P with 24 AFC adapters (4 Six Packs) 118 LGX Internal Splice tray
FM000226	CNS024P with 12 PSF (dup) adapters (4 three Packs)118 LGX Internal Splice tray
FM000227	CNS024P with 12 USF (dup) adapters (4 three Packs)118 LGX Internal Splice tray
FM000228	CNS024P with 12 ASF (dup) adapters (4 three Packs)118 LGX Internal Splice tray
FM000229	CNS024P with 24 MTRJ adapters (4 Six Packs) 118 LGX Internal Splice tray
2U HIGH DENSITY PATCH AND SPLICE PANELS	
FM000230	CNS048HD with 4 UST adapters (4 Twelve Packs)118 LGX Internal Splice Tray
FM000231	CNS048HD with 48 PST adapters (4 Twelve Packs)118 LGX Internal Splice Tray
C215134	CNS048HD with 24 UDL (dup) adapters (4 Six Packs) 118 LGX Internal Splice tray
C215098	CNS048HD with 24 PSF (dup) adapters (4 Six Packs) 118 LGX Internal Splice tray
C215143	CNS048HD with 24 PDL (dup) adapters (4 Six Packs) 118 LGX Internal Splice tray
FM000232	CNS048HD with 24 USF (dup) adapters (4 Six Packs) 118 LGX Internal Splice tray
FM000233	CNS048HD with 24 ASF (dup) adapters (4 Six Packs) 118 LGX Internal Splice tray

Note: All MM cable is 62.5µm unless otherwise specified.

Accessories

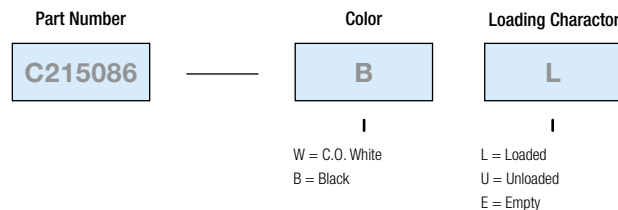
DESCRIPTION	PART NUMBER
Cable Clamp (Black)	C214522
Cable Clamp (White)	C210850

Connector/Adapter Key

TYPE	DESCRIPTION
ASC	Angle Polish SC (ZR) sleeve-SM
ASF	Angle Polish SC Duplex (ZR) sleeve-SM
PSC	Physical Polish SC (PB) sleeve-MM
PSF	Physical Polish SC Duplex (PB) sleeve-MM
USC (PB)	Ultra Polish SC with (PB) sleeve-SM
USC (ZR)	Ultra Polish SC with (ZR) sleeve-SM
USF	Ultra Polish SC Duplex (ZR) sleeve-SM
PST	Physical Polish ST (PB) sleeve-MM
UST	Ultra Polish ST (ZR) sleeve-SM
AFC	Angle Polish FC (ZR) sleeve-SM
PFC	Physical Polish FC (PB) sleeve-MM
UFC	Ultra Polish FC (ZR) sleeve-SM
ADL	Angle Polish LC Duplex (ZR) sleeve-SM
PDL	Physical Polish LC Duplex (PB) sleeve-MM
PLC	Physical Polish LC (PB) sleeve-MM
UDL (ZR)	Ultra Polish LC Duplex (ZR) sleeve-SM
UDL (PB)	Ultra Polish LC Duplex (PB) sleeve-SM
ULC	Ultra Polish LC (ZR) sleeve-SM

Ordering Information

Select the seven digit part number of the panel you need, specify black or C.O. white, and choose the loading character desired.



Example: Order number for a panel Black in color, loaded with, master plate, adapter plates, 24 USC adapters (4 six packs), splice chip (24-48), pigtails with connectors, hardware, cable clamp.

Empty - Includes master plate, mounting hardware, cable clamp.

Unloaded - Includes master plate, adapter plates, adapters, splice chip (24-48), hardware, cable clamp.

Loaded - Includes master plate, adapter plates, adapters, splice chip (24-48), pigtails with connectors, hardware, cable clamp.

LightLink™ LANSystem™ CNS048P - 48 Fiber Patch and Splice Panel



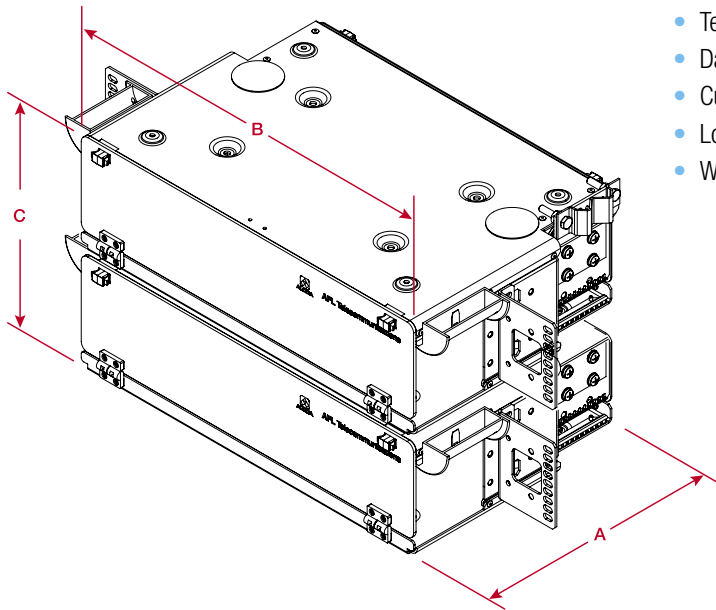
The CNS048P is a rack mountable fiber patch and splice panel designed to accommodate up to 48 fiber terminations (standard density) or 96 fiber terminations (high density) and up to 144 single fusion splices with optional STF-48 splice drawer. The CNS048P provides a compact and versatile method of splicing and connectivity. Standard panels are available in empty, loaded and unloaded versions. Unloaded panels include six packs, adapters and splice drawers. Loaded panels also include pigtails (<3 Meters).

Specifications

- Telcordia GR-63 NEBS tested
- Aluminum material per ASTM B209
- Central Office White, Black, Texture Powder Coated
- Universal Mounting Bracket - WECO, EIA
- 19" and 23" rack compatible
- Fiber storage capacity - one meter per spliced fiber (3mm jacket)
- Uses two STF-48 splice drawers
- Two panel package - 3U patch, 3U splice
- Nine 118mm LGX® positions

Dimensions

DEPTH (A) IN INCHES	WIDTH (B) IN INCHES	HEIGHT (C) IN INCHES	RACK UNITS	FIBER CAPACITY
11	17	10.5	6	48/96



Applications

- Telecommunication Closets
- Data Centers
- Customer Premise
- Local Area Networks
- Wide Area Networks
- Central Offices
- Hubs
- Cabinets
- Remote Terminals

LGX is a registered trademark of Furukawa Electric North America, Inc.

LightLink™ LANSystem™ CNS048P - 48 Fiber Patch and Splice Panel

Ordering Information

PART NO.	CONFIGURATION
6U PATCH AND SPLICE PANELS (1 - 3U PATCH, 1 - 3U SPLICE)	
C211534	CNS048P – EMPTY
C211543	CNS048P with 48 USC (PB) adapters (8 Six Packs) Splice Drawer (2 - 48 position) 118 LGX
C211552	CNS048P with 48 PSC adapters (8 Six Packs) Splice Drawer (2 - 48 position) 118 LGX
C211579	CNS048P with 48 UST adapters (8 Six Packs) Splice Drawer (2 - 48 position) 118 LGX
C211588	CNS048P with 48 PST adapters (8 Six Packs) Splice Drawer (2 - 48 position) 118 LGX
FM000234	CNS048P with 24 UDL (dup) adapters (8 Three Packs) Splice Drawer (2 - 48 position) 118 LGX
FM000235	CNS048P with 24 PDL (dup) adapters (8 Three Packs) Splice Drawer (2 - 48 position) 118 LGX
C210928	CNS048P with 48 ASC adapters (8 Six Packs) Splice Drawer (2 - 48 position) 118 LGX
C210913	CNS048P with 48 UFC adapters (8 Six Packs) Splice Drawer (2 - 48 position) 118 LGX
C210922	CNS048P with 48 USC (ZR) adapters (8 Six Packs) Splice Drawer (2 - 48 position) 118 LGX
C210917	CNS048P with AFC adapters (8 Six Packs) Splice Drawer (2 - 48 position) 118 LGX
C210931	CNS048P with ULC adapters (8 Six Packs) Splice Drawer (2 - 48 position) 118 LGX
FM000236	CNS048P with 24 PSF (dup) adapters (8 Three Packs) Splice Drawer (2 - 48 position) 118 LGX
FM000237	CNS048P with 24 USF (dup) adapters (8 Three Packs) Splice Drawer (2 - 48 position) 118 LGX
FM000238	CNS048P with 24 ASF (dup) adapters (8 Three Packs) Splice Drawer (2 - 48 position) 118 LGX
FM000239	CNS048P with 48 MTRJ adapters (8 Six Packs) Splice Drawer (2 - 48 position) 118 LGX
6U HIGH DENSITY PATCH AND SPLICE PANELS	
FM000240	CNS096HD with 96 UST adapters (8 Twelve Packs) Splice Drawer 2 - 48 position) 118 LGX
FM000241	CNS096HD with 96 PST adapters (8 Twelve Packs) Splice Drawer (2 - 48 position) 118 LGX
C211594	CNS096HD with 48 UDL (dup) adapters (8 Six Packs) Splice Drawer (2 - 48 position) 118 LGX
C211558	CNS096HD with 48 PSF (dup) adapters (8 Six Packs) Splice Drawer (2 - 48 position) 118 LGX
C211601	CNS096HD with 48 PDL (dup) adapters (8 Six Packs) Splice Drawer (2 - 48 position) 118 LGX
FM000242	CNS096HD with 48 USF (dup) adapters (8 Six Packs) Splice Drawer (2 - 48 position) 118 LGX
FM000243	CNS096HD with 48 ASF (dup) adapters (8 Six Packs) Splice Drawer (2 - 48 position) 118 LGX

Note: All MM cable is 62.5µm unless otherwise specified.

Accessories

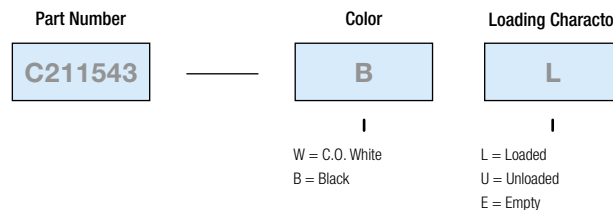
PART NO.	DESCRIPTION
C210850	Cable Clamp (White)
C214522	Cable Clamp (Black)
911442-00-00	Telescoping Splice Drawer

Connector/Adapter Key

TYPE	DESCRIPTION
ASC	Angle Polish SC (ZR) sleeve-SM
ASF	Angle Polish SC Duplex (ZR) sleeve-SM
PSC	Physical Polish SC (PB) sleeve-MM
PSF	Physical Polish SC Duplex (PB) sleeve-MM
USC (PB)	Ultra Polish SC with (PB) sleeve-SM
USC (ZR)	Ultra Polish SC with (ZR) sleeve-SM
USF	Ultra Polish SC Duplex (ZR) sleeve-SM
PST	Physical Polish ST (PB) sleeve-MM
UST	Ultra Polish ST (ZR) sleeve-SM
AFC	Angle Polish FC (ZR) sleeve-SM
PFC	Physical Polish FC (PB) sleeve-MM
UFC	Ultra Polish FC (ZR) sleeve-SM
ADL	Angle Polish LC Duplex (ZR) sleeve-SM
PDL	Physical Polish LC Duplex (PB) sleeve-MM
PLC	Physical Polish LC (PB) sleeve-MM
UDL (ZR)	Ultra Polish LC Duplex (ZR) sleeve-SM
UDL (PB)	Ultra Polish LC Duplex (PB) sleeve-SM
ULC	Ultra Polish LC (ZR) sleeve-SM

Ordering Information

Select the seven digit part number of the panel you need, specify black or C.O. white, and choose the loading character desired.



Example: Order number for a panel Black in color, loaded with, master plate, adapter plates, 48 USC adapters (8 six packs), splice drawer (48 & up), pigtails with connectors, hardware, cable clamp.

Empty - Includes master plate, mounting hardware, cable clamp.

Unloaded - Includes master plate, adapter plates, adapters, splice drawer (48 & up), hardware, cable clamp.

Loaded - Includes master plate, adapter plates, adapters, splice drawer (48 & up), pigtails with connectors, hardware, cable clamp.

LightLink™ LANSystem™ CNS072P - 72 Fiber Patch and Splice Panel



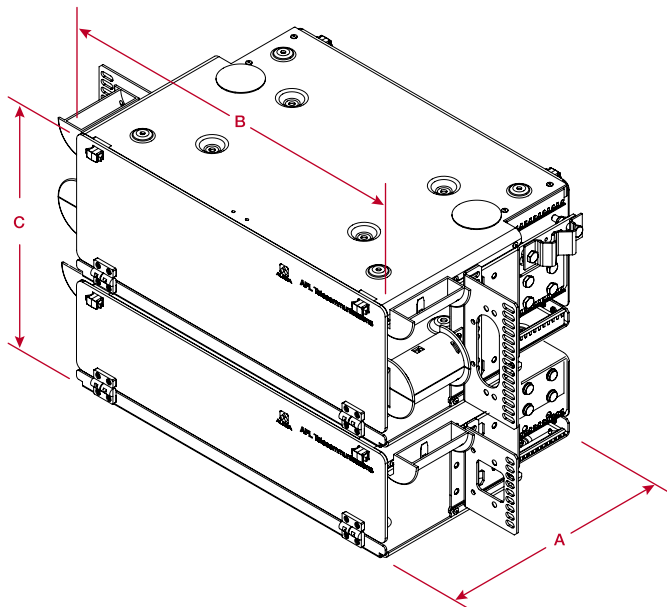
The CNS072P is a rack mountable fiber patch and splice panel designed to accommodate up to 72 fiber terminations (standard density) or 144 fiber terminations (high density) and up to 144 single fusion splices. The CNS072P provides a compact and versatile method of splicing and connectivity. Standard panels are available in empty, loaded and unloaded versions. Unloaded panels include adapter plates, adapters and splice drawers. Loaded panels also include pigtails (<3 Meters).

Specifications

- Telcordia GR-63 NEBS tested
- Aluminum Material per ASTM B209
- Central Office White, Black, Texture Powder Coated
- Universal Mounting Bracket - WECCO, EIA
- 19" and 23" rack compatible
- Fiber storage capacity - one meter per spliced fiber (3mm jacket)
- Uses three STF-48 splice drawers
- Two panel package - 4U patch, 3U splice
- Twelve 118mm LGX® positions
- 144 fiber (high density) version uses 130mm master plate

Dimensions

DEPTH (A) IN INCHES	WIDTH (B) IN INCHES	HEIGHT (C) IN INCHES	RACK UNITS	FIBER CAPACITY
11	17	12.25	7	72/144



Applications

- Telecommunication Closets
- Data Centers
- Customer Premise
- Local Area Networks
- Wide Area Networks
- Central Offices
- Hubs
- Cabinets
- Remote Terminals

LGX is a registered trademark of Furukawa Electric North America, Inc.

LightLink™ LANSystem™ CNS072P - 72 Fiber Patch and Splice Panel

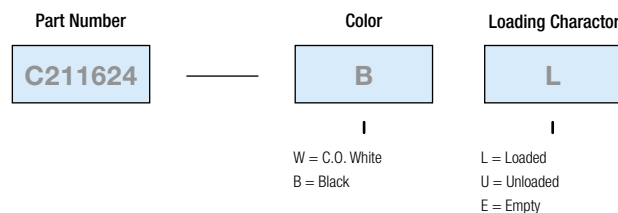
Standard Panel Ordering Information

PART NO.	CONFIGURATION
7U PATCH AND SPLICE PANELS (1 - 4U PATCH, 1 - 3U SPLICE)	
C211615	CNS072P – EMPTY 118 LGX
C210967	CNS072/96P – EMPTY 130 LGX
C211624	CNS072P with 72 USC (PB) adapters (12 Six Packs) Splice Drawers (3 - 48 position) 118 LGX
C211633	CNS072P with 72 PSC adapters (12 Six Packs) Splice Drawers (3 - 48 position) 118 LGX
C211660	CNS072P with 72 UST adapters (12 Six Packs) Splice Drawers (3 - 48 position) 118 LGX
C211669	CNS072P with 72 PST adapters (12 Six Packs) Splice Drawers (3 - 48 position) 118 LGX
FM000244	CNS072P with 36 UDL (dup) adapters (12 Three Packs) Splice Drawers (3 - 48 position) 118 LGX
FM000245	CNS072P with 36 PDL (dup) adapters (12 Three Packs) Splice Drawers (3 - 48 position) 118 LGX
C210958	CNS072P with 72 ASC adapters (12 Six Packs) Splice Drawers (3 - 48 position) 118 LGX
C210946	CNS072P with 72 UFC adapters (12 Six Packs) Splice Drawers (3 - 48 position) 118 LGX
C210953	CNS072P with 72 USC (ZR) adapters (12 Six Packs) Splice Drawers (3 - 48 position) 118 LGX
C210949	CNS072P with 72 AFC adapters (12 Six Packs) Splice Drawers (3 - 48 position) 118 LGX
C210964	CNS072P with 72 ULC adapters (12 Six Packs) Splice Drawers (3 - 48 position) 118 LGX
FM000246	CNS072P with 36 PSF (dup) adapters (12 Three Packs) Splice Drawers (3 - 48 position) 118 LGX
FM000247	CNS072P with 36 USF (dup) adapters (12 Three Packs) Splice Drawers (3 - 48 position) 118 LGX
FM000248	CNS072P with 36 ASF (dup) adapters (12 Three Packs) Splice Drawers (3 - 48 position) 118 LGX
FM000249	CNS072P with 72 MTRJ adapters (12 Six Packs) Splice Drawers (3 - 48 position) 118 LGX
7U HIGH DENSITY PATCH AND SPLICE PANELS (1 - 4U PATCH, 1 - 3U SPLICE)	
C211673	CNS144HD with 72 UDL (dup) adapters (12 Six Packs) Splice Drawers (3 - 48 position) 130 LGX
C211637	CNS144HD with 72 PSF (dup) adapters (12 Six Packs) Splice Drawers (3 - 48 position) 130 LGX
C211684	CNS144HD with 72 PDL (dup) adapters (12 Six Packs) Splice Drawers (3 - 48 position) 130 LGX
FM000250	CNS144HD with 72 USF (dup) adapters (12 Six Packs) Splice Drawers (3 - 48 position) 130 LGX
FM000251	CNS144HD with 72 ASF (dup) adapters (12 Six Packs) Splice Drawers (3 - 48 position) 130 LGX
FM000252	CNS144HD with 144 UST adapters (12 Twelve Packs) Splice Drawers (3 - 48 position) 118 LGX
FM000253	CNS144HD with 144 PST adapters (12 Twelve Packs) Splice Drawers (3 - 48 position) 118 LGX
FM000254	CNS144HD with 144 UFC adapters (12 Twelve Packs) Splice Drawers (3 - 48 position) 118 LGX
FM000255	CNS144HD with 144 USC adapters (12 Twelve Packs) Splice Drawers (3 - 48 position) 130 LGX
FM000256	CNS144HD with 144 ASC adapters (12 Twelve Packs) Splice Drawers (3 - 48 position) 130 LGX

Note: All MM cable is 62.5µm unless otherwise specified.

Ordering Information

Select the seven digit part number of the panel you need, specify black or C.O. white, and choose the loading character desired.



Example: Order number for a panel Black in color, loaded with, master plate, adapter plates, 72 USC adapters (12 six packs), splice drawer (48 & up), pigtails with connectors, hardware, cable clamp.

Empty - Includes master plate, mounting hardware, cable clamp.

Unloaded - Includes master plate, adapter plates, adapters, splice drawer (48 & up), hardware, cable clamp.

Loaded - Includes master plate, adapter plates, adapters, splice drawer (48 & up), pigtails with connectors, hardware, cable clamp.

Accessories

PART NO.	DESCRIPTION
C210850	Cable Clamp (White)
C214522	Cable Clamp (Black)
911442-00-00	Telescoping Splice Drawer

Connector/Adapter Key

TYPE	DESCRIPTION
ASC	Angle Polish SC (ZR) sleeve-SM
ASF	Angle Polish SC Duplex (ZR) sleeve-SM
PSC	Physical Polish SC (PB) sleeve-MM
PSF	Physical Polish SC Duplex (PB) sleeve-MM
USC (PB)	Ultra Polish SC with (PB) sleeve-SM
USC (ZR)	Ultra Polish SC with (ZR) sleeve-SM
USF	Ultra Polish SC Duplex (ZR) sleeve-SM
PST	Physical Polish ST (PB) sleeve-MM
UST	Ultra Polish ST (ZR) sleeve-SM
AFC	Angle Polish FC (ZR) sleeve-SM
PFC	Physical Polish FC (PB) sleeve-MM
UFC	Ultra Polish FC (ZR) sleeve-SM
ADL	Angle Polish LC Duplex (ZR) sleeve-SM
PDL	Physical Polish LC Duplex (PB) sleeve-MM
PLC	Physical Polish LC (PB) sleeve-MM
UDL (ZR)	Ultra Polish LC Duplex (ZR) sleeve-SM
UDL (PB)	Ultra Polish LC Duplex (PB) sleeve-SM
ULC	Ultra Polish LC (ZR) sleeve-SM

