

## LightLink™ LANSystem™ CON012P Fiber Termination Patch Panel



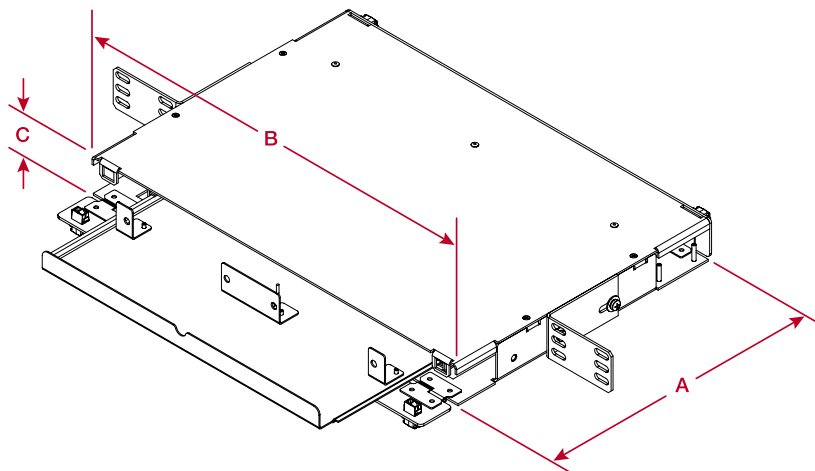
### Features

- Fits comfortably into new and existing interconnect, cross-connect, customer premise, and co-location environments
- Various connector styles and types available
- Compatible with industry standard equipment frames
- LGX® compatible master plate (118mm)
- Modular design
- Provides maximum protection of optical components
- Slide-out tray for connector access

The CON012P Fiber Termination Panel is used where termination and connectivity of up to 12 fibers (standard density) or 24 fibers (high density) is desired. The panel design is based on a 1 rack unit height with a master plate to accommodate 2 LGX® compatible adapter plates or modules. Standard panels are available in empty, loaded and preterminated versions. Loaded panels include adapters and adapter plates. Preterminated panels include adapters, adapter plates and standard 12 fiber OFNR cable. The fiber stub for preterminated panels exits the right rear of the unit facing up.

### Dimensions

DEPTH (A) IN INCHES	WIDTH (B) IN INCHES	HEIGHT (C) IN INCHES	RACK UNITS	FIBER CAPACITY	UNLOADED WEIGHT	MATERIAL GAUGE
11	17	1.75	1	12/24	4.02 lbs.	2.03 mm



### Applications

- Telecommunication Closets
- Data Centers
- Customer Premise
- Local Area Networks
- Wide Area Networks
- Central Offices
- Hubs
- Cabinets
- Remote Terminals

### Specifications

- Telcordia GR-63 NEBS Tested
- Aluminum Material per ASTM B209
- Black or White Texture Powder Coated
- Universal Mounting Bracket WECO, EIA
- 19" and 23" Rack Compatible

LGX is a registered trademark of Furukawa Electric North America, Inc.

# LightLink™ LANSystem™ CON012P Fiber Termination Patch Panel

## Ordering Information

PART NUMBER	CONFIGURATION
<b>1 RU PATCH PANELS</b>	
C215327	CNS012P – EMPTY
C211133	CON012P with 12 USC (PB) adapters (2 Six Packs) 118 LGX (Blue)
C211144	CON012P with 12 PSC adapters (2 Six Packs) 118 LGX (Beige)
C211169	CON012P with 12 UST adapters (2 Six Packs) 118 LGX
C211180	CON012P with 12 PST adapters (2 Six Packs) 118 LGX
FM000161	CON012P with 6 UDL (dup) adapters (2 Three Packs) 118 LGX (Blue)
FM000162	CON012P with 6 PDL (dup) adapters (2 Three Packs) 118 LGX (Beige)
C213874	CON012P with 12 ASC adapters (2 Six Packs) 118 LGX (Green)
C213862	CON012P with 12 UFC adapters (2 Six Packs) 118 LGX
C213869	CON012P with 12 USC (ZR) adapters (2 Six Packs) 118 LGX (Blue)
C213865	CON012P with 12 AFC adapters (2 Six Packs) 118 LGX
C213880	CON012P with 12 ULC adapters (2 Six Packs) 118 LGX
FM000163	CON012P with 6 PSF (dup) adapters (2 Three Packs) 118 LGX (Beige)
FM000164	CON012P with 6 USF (dup) adapters (2 Three Packs) 118 LGX (Blue)
FM000165	CON012P with 6 ASF (dup) adapters (2 Three Packs) 118 LGX (Green)
FM000166	CON012P with 12 MTRJ adapters (2 Six Packs) 118 LGX
<b>1 RU HIGH DENSITY PATCH PANELS</b>	
FM000167	CON024HD with 24 UST adapters (2 Twelve Packs) 118 LGX 24 Fibers
FM000168	CON024HD with 24 PST adapters (2 Twelve Packs) 118 LGX 24 Fibers
C211183	CON024HD with 12 UDL (dup) adapters (2 Six Packs) 118 LGX 24 Fibers
C211147	CON024HD with 12 PSF (dup) adapters (2 Six Packs) 118 LGX 24 Fibers
C211192	CON024HD with 12 PDL (dup) adapters (2 Six Packs) 118 LGX 24 Fibers
FM000169	CON024HD with 12 USF (dup) adapters (2 Six Packs) 118 LGX 24 Fibers
FM000170	CON024HD with 12 ASF (dup) adapters (2 Six Packs) 118 LGX 24 Fibers

**Note:** All MM cable is 62.5µm unless otherwise specified.

## Accessories

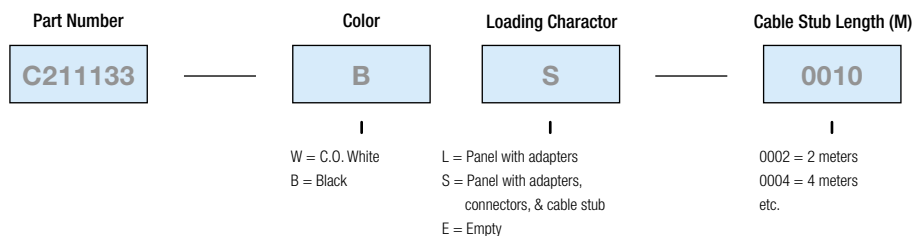
DESCRIPTION	PART NUMBER
Cable Clamp (White)	C210850
Cable Clamp (Black)	C214522

## Connector/Adapter Key

TYPE	DESCRIPTION
ASC	Angle Polish SC (ZR) sleeve-SM
ASF	Angle Polish SC Duplex (ZR) sleeve-SM
PSC	Physical Polish SC (PB) sleeve-MM
PSF	Physical Polish SC Duplex (PB) sleeve-MM
USC (PB)	Ultra Polish SC with (PB) sleeve-SM
USC (ZR)	Ultra Polish SC with (ZR) sleeve-SM
USF	Ultra Polish SC Duplex (ZR) sleeve-SM
PST	Physical Polish ST (PB) sleeve-MM
UST	Ultra Polish ST (ZR) sleeve-SM
AFC	Angle Polish FC (ZR) sleeve-SM
PFC	Physical Polish FC (PB) sleeve-MM
UFC	Ultra Polish FC (ZR) sleeve-SM
ADL	Angle Polish LC Duplex (ZR) sleeve-SM
PDL	Physical Polish LC Duplex (PB) sleeve-MM
PLC	Physical Polish LC (PB) sleeve-MM
UDL (ZR)	Ultra Polish LC Duplex (ZR) sleeve-SM
UDL (PB)	Ultra Polish LC Duplex (PB) sleeve-SM
ULC	Ultra Polish LC (ZR) sleeve-SM

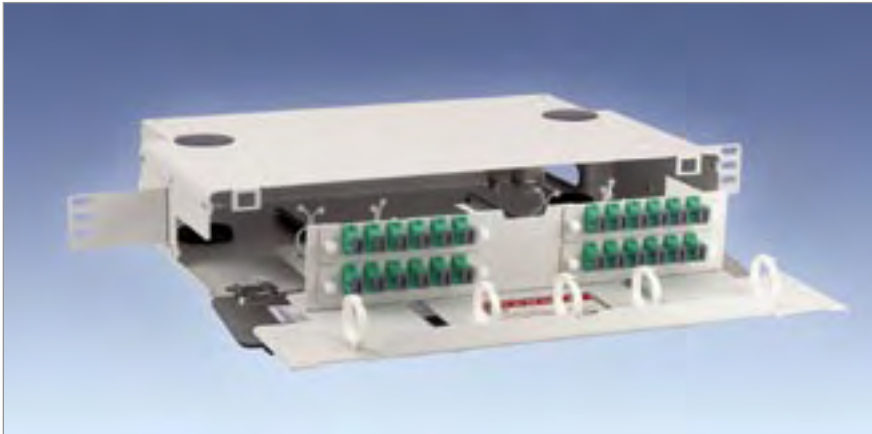
## Ordering Information

Select the seven digit part number of the panel you need, specify black or C.O. white, and choose the loading character desired. When ordering stubbed (S), enter the cable stub length required in meters. Standard stub is Circular Premise Cable (CPC).



**Example:** Order number for a panel Black in color, loaded with 12 USC adapters (2 six packs), connectors and a cable stub 10 meters in length.

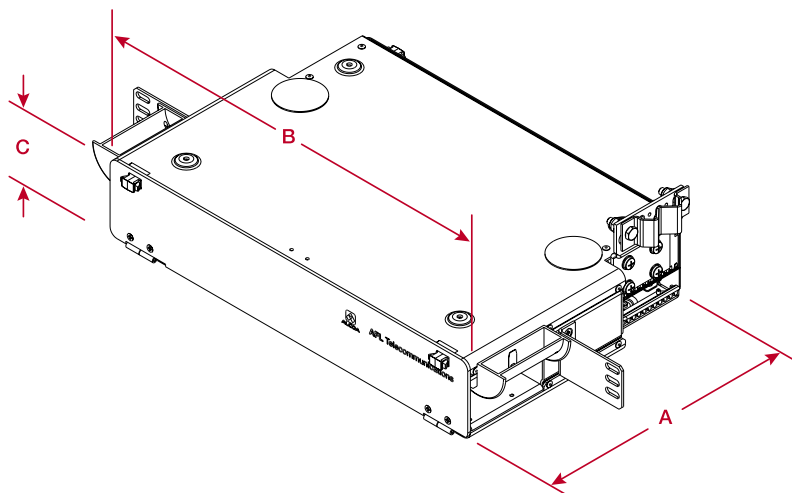
## LightLink™ LANSystem™ CON024P Fiber Termination Patch Panel



The CON024P Fiber Termination Panel is used where termination and connectivity of up to 24 fibers (standard density) or 48 fibers (high density) is desired. The panel design is based on a 2 rack unit height with a master plate to accommodate 4 LGX® compatible adapter plates or modules. Standard panels are available in empty, loaded and preterminated versions. Loaded panels include adapters and adapter plates. Preterminated panels include adapters, adapter plates and standard 24 fiber OFNR cable. The fiber stub for preterminated panels exits the right rear of the unit facing up.

### Dimensions

DEPTH (A) IN INCHES	WIDTH (B) IN INCHES	HEIGHT (C) IN INCHES	RACK UNITS	FIBER CAPACITY	UNLOADED WEIGHT	MATERIAL GAUGE
11	17	3.5	2	24/48	6.2 lbs.	2.03 mm



LGX is a registered trademark of Furukawa Electric North America, Inc.

### Features

- Fits comfortably into new and existing interconnect, cross-connect, customer premise, and co-location environments
- Various connector styles and types available
- Compatible with industry standard equipment frames
- LGX® compatible master plate (118mm)
- Modular design
- Provides maximum protection of optical components
- Slide-out tray for connector access

### Applications

- Telecommunication Closets
- Data Centers
- Customer Premise
- Local Area Networks
- Wide Area Networks
- Central Offices
- Hubs
- Cabinets
- Remote Terminals

### Specifications

- Telcordia GR-63 NEBS Tested
- Aluminum Material per ASTM B209
- Black or White Texture Powder Coated
- Universal Mounting Bracket WECCO, EIA
- 19" and 23" Rack Compatible

Order From:



Toll Free: 800-423-2594  
www.multicominc.com  
multicom@multicominc.com

# LightLink™ LANSystem™ CON024P Fiber Termination Patch Panel

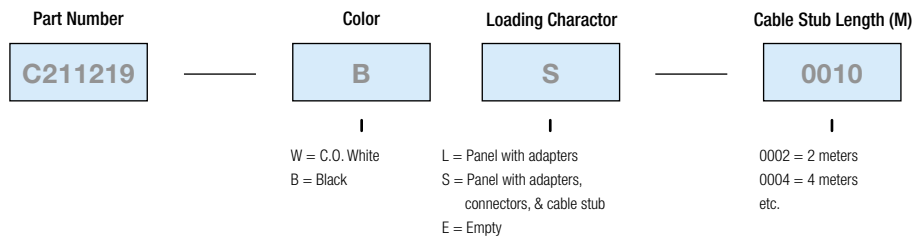
## Ordering Information

PART NUMBER	CONFIGURATION
<b>2 RU PATCH PANELS</b>	
C215158	CNS024P – EMPTY
C211219	CON024P with 24 USC (PB) adapters (4 Six Packs) 118 LGX (Blue)
C211228	CON024P with 24 PSC adapters (4 Six Packs) 118 LGX (Beige)
C211255	CON024P with 24 UST adapters (4 Six Packs) 118 LGX
C211264	CON024P with 24 PST adapters (4 Six Packs) 118 LGX
FM000171	CON024P with 12 UDL (dup) adapters (4 Three Packs) 118 LGX (Blue)
FM000172	CON024P with 12 PDL (dup) adapters (4 Three Packs) 118 LGX (Beige)
C213901	CON024P with 24 ASC adapters (4 Six Packs) 118 LGX (Green)
C213887	CON024P with 24 UFC adapters (4 Six Packs) 118 LGX
C213898	CON024P with 24 USC (ZR) adapters (4 Six Packs) 118 LGX (Blue)
C213892	CON024P with 24 AFC adapters (4 Six Packs) 118 LGX
C213905	CON024P with 24 ULC adapters (4 Six Packs) 118 LGX
FM000173	CON024P with 12 PSF (dup) adapters (4 Three Packs) 118 LGX (Beige)
FM000174	CON024P with 12 USF (dup) adapters (4 Three Packs) 118 LGX (Blue)
FM000175	CON024P with 12 ASF (dup) adapters (4 Three Packs) 118 LGX (Green)
FM000176	CON024P with 24 MTRJ adapters (4 Six Packs) 118 LGX (Blue)
<b>2 RU HIGH DENSITY PATCH PANELS</b>	
FM000177	CON048HD with 48 UST adapters (4 Twelve Packs) 118 LGX 48 Fibers
FM000178	CON048HD with 48 PST adapters (4 Twelve Packs) 118 LGX 48 Fibers
C211270	CON048HD with 24 UDL (dup) adapters (4 Six Packs) 118 LGX 48 Fibers
C211234	CON048HD with 24 PSF (dup) adapters (4 Six Packs) 118 LGX 48 Fibers
C211277	CON048HD with 24 PDL (dup) adapters (4 Six Packs) 118 LGX 48 Fibers
FM000179	CON048HD with 24 USF (dup) adapters (4 Six Packs) 118 LGX 48 Fibers
FM000180	CON048HD with 24 ASF (dup) adapters (4 Six Packs) 118 LGX 48 Fibers

**Note:** All MM cable is 62.5µm unless otherwise specified.

## Ordering Information

Select the seven digit part number of the panel you need, specify black or C.O. white, and choose the loading character desired. When ordering stubbed (S), enter the cable stub length required in meters.



**Example:** Order number for a panel Black in color, loaded with 24 USC adapters (4 six packs), connectors and a cable stub 10 meters in length.

## Accessories

DESCRIPTION	PART NUMBER
Cable Clamp (White)	C210850
Cable Clamp (Black)	C214522

## Connector/Adapter Key

TYPE	DESCRIPTION
ASC	Angle Polish SC (ZR) sleeve-SM
ASF	Angle Polish SC Duplex (ZR) sleeve-SM
PSC	Physical Polish SC (PB) sleeve-MM
PSF	Physical Polish SC Duplex (PB) sleeve-MM
USC (PB)	Ultra Polish SC with (PB) sleeve-SM
USC (ZR)	Ultra Polish SC with (ZR) sleeve-SM
USF	Ultra Polish SC Duplex (ZR) sleeve-SM
PST	Physical Polish ST (PB) sleeve-MM
UST	Ultra Polish ST (ZR) sleeve-SM
AFC	Angle Polish FC (ZR) sleeve-SM
PFC	Physical Polish FC (PB) sleeve-MM
UFC	Ultra Polish FC (ZR) sleeve-SM
ADL	Angle Polish LC Duplex (ZR) sleeve-SM
PDL	Physical Polish LC Duplex (PB) sleeve-MM
PLC	Physical Polish LC (PB) sleeve-MM
UDL (ZR)	Ultra Polish LC Duplex (ZR) sleeve-SM
UDL (PB)	Ultra Polish LC Duplex (PB) sleeve-SM
ULC	Ultra Polish LC (ZR) sleeve-SM

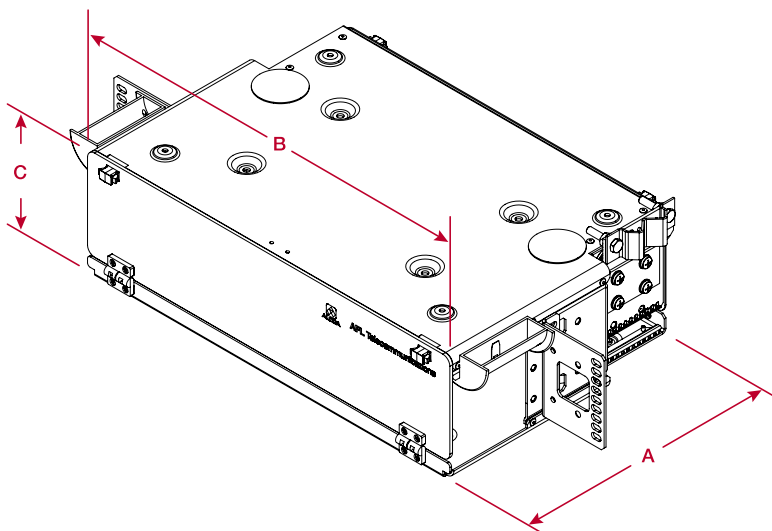
## LightLink™ LANSystem™ CON048P Fiber Termination Patch Panel



The CON048P Fiber Termination Panel is used where termination and connectivity of up to 48 fibers (standard density) or 96 fibers (high density) is desired. The panel design is based on a 3 rack unit height with a master plate to accommodate 9 LGX® compatible adapter plates or modules. Standard panels are available in empty, loaded and preterminated versions. Loaded panels include adapters and adapter plates. Preterminated panels include adapters, adapter plates and standard 48 fiber OFNR cable. The fiber stub for preterminated panels exits the right rear of the unit facing up.

### Dimensions

DEPTH (A) IN INCHES	WIDTH (B) IN INCHES	HEIGHT (C) IN INCHES	RACK UNITS	FIBER CAPACITY	UNLOADED WEIGHT	MATERIAL GAUGE
11	17	5.25	3	54/108	8.4 lbs.	2.03 mm



LGX is a registered trademark of Furukawa Electric North America, Inc.

### Features

- Fits comfortably into new and existing interconnect, cross-connect, customer premise, and co-location environments
- Various connector styles and types available
- Compatible with industry standard equipment frames
- LGX® compatible master plate (118mm)
- Modular design
- Provides maximum protection of optical components

### Applications

- Telecommunication Closets
- Data Centers
- Customer Premise
- Local Area Networks
- Wide Area Networks
- Central Offices
- Hubs
- Cabinets
- Remote Terminals

### Specifications

- Telcordia GR-63 NEBS Tested
- Aluminum Material per ASTM B209
- Black or White Texture Powder Coated
- Universal Mounting Bracket WECCO, EIA
- 19" and 23" Rack Compatible

Order From:



Toll Free: 800-423-2594  
www.multicominc.com  
multicom@multicominc.com

# LightLink™ LANSystem™ CON048P Fiber Termination Patch Panel

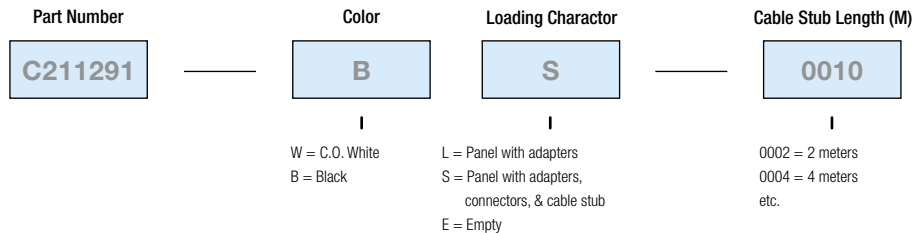
## Ordering Information

PART NUMBER	CONFIGURATION
<b>3 RU PATCH PATCH PANELS</b>	
C211291	CON048P – EMPTY
C211300	CON048P with 48 USC (PB) adapters (8 Six Packs) 118 LGX (Blue)
C211309	CON048P with 48 PSC adapters (8 Six Packs) 118 LGX (Beige)
C211336	CON048P with 48 UST adapters (8 Six Packs) 118 LGX
C211345	CON048P with 48 PST adapters (8 Six Packs) 118 LGX
FM000181	CON048P with 24 UDL (dup) adapters (8 Three Packs) 118 LGX (Blue)
FM000182	CON048P with 24 PDL (dup) adapters (8 Three Packs) 118 LGX (Beige)
C213928	CON048P with 48 ASC adapters (8 Six Packs) 118 LGX (Green)
C213916	CON048P with 48 UFC adapters (8 Six Packs) 118 LGX
C213923	CON048P with 48 USC (ZR) adapters (8 Six Packs) 118 LGX (Blue)
C213919	CON048P with 48 AFC adapters (8 Six Packs) 118 LGX
C213934	CON048P with 48 ULC adapters (8 Six Packs) 118 LGX
FM000183	CON048P with 24 PSF (dup) adapters (8 Three Packs) 118 LGX (Beige)
FM000184	CON048P with 24 USF (dup) adapters (8 Three Packs) 118 LGX (Blue)
FM000185	CON048P with 24 ASF (dup) adapters (8 Three Packs) 118 LGX (Green)
FM000186	CON048P with 48 MTRJ adapters (8 Six Packs) 118 LGX (Blue)
<b>3 RU HIGH DENSITY PATCH PANELS</b>	
FM000187	CON096HD with 96 UST adapters (8 Twelve Packs) 118 LGX 96 Fibers
FM000188	CON096HD with 96 PST adapters (8 Twelve Packs) 118 LGX 96 Fibers
C211349	CON096HD with 48 UDL (dup) adapters (8 Six Packs) 118 LGX 96 Fibers
C211313	CON096HD with 48 PSF (dup) adapters (8 Six Packs) 118 LGX 96 Fibers
C211360	CON096HD with 48 PDL (dup) adapters (8 Six Packs) 118 LGX 96 Fibers
FM000189	CON096HD with 48 USF (dup) adapters (8 Six Packs) 118 LGX 96 Fibers
FM000190	CON096HD with 48 ASF (dup) adapters (8 Six Packs) 118 LGX 96 Fibers

**Note:** All MM cable is 62.5µm unless otherwise specified.

## Ordering Information

Select the seven digit part number of the panel you need, specify black or C.O. white, and choose the loading character desired. When ordering stubbed (S), enter the cable stub length required in meters.



**Example:** Order number for a panel Black in color, loaded with 48 USC adapters (8 six packs), connectors and a cable stub 10 meters in length.

## Accessories

DESCRIPTION	PART NUMBER
Cable Clamp (Black)	C214522
Cable Clamp (White)	C210850

## Connector/Adapter Key

TYPE	DESCRIPTION
ASC	Angle Polish SC (ZR) sleeve-SM
ASF	Angle Polish SC Duplex (ZR) sleeve-SM
PSC	Physical Polish SC (PB) sleeve-MM
PSF	Physical Polish SC Duplex (PB) sleeve-MM
USC (PB)	Ultra Polish SC with (PB) sleeve-SM
USC (ZR)	Ultra Polish SC with (ZR) sleeve-SM
USF	Ultra Polish SC Duplex (ZR) sleeve-SM
PST	Physical Polish ST (PB) sleeve-MM
UST	Ultra Polish ST (ZR) sleeve-SM
AFC	Angle Polish FC (ZR) sleeve-SM
PFC	Physical Polish FC (PB) sleeve-MM
UFC	Ultra Polish FC (ZR) sleeve-SM
ADL	Angle Polish LC Duplex (ZR) sleeve-SM
PDL	Physical Polish LC Duplex (PB) sleeve-MM
PLC	Physical Polish LC (PB) sleeve-MM
UDL (ZR)	Ultra Polish LC Duplex (ZR) sleeve-SM
UDL (PB)	Ultra Polish LC Duplex (PB) sleeve-SM
ULC	Ultra Polish LC (ZR) sleeve-SM



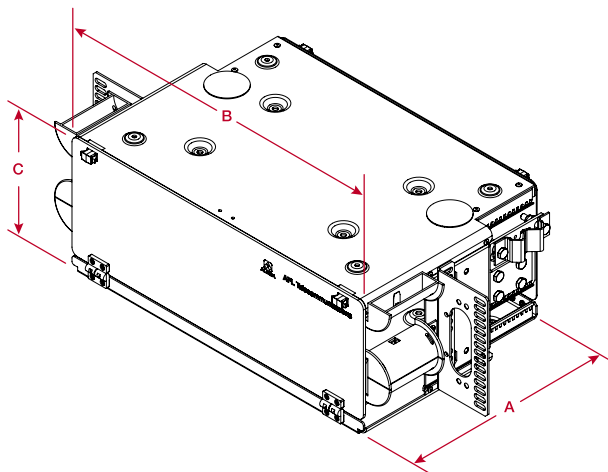
## LightLink™ LANSystem™ CON072P Fiber Termination Patch Panel



The CON072P Fiber Termination Panel is used where termination and connectivity of up to 72 fibers (standard density) or 144 fibers (high density) is desired. The panel design is based on a 4 rack unit height with a master plate to accommodate 12 LGX® compatible adapter plates or modules. Standard panels are available in empty, loaded and preterminated versions. Loaded panels include adapters and adapter plates. Preterminated panels include adapters, adapter plates and standard 72 fiber OFNR cable. The fiber stub for preterminated panels exits the right rear of the unit facing up.

### Dimensions

DEPTH (A) IN INCHES	WIDTH (B) IN INCHES	HEIGHT (C) IN INCHES	RACK UNITS	FIBER CAPACITY	UNLOADED WEIGHT	MATERIAL GAUGE
11	17	7	4	72/144	9 lbs.	2.03 mm



LGX is a registered trademark of Furukawa Electric North America, Inc.

### Features

- Fits comfortably into new and existing interconnect, cross-connect, customer premise, and co-location environments
- Various connector styles and types available
- Compatible with industry standard equipment frames
- LGX® compatible master plate and footprint (118mm or 130mm)
- Modular design
- Provides maximum protection of optical components
- Available with I/O loose tube stub

### Applications

- Telecommunication Closets
- Data Centers
- Customer Premise
- Local Area Networks
- Wide Area Networks
- Central Offices
- Hubs
- Cabinets
- Remote Terminals

### Specifications

- Telcordia GR-63 NEBS Tested
- Aluminum Material per ASTM B209
- White or Black Texture Powder Coated
- Universal Mounting Bracket WECO, EIA
- 19" and 23" Rack Compatible
- 144 fiber (high density) version uses 130mm master plate

# LightLink™ LANSystem™ CON072P Fiber Termination Patch Panel

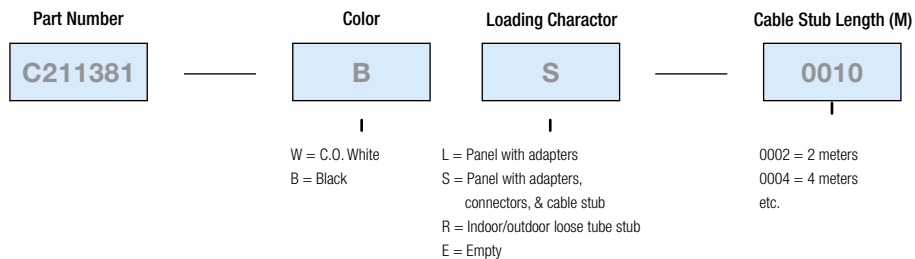
## Ordering Information

PART NUMBER	CONFIGURATION
<b>4 RU PATCH PANELS</b>	
C211372	CON072P – EMPTY 118 LGX
FM000344	CON072/96P – EMPTY 130 LGX
C211381	CON072P with 72 USC (PB) adapters (12 Six Packs) 118 LGX (Blue)
C211390	CON072P with 72 PSC adapters (12 Six Packs) 118 LGX (Beige)
C211417	CON072P with 72 UST adapters (12 Six Packs) 118 LGX
C211426	CON072P with 72 PST adapters (12 Six Packs) 118 LGX
FM000191	CON072P with 36 UDL (dup) adapters (12 Three Packs) 118 LGX (Blue)
FM000192	CON072P with 36 PDL (dup) adapters (12 Three Packs) 118 LGX (Beige)
C213955	CON072P with 72 ASC adapters (12 Six Packs) 118 LGX (Green)
C213941	CON072P with 72 UFC adapters (12 Six Packs) 118 LGX
C213952	CON072P with 72 USC (ZR) adapters (12 Six Packs) 118 LGX (Blue)
C213946	CON072P with 72 AFC adapters (12 Six Packs) 118 LGX
C213959	CON072P with 72 ULC adapters (12 Six Packs) 118 LGX
FM000193	CON072P with 36 PSF (dup) adapters (12 Three Packs) 118 LGX (Beige)
FM000136	CON072P with 36 USF (dup) adapters (12 Three Packs) 118 LGX (Blue)
FM000194	CON072P with 36 ASF (dup) adapters (12 Three Packs) 118 LGX (Green)
FM000195	CON072P with 72 MTRJ adapters (12 Six Packs) 118 LGX
<b>4 RU HIGH DENSITY PATCH PANELS</b>	
C211432	CON144HD with 72 UDL (dup) adapters (12 Six Packs) 130 LGX 144 Fibers
FM000345	CON144HD with 72 ADL (dup) adapters (12 Six Packs) 130 LGX 144 Fibers
C211396	CON144HD with 72 PSF (dup) adapters (12 Six Packs) 130 LGX 144 Fibers
C211439	CON144HD with 72 PDL (dup) adapters (12 Six Packs) 130 LGX 144 Fibers
FM000196	CON144HD with 72 USF (dup) adapters (12 Six Packs) 130 LGX 144 Fibers
FM000197	CON144HD with 72 ASF (dup) adapters (12 Six Packs) 130 LGX 144 Fibers
FM000198	CON144HD with 144 UST adapters (12 Twelve Packs) 118 LGX 144 Fibers
FM000199	CON144HD with 144 PST adapters (12 Twelve Packs) 118 LGX 144 Fibers
FM000200	CON144HD with 144 UFC adapters (12 Twelve Packs) 118 LGX 144 Fibers
FM000133	CON144HD with 144 USC (PB) adapters (12 Twelve Packs) 130 LGX 144 Fibers
FM000201	CON144HD with 144 ASC adapters (12 Twelve Packs) 130 LGX 144 Fibers

**Note:** All MM cable is 62.5µm unless otherwise specified.

## Ordering Information

Select the seven digit part number of the panel you need, specify black or C.O. white, and choose the loading character desired. When ordering stubbed (S), enter the cable stub length required in meters.



**Example:** Order number for a panel Black in color, loaded with 72 USC adapters (12 six packs), connectors and a cable stub 10 meters in length.

## Accessories

DESCRIPTION	PART NUMBER
Cable Clamp (Black)	C214522
Cable Clamp (White)	C210850

## Connector/Adapter Key

TYPE	DESCRIPTION
ASC	Angle Polish SC (ZR) sleeve-SM
ASF	Angle Polish SC Duplex (ZR) sleeve-SM
PSC	Physical Polish SC (PB) sleeve-MM
PSF	Physical Polish SC Duplex (PB) sleeve-MM
USC (PB)	Ultra Polish SC with (PB) sleeve-SM
USC (ZR)	Ultra Polish SC with (ZR) sleeve-SM
USF	Ultra Polish SC Duplex (ZR) sleeve-SM
PST	Physical Polish ST (PB) sleeve-MM
UST	Ultra Polish ST (ZR) sleeve-SM
AFC	Angle Polish FC (ZR) sleeve-SM
PFC	Physical Polish FC (PB) sleeve-MM
UFC	Ultra Polish FC (ZR) sleeve-SM
ADL	Angle Polish LC Duplex (ZR) sleeve-SM
PDL	Physical Polish LC Duplex (PB) sleeve-MM
PLC	Physical Polish LC (PB) sleeve-MM
UDL (ZR)	Ultra Polish LC Duplex (ZR) sleeve-SM
UDL (PB)	Ultra Polish LC Duplex (PB) sleeve-SM
ULC	Ultra Polish LC (ZR) sleeve-SM



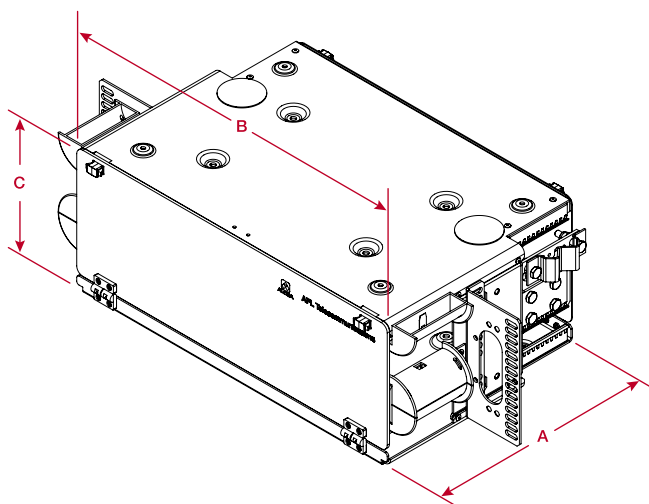
## LightLink™ LANSystem™ CON096P Fiber Termination Patch Panel



The CON096P Fiber Termination Panel is used where termination and connectivity of up to 96 fibers is desired. The panel design is based on a 4 rack unit height with a master plate to accommodate 12 LGX® compatible adapter plates or modules. Standard panels are available in empty, loaded and preterminated versions. Loaded panels include adapters and adapter plates. Preterminated panels include adapters, adapter plates and standard 96 fiber OFNR cable. The fiber stub for preterminated panels exits the right rear of the unit facing up.

### Dimensions

DEPTH (A) IN INCHES	WIDTH (B) IN INCHES	HEIGHT (C) IN INCHES	RACK UNITS	FIBER CAPACITY	UNLOADED WEIGHT	MATERIAL GAUGE
11	17	7	4	96	9 lbs.	2.03 mm



LGX is a registered trademark of Furukawa Electric North America, Inc.

### Features

- Fits comfortably into new and existing interconnect, cross-connect, customer premise, and co-location environments
- Various connector styles and types available
- Compatible with industry standard equipment frames
- LGX® compatible master plate and footprint (130mm)
- Modular design
- Provides maximum protection of optical components
- Utilizes (12) 8-packs
- Available with I/O loose tube stub

### Applications

- Telecommunication Closets
- Data Centers
- Customer Premise
- Local Area Networks
- Wide Area Networks
- Central Offices
- Hubs
- Cabinets
- Remote Terminals

### Specifications

- Telcordia GR-63 NEBS Tested
- Aluminum Material per ASTM B209
- White or Black Texture Powder Coated
- Universal Mounting Bracket WECCO, EIA
- 19" and 23" Rack Compatible

# LightLink™ LANSystem™ CON096P Fiber Termination Patch Panel

## Ordering Information

PART NUMBER	CONFIGURATION
<b>4 RU PATCH PANELS</b>	
FM000344	CON072/96P – EMPTY 130 LGX
FM000202	CON096P with 96 USC (PB) adapters (12 Eight Packs) 4U Housing 130 LGX
FM000203	CON096P with 96 PSC adapters (12 Eight Packs) 4U Housing 130 LGX
C213964	CON096P with 96 UST adapters (12 Eight Packs) 4U Housing 130 LGX
FM000204	CON096P with 96 PST adapters (12 Eight Packs) 4U Housing 130 LGX
C213982	CON096P with 96 ASC adapters (12 Eight Packs) 4U Housing 130 LGX
C213970	CON096P with 96 UFC adapters (12 Eight Packs) 4U Housing 130 LGX
C213977	CON096P with 96 USC (ZR) adapters (12 Eight Packs) 4U Housing 130 LGX
C213973	CON096P with 96 AFC adapters (12 Eight Packs) 4U Housing 130 LGX
FM000205	CON096P with 96 MTRJ adapters (12 Eight Packs) 4U Housing 130 LGX

**Note:** All MM cable is 62.5µm unless otherwise specified.

## Accessories

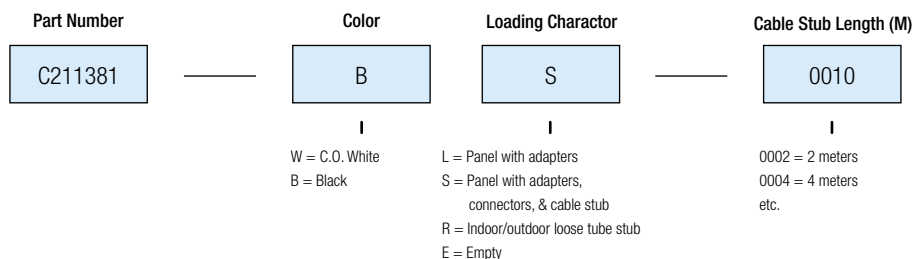
DESCRIPTION	PART NUMBER
Cable Clamp (Black)	C214522
Cable Clamp (White)	C210850

## Connector/Adapter Key

TYPE	DESCRIPTION
ASC	Angle Polish SC (ZR) sleeve-SM
ASF	Angle Polish SC Duplex (ZR) sleeve-SM
PSC	Physical Polish SC (PB) sleeve-MM
PSF	Physical Polish SC Duplex (PB) sleeve-MM
USC (PB)	Ultra Polish SC with (PB) sleeve-SM
USC (ZR)	Ultra Polish SC with (ZR) sleeve-SM
USF	Ultra Polish SC Duplex (ZR) sleeve-SM
PST	Physical Polish ST (PB) sleeve-MM
UST	Ultra Polish ST (ZR) sleeve-SM
AFC	Angle Polish FC (ZR) sleeve-SM
PFC	Physical Polish FC (PB) sleeve-MM
UFC	Ultra Polish FC (ZR) sleeve-SM
ADL	Angle Polish LC Duplex (ZR) sleeve-SM
PDL	Physical Polish LC Duplex (PB) sleeve-MM
PLC	Physical Polish LC (PB) sleeve-MM
UDL (ZR)	Ultra Polish LC Duplex (ZR) sleeve-SM
UDL (PB)	Ultra Polish LC Duplex (PB) sleeve-SM
ULC	Ultra Polish LC (ZR) sleeve-SM

## Ordering Information

Select the seven digit part number of the panel you need, specify black or C.O. white, and choose the loading character desired. When ordering stubbed (S), enter the cable stub length required in meters.



**Example:** Order number for a panel Black in color, loaded with 72 USC adapters (12 six packs), connectors and a cable stub 10 meters in length.



