

Fiber Optic Terminal Adapters for Sealed Fiber Optic Splice Closures

The LightLink Access Solution (LLAS) terminal adaptors provide the interconnect and/or demarcation of optical fibers for; Fiber-to-the-Node (FTTN), Fiber-to-the-Home (FTTH), Fiber-to-the-Premise (FTTP), and Fiber-to-the-Curb (FTTC) applications. The adaptor plates are designed to be used in conjunction with AFL Sealed Fiber Optic Splice Closures and convert the standard closure design into an FTTX or demarcation type fiber optic splice closure. The adaptor plates provide mounting positions ranging from six (6) to twenty-four (24) SC-style bulkheads (depending on the model). The interconnection and routing of 900µm SC pigtails with pre-connectorized SC drop cables is managed through routing rings on the terminal adaptor. Three versions of the terminal adaptors are available and are matched to the LG100-U-0, LG200-U-0 and LG300-U-0 sealed fiber optic splice closures.

LLAS-100-6SC

The LLAS-100-6SC terminal adaptor plate mounts to the mid-base organizer of the LG100-U-0 splice closure and provides for up to six (6) SC/APC or SC/UPC bulkhead adapters. A blank bulkhead adaptor plate and routing rings are included. SC bulkheads, SC 900µm pigtails and SC pre-connectorized drop cable are ordered separately.

LLAS-200-12SC

The LLAS-200-12SC terminal adaptor plate mounts to the mid-base organizer of the LG200-U-0 splice closure and provides for up to twelve (12) SC/APC or SC/UPC bulkheads. A blank bulkhead adaptor plate and routing rings are included. SC bulkheads, SC 900µm pigtails and SC pre-connectorized drop cable are ordered separately.

LLAS-300-24SC

The LLAS-300-24SC terminal adaptor plate mounts to the mid-base organizer of the LG300-U-0 splice closure and provides for up to twenty-four (24) SC/APC or SC/UPC bulkheads. A blank bulkhead adaptor plate and routing rings are included. SC bulkheads, SC 900µm pigtails and SC pre-connectorized drop cable are ordered separately.



Ordering Information

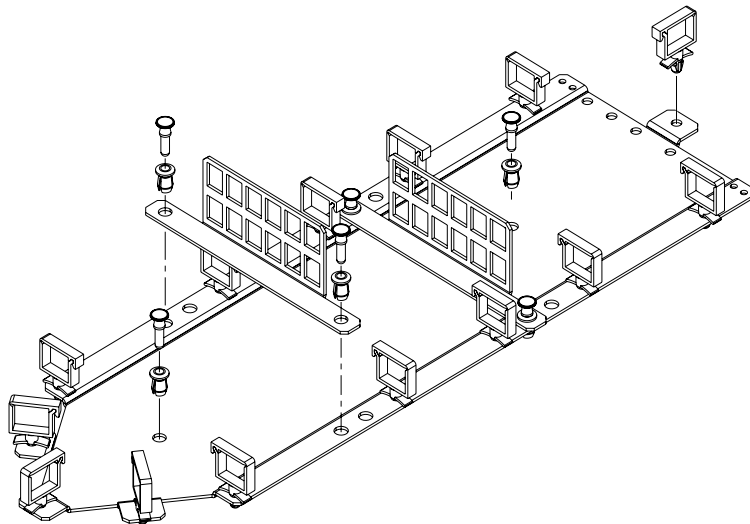
MODEL NUMBER	PART NUMBER	DESCRIPTION
LLAS-100-6SC	FC000100	Terminal Adaptor for LG-100 Sealed Splice Closure.
LLAS-200-12SC	FC000068	Terminal Adaptor for LG-200 Sealed Splice Closure.
LLAS-300-24SC	FC000069	Terminal Adaptor for LG-300 Sealed Splice Closure.

Accessories Ordering

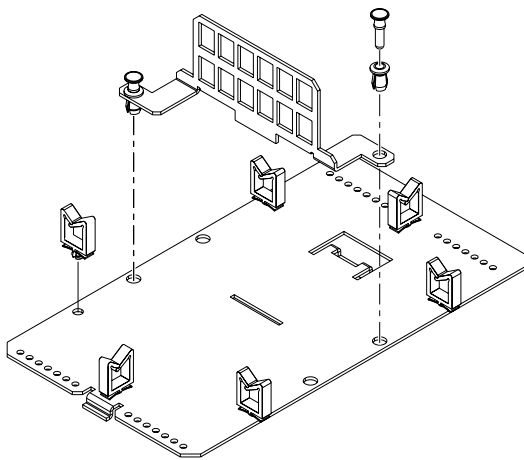
PART NUMBER	DESCRIPTION
C058475	(1) Small Flange SC/UPC Bulkhead adaptor (Blue)
C147880	(1) Small Flange SC/APC Bulkhead adaptor (Green)
C146507-0001	(1) Pigtail - SC/UPC Connector with (1) meter 900um fiber
C203278-0001	(1) Pigtail - SC/UPC Connector with (1) meter 900um fiber

Fiber Optic Terminal Adapters for Sealed Fiber Optic Splice Closures

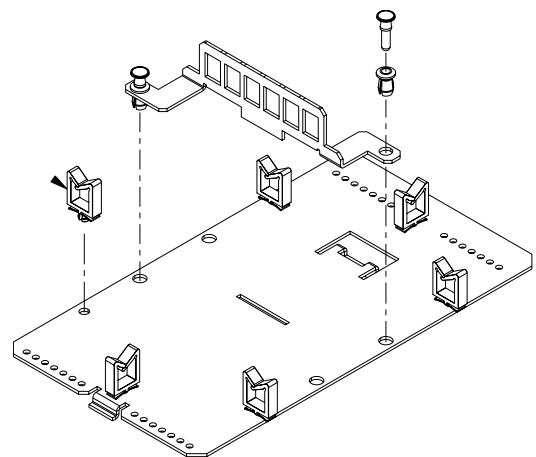
LLAS-300-24SC



LLAS-200-12SC



LLAS-100-6SC



Order From:



Toll Free: 800-423-2594
www.multicominc.com
multicom@multicominc.com