

SIGNAL COMBINERS

The ASKA signal combiners are designed with high quality six-stage bandpass and bandstop filters with adjustable balancing attenuators. This enables the user to combine a locally originated channel 3 or 4 into an existing home MATV system containing adjacent channels.

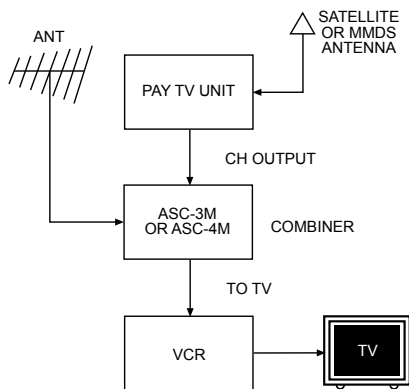
Features:

- Dimensions: 3.1"W x 2"D x 1"H. (ASC-3M).
- Miniature and durable zinc die-cast cases.
- Supplied with double back tape for easy placing combiners anywhere.
- Low insertion loss and low cost.
- High unwanted signal attenuation. (-35 dB Rejection)
- Adjustable attenuators for signal balancing.



MINI SIGNAL COMBINERS
ASC-3M - FOR CHANNEL 3
ASC-4M - FOR CHANNEL 4

INSTALLATION



SIGNAL COMBINERS
ASC-3 - FOR CHANNEL 3
ASC-4 - FOR CHANNEL 4

Applications:

- Multi-TV set operation without the use of high isolation switches.
- Allows the use of TV remote controls to switch between off-air and cable converter.
- Allows simultaneous recording and viewing of premium channels and off-air signals.
- Satellite receiver programs insertion into home MATV system.

AMPLIFIED MODELS



The model ASC-3A and ASC-4A amplified signal combiners have a built-in UHF/VHF amplifier for 15 dB Gain at ANT input which is able to compensate for any loss from long run of coax cable or any other facts where signal amplification is required. With this ASC-3A and ASC-4A, there are no need for additional UHF/VHF amplifiers for where need long run cable or in weak off-air signals area.

ASC-3A - FOR CHANNEL 3 AMPLIFIED COMBINER
ASC-4A - FOR CHANNEL 4 AMPLIFIED COMBINER

VHF RF MODULATOR - A ANALOG TYPE



RFM-1 VHF RF MODULATOR

Features:

- VHF modulation from Audio and Video signal.
- Allow the additional channels of VCR, DVD and Satellite receiver to Ch-3 or Ch-4.

Specifications:

Video Carrier Output:	150 mV
Video Input Impedance:	75 or 1K Ohm switchable
Output Impedance:	75 Ohms
Video Input Level:	1V P-P NTSC Negative sync.
Video Out Level:	10 dBmV
Output Return Loss:	Ch-3 12 dB Ch-4 15 dB
Power Requirements	120 VAC, 60 Hz, 5W
Connectors:	RCA Jack for audio/video F-Connector for RF output

SPECIFICATIONS SUBJECT TO CHANGE WITHOUT NOTICE

Order From: **MULTICOM**

Toll Free: 800-423-2594
www.multicominc.com
multicom@multicominc.com