

# Fiber Accessories



FIRC-3

## ○ Features & Benefits

- 1 RU Accommodates up to 3 Modular Fiber Units
- Complete with Power Supply and Wiring Harness

## FIRC-3

The FIRC-3 Fiber Modular Chassis permits rack mounting of up to three modular versions of our fiber optic product line (MIBT/MIBR/MIAT/MIAR units). The 1 RU chassis includes a power supply and wiring harness, so no additional components are required.

## ○ Specifications

### Electrical

Output  
Voltage: +12 VDC, +5 VDC  
Current - Max: 1.5 A

### General

Power Requirements  
Voltage: 90 to 250 VAC  
Frequency: 47 to 63 Hz  
Fuse (Internal): 2.0 A  
Temperature Range: 0 to +50 °C

### Mechanical

Dimensions (WxHxD):  
19 x 1.75 x 8.25 in  
483 x 44 x 209.5 mm  
Weight 3.00 lbs (1.40 kg)

### Connectors (Rear Panel)

DC Output: (3) 3 Conductor Locking Headers

## FIUJ Series - Jumper Assembly

Blonder Tongue provides a wide assortment of optical jumper assemblies to complete installations. Single-mode and multimode jumpers are available with FC/APC, SC/APC or ST connectors in 1,3,6,15 and 50 meter lengths.



7498

7499

7500

## ACCS Series - DC Wall Mount

The ACCS Series of DC wall-mount power supplies cover the powering requirements for stand alone models in the TrailBlazer, Retrolinx and TwinStar Series. Four models are provided with various voltage and current capacity to match the particular product to be powered.



ACCS-PS-170

## ○ Specifications

	ACCS-PS-90	ACCS-PS-170	ACCS-PS-200
AC Input:	120 VAC, 60 Hz	120 VAC, 60 Hz	120 VAC, 60 Hz
DC Output:	9 VDC	15 VDC	15 VDC
Voltage (Nominal):	0.5 A	.40 A	.95 A
No Load Voltage:	≤ 16 VDC	22.5 VDC	N/A
Output Stability:	N/A	+ 0.5 V@ Rated Load	N/A
Operating Temperature:	0 to +40° C	0 to +40° C	0 to +40° C
Enclosure:	Plastic	Plastic	Plastic

## ○ Ordering Information

Model	Stock No.	Description
FIRC-3	7414	Fiber Modular Chassis & Power Supply 19" Rack Mount 1 RU 3 Slot Horizontal Chassis
ACCS-PSPI-12	7416	Power Supply, Compact Wall Mount and Power Inserter Use with FOCN-S45-20X Series
ACCS-PS-90	7417	Power Supply, Compact Wall Mount 120 VAC @ 60 Hz to 9 VDC @ 500 mA
ACCS-PS-200	7418	Power Supply, Compact Wall Mount 120 VAC @ 60 Hz to 15 VDC @ 950 mA
ACCS-PS-170	7419	Power Supply, Compact Wall Mount 120 VAC @ 60 Hz to 15 VDC @ 400 mA
FIUJ-S4-1-XX	7493XX	Fiber Optic Jumper Assembly, Single-mode 1310 & 1550 nm, 1 Meter (3 Feet) Length
FIUJ-S4-3-XX	7494XX	Fiber Optic Jumper Assembly, Single-mode 1310 & 1550 nm, 3 Meter (9.5 Feet) Length
FIUJ-S4-6-XX	7495XX	Fiber Optic Jumper Assembly, Single-mode 1310 & 1550 nm, 6 Meter (19.5 Feet) Length
FIUJ-S4-50-XX	7496XX	Fiber Optic Jumper Assembly, Single-mode 1310 & 1550 nm, 50 meter (162.5 Feet) Length
FIUJ-S4-15-XX	7497XX	Fiber Optic Jumper Assembly, Single-mode 1310 & 1550 nm, 15 Meter (48.5 Feet) Length
FIUJ-M8-1-ST	7498 ST	Fiber Optic Jumper Assembly, Multimode 1 Meter (3 Feet) Length, ST Connectors Both Ends
FIUJ-M8-3-ST	7499 ST	Fiber Optic Jumper Assembly, Multimode 3 Meter (9.5 Feet) Length, ST Connectors Both Ends
FIUJ-M8-6-ST	7500 ST	Fiber Optic Jumper Assembly, Multimode 6 Meter (19.5 Feet) Length, ST Connectors Both Ends

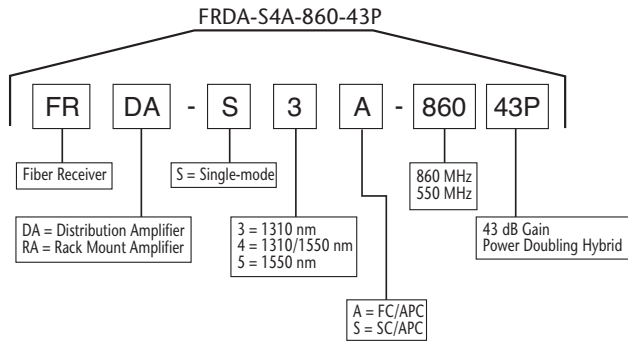
Ordering Notes: XX = Connector Style FA = FC/APC SA = SC/APC ST = ST™

Order From: 

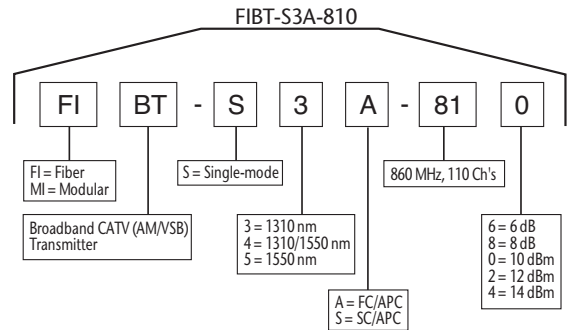
Toll Free: 800-423-2594  
www.multicominc.com  
multicom@multicominc.com

○ **Model Number Designations**

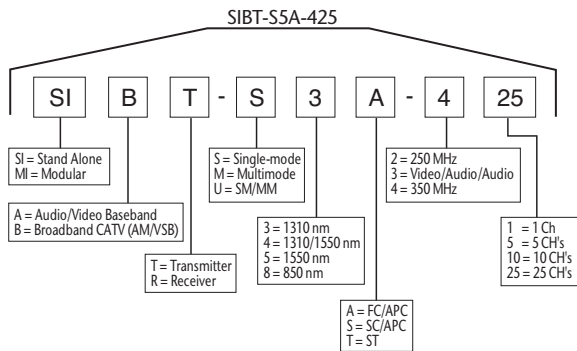
**TRAILBLAZER RECEIVERS MODEL NUMBER**



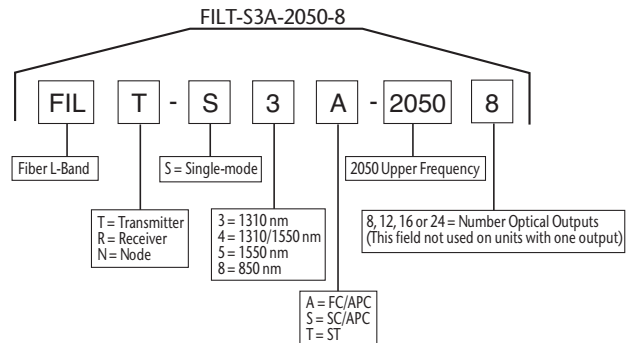
**TRAILBLAZER TRANSMITTERS MODEL NUMBER**



**RETRO LINX TRANSMITTERS/RECEIVERS MODEL NUMBER**



**TWIN STAR L-BAND TRANSMITTERS/RECEIVERS MODEL NUMBER**



The above information is for example only. Some combinations may not be valid.

Order From:



Toll Free: 800-423-2594  
[www.multicominc.com](http://www.multicominc.com)  
[multicom@multicominc.com](mailto:multicom@multicominc.com)