

A digital sensor that translates the signal from an analog sensor into a digital value, expanding the Goose's analog input capacity.

- Bridges an analog sensor to the digital-sensor bus
- Add up to 16 additional analog inputs using CCATs
- Factory programmed to match sensor type



A plastic tube houses the electronics that convert an analog sensor to digital.

Does your application need more analog sensors than your Goose has available inputs? Connect extra analog sensors using CCATs. Attach an analog sensor to the screw terminals on the CCAT, then plug the modular jack end of the cable to a digital-sensor port. The interface converts the signal from the analog sensor into a digital value. This allows a Goose to monitor more analog sensors than the built-in Analog Inputs support.

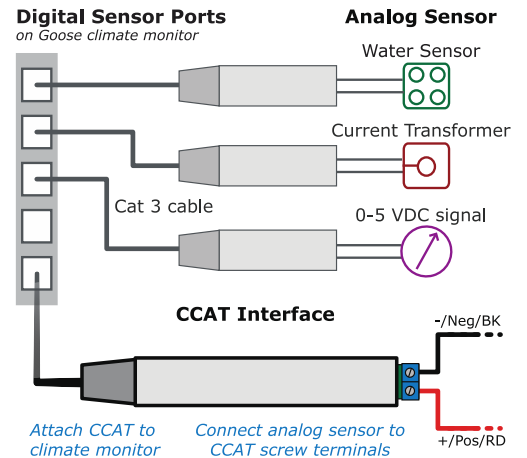
PROGRAMMING/TYPES

Each CCAT is programmed at the factory according to what type of analog sensor will be attached. The climate monitor uses this information to interpret the sensor values and display them in the proper measurement scale. Examples of CCAT types include Water Sensor, Door Position, Digital (for dry-contact sensors), and Analog (0 to 5VDC signal). Consult the ITWatchDogs website or contact us for a complete list of CCAT types.

DIGITAL SENSORS

The climate monitor uses a serial protocol to communicate with sensors connected to the digital-sensor bus. When a digital sensor is plugged in, the monitor automatically detects and identifies the sensor. Each sensor can be given a "friendly" name to make it easier to identify. The Goose cycles through the digital sensors to collect and log new readings. If a value exceeds a user-defined threshold, the unit sends alerts through email or SNMP.

A Goose can support up to 16 digital sensors. The combined cable length for these sensors can be up to 600', depending on environment. To prevent electronic interference, avoid running sensor cable near high-power devices and minimize cable length.



The CCAT takes readings from the sensor and transmits them digitally to the Goose.

Sensor Details

Analog Sensor Input

Connector: 2-position screw-terminal block
Input rating: 0-5VDC signal or dry-contact

Specifications

Cable type: Cat-3 with RJ-12 connector
Cable length: 12', 25' or custom
Warranty: 1 year (extended warranties available)

Compatibility

Works with all climate/power monitors with digital ports
Climate monitors support up to 16 digital sensors
Limit of 600' total aggregate cable length

