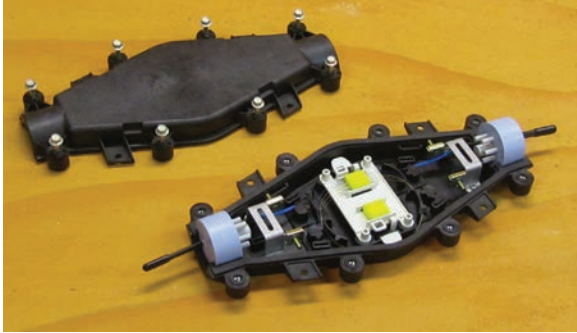


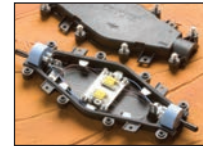
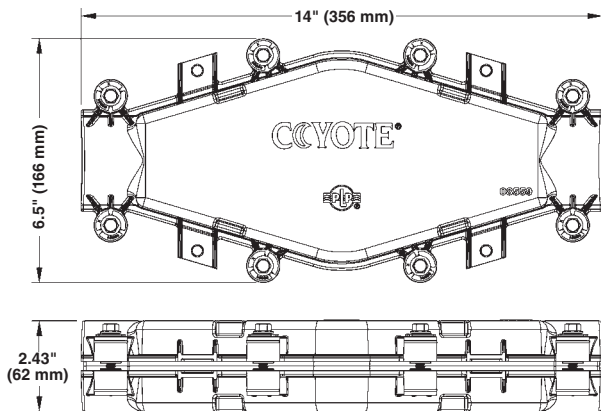
COYOTE® LCC (Low Count Closure)



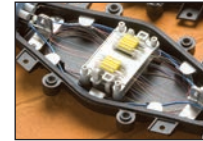
The COYOTE LCC's compact size, use of the versatile grommet system and internal LITE-GRIP® Splice Platform are designed to make this rugged closure the economical choice for new installations and critical repair situations.

Key Features

- **Size:** 14" L x 6.5" W x 2.4" D
- **Max. Splice Capacity:** (24) Single fusion, (72) Ribbon/ Mass Fusion
- **Configuration:** In-Line or Butt Splice
- **Port Quantity:** 2 (1 each end)
- **Application:** Direct buried, below grade, pole/wall mount or aerial
- A cost effective solution for quick restoration of damaged/ cut fiber service drops
- Tested in accordance to TR-NWT-000251 by an independent outside lab
- Available in flame retardant material
- Factory installed gasket allows re-entry and re-use
- Flexible grommet sealing technology supports a wide range of flat or round cable profiles
- Quick to assemble, no special tools required
- Flat shape allows for mounting in small areas
- Utilizes the LITE-GRIP® Splice Block System which permits single fusion, mass fusion, mechanical, PLC splitters or a combination of all within one closure



COYOTE LCC for Single Fusion Splices



Stacked Splice Platform



Cable Retention with Bobbin



Fiber Routing Clips



Dual Strength Member Brackets



Aerial Mount LCC



Pole/Wall Mount Bracket

Catalog No.	COYOTE LCC For Fiber Closures*
COYLCC-F001	For Single Fusion. Includes: (1) 7-Hole Grommet: Cat. #8003676 and (1) 12-Hole Grommet: Cat. #8003796
COYLCC-F002	For Single Fusion. Includes: (1) Bobbin Kit, (1) 7-Hole Grommet: Cat. #8003676, (1) 12-Hole Grommet: Cat. #8003796
COYLCC-F003	For Ribbon. Includes: (2) 2-Hole Grommets: Cat. #8003663
COYLCC-F004	For Single Fusion. Includes: (2) 7-Hole Grommets: Cat. #8003676
COYLCC-F005	For Single Fusion. Includes: (2) 2-Hole Grommets: Cat. #8003663
COYLCC-F006	For Single Fusion. Includes: (2) 4-Hole Grommets: Cat. #8003664
COYLCC-F007	For Single Fusion. Includes: (1) 7-Hole Grommet: Cat. #8003676 and (1) 8-Hole Grommet: Cat. #8003677
COYLCC-F008	For Single Fusion. Includes: (1) 1-Hole Grommet: Cat. #8003691 and (1) 8-Hole Grommet: Cat. #8003677
COYLCC-F009	For Single Fusion. Includes: (2) 12-Hole Grommets: Cat. #8003796
COYLCC-F010	For Single Fusion. Includes: (1) Bobbin Kit, (1) 1-Hole Grommet: Cat. #8003691 and (1) 12-Hole Grommet: Cat. #8003796

All Fiber Kits Include: (2) Grommets, (3) LITE-GRIP® Splice Blocks, (1) Splice Platform, (1) Dual Strength Member Bracket, (1) L Bracket, Fiber Management Clips and Misc. Hardware

*For the COYOTE LCC Flame Retardant catalog numbers, insert "FR" into the catalog number code.
Ex.: COYLCCFR-F001

Catalog No.	COYOTE LCC for Copper Closures
COYLCC-C001	For Copper. Includes: (2) 1-Hole Grommets: Cat. #8003691
COYLCC-C002	For Copper. Includes: (2) 1-Hole Grommets: Cat. #8003692
COYLCC-C003	For Copper. Includes: (2) 1-Hole Grommets: Cat. #8003693
COYLCC-C004	For Copper. Includes: (1) 1-Hole Grommet: Cat. #8003691 and (1) 2-Hole Grommet: Cat. #8003663
COYLCC-C005	For Copper. Includes: (2) 4-Hole Grommets: Cat. #8003664

All Copper Kits Include: (2) Grommets, (2) MINI-MORAY™ Shield Connectors and (1) Bonding Strap

Catalog No.	COYOTE LCC Accessories
80808633	Strength Member Bobbin Kit
80809851	Dual Strength Member Bracket Kit
8003843	Strength Member L Bracket Kit
COYDACSPA03	Splice Platform Kit for Single Fusion - includes 3 splice blocks
COYDACSPA04	Splice Platform Kit for Ribbon - includes 3 splice blocks
Mounting Hardware	See Mounting Bracket Chart on page 30

LCC

- Re-Enterable
- Re-Usable
- Hermetically Sealed
- Free- Breathing
- Aerial
- Pole/Wall Mount
- Below Grade
- Direct Buried
- Flame Retardant

Small Fiber Count Closure