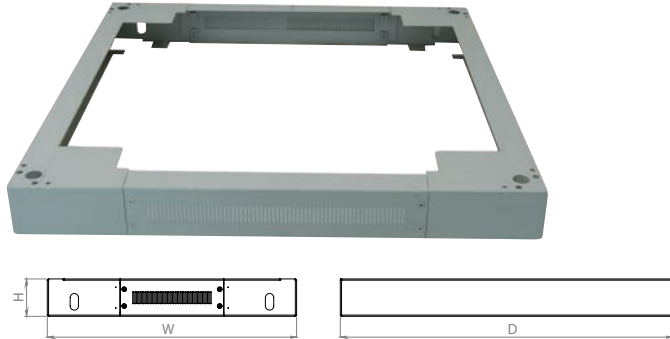


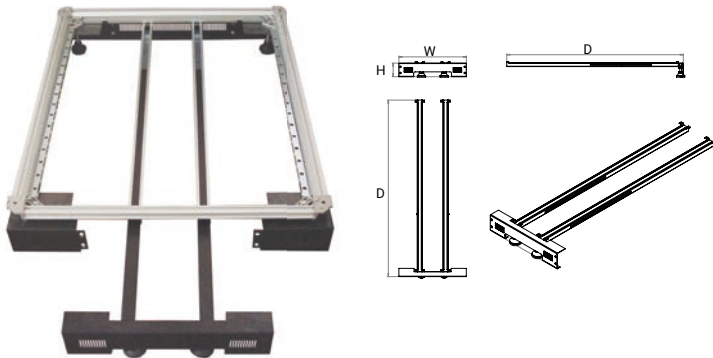
## Plinth for inorax



**Material** 2 mm Steel **Finish** Electrostatic Powder Paint  
**Packaging** One piece in a box

H (mm)	D (mm)	W (mm)	Weight kg	Part No
90	600	600	5,95	CCA-X-3001
90	800	600	7,10	CCA-X-3002
90	1000	600	7,96	CCA-X-3003
90	1100	600	8,83	CCA-X-3004
90	1200	600	9,71	CCA-X-3005
90	800	800	7,27	CCA-X-3006
90	1000	800	8,14	CCA-X-3007
90	1100	800	9,01	CCA-X-3008
90	1200	800	9,89	CCA-X-3009

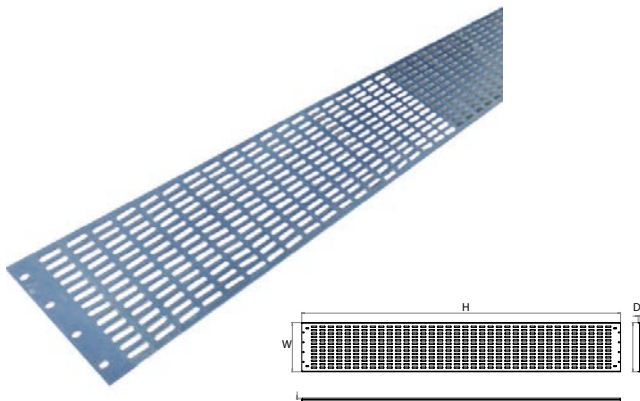
## Sliding Anti-Swing Stabilizer



**Material** 1,5 mm Steel **Finish** Electrostatic Powder Paint  
**Packaging** One piece in a set

H (mm)	W (mm)	D (mm)	Weight kg	Part No
90	600	1000	9,47	CPA-X-3019
90	600	1070	10,50	CPA-X-3026
90	600	1200	11,64	CPA-X-3021
90	800	800	11,70	CPA-X-3022
90	800	1000	12,63	CPA-X-3023
90	800	1070	14,01	CPA-X-3027
90	800	1200	15,28	CPA-X-3025

## Vertical Side Cable Organizer Type1



**Material** 1,5 mm Steel **Finish** Zinc Plated  
**Packaging** Two pieces in Bubble Nylon

H (U)	H (mm)	D (mm)	W (mm)	Weight kg	Part No
26U	1246	8	260	6,40	CCA-0-5011
32U	1510	8	260	7,80	CCA-0-5012
36U	1686	8	260	8,72	CCA-0-5013
39U	1820	8	260	9,48	CCA-0-5014
42U	1950	8	260	10,22	CCA-0-5015
47U	2170	8	260	11,60	CCA-0-5016

\* X : Color code = 7: RAL 7035 (Grey); 9: RAL 9005 (Black)