



**CERTIFIED**

## Inorax-AL Server Rack Cabinet

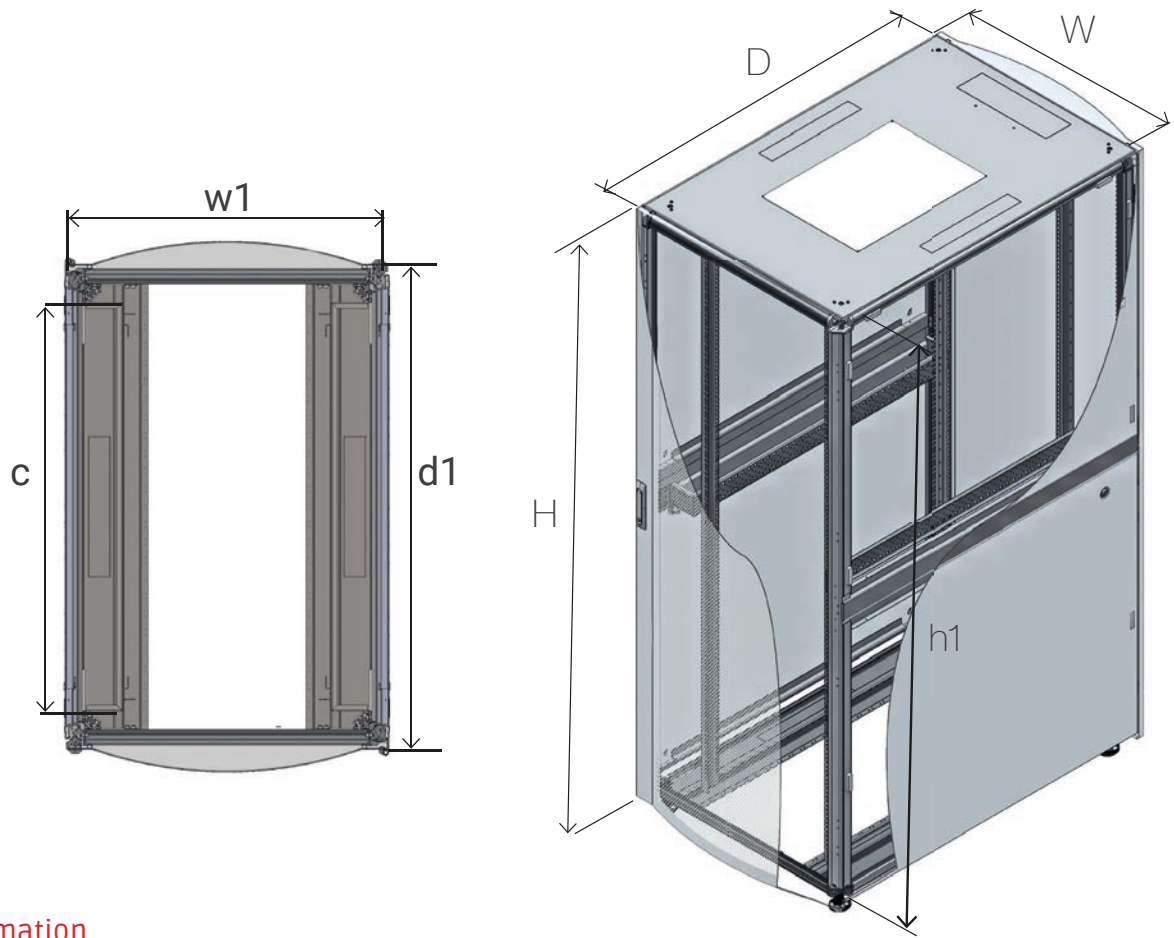
The ultimate server rack cabinet system ever developed for complex Data Center environments. inorax-AL server rack cabinet system is the ultimate solution designed and engineered for demanding Data Center environments. It is designed to house all servers manufactured by major brands including HP, Dell, Sun, Cisco, Juniper, IBM, Compaq to name but a few. To achieve optimum versatility within the server rack, users can set multiple depths throughout the cabinet by adjustable 19" mounting rails mounted on heavy duty side supports. Horizontally divided side panels provide ease of access and convenient post-installation maintenance. Optional % 80 perforations on front and rear doors enable optimum airflow within the rack cabinet and industry leading static load carrying capacity of the aluminum extruded frame satisfies the most of all standards specified for Tier-4 Data Center. Optional cable tray channels can be fitted on top of the rack provides perfect cable routing eliminating the need for raised floor systems. Flat-pack option enables savings up to 60% in the transport cost and warehouse space.

### Technical Features

Material	Frame ; Anodized aluminum extrusion profiles Other parts : 1,2 and 2 mm steel
Color	RAL 7035 or RAL 9005
Compliance	RoHS, UL Certified
Packaging	Assembled or unassembled
Maximum Static Load	Up to 2000 kg. (in 600x600 mm)

### Standard Configuration:

- Perforated front and rear doors, Free Air Ratio (FAR): %67
- Front & rear doors with swing handle Multi point-espagnolette
- Split side panels
- Bottom sheet with 3 cable entries for 800 width,  
1 cable entry for 600 width racks
- Internal top sheet with 3 cable entries for 800 width,  
1 cable entry for 600 width racks and fan cut-outs
- 2 Pairs of depth adjustable heavy duty 19" Mounting Rails
- 2 Pairs of Adjustable Feet



## Order Information

Height U	Outer Width (w) mm	Outer Depth (D) mm	Outer Height (H) mm	Inner Width (w1) mm	Inner Depth (d1) mm	Inner Height (h1) mm	19" Rails Adjustable Depth Range (c)	Weight kg	Part No
26U	600	1000	1322	503	950	1187	129 - 829	75,5	CPS-X-2660A
26U	600	1200	1322	503	1150	1187	129 - 1029	95,6	CPS-X-2662A
36U	600	1000	1767	503	950	1632	129 - 829	95,0	CPS-X-3660A
36U	600	1200	1767	503	1150	1632	129 - 1029	114,0	CPS-X-3662A
39U	800	1000	1900	703	950	1765	129 - 829	111,5	CPS-X-3980A
42U	600	1000	2033	503	950	1898	129 - 829	106,5	CPS-X-4260A
42U	600	1070	2033	503	1020	1898	129-899	115,6	CPS-X-4267A
42U	600	1200	2033	503	1150	1898	129-1029	124,8	CPS-X-4262A
42U	800	1000	2033	703	950	1898	129-829	117,3	CPS-X-4280A
42U	800	1070	2033	703	1020	1898	129-899	126,3	CPS-X-4287A
42U	800	1200	2033	703	1150	1898	129-1029	135,4	CPS-X-4282A
47U	600	1000	2255	503	950	2120	129-829	116,2	CPS-X-4760A
47U	600	1070	2255	503	1020	2120	129-899	125,0	CPS-X-4767A
47U	600	1200	2255	503	1150	2120	129-1029	134,0	CPS-X-4762A
47U	800	1000	2255	703	950	2120	129-829	126,7	CPS-X-4780A
47U	800	1070	2255	703	1020	2120	129-899	135,5	CPS-X-4787A
47U	800	1200	2255	703	1150	2120	129-1029	144,3	CPS-X-4782A

X (Color code): 7:RAL 7035 Light Grey, 9:RAL 9005 Black