

Get alerted if city power fails and your gear is running on the UPS

- Used to detect a power outage and send alerts
- Input voltage range: 100 - 240 VAC
- Connects to a Goose via Analog Input or CCAT
- Status LEDs indicate system state

The City Power Monitor (CPM) is an analog sensor that enables a Goose climate monitor to detect line voltage and send an alert through email or SNMP trap if power is lost. This provides time to either restore power or properly shutdown the system before backup power is fully utilized.

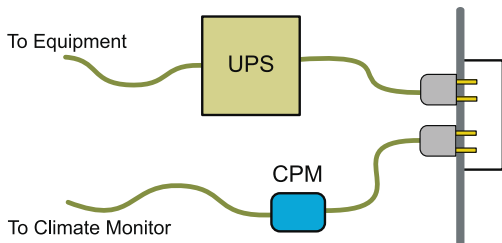
A wall transformer powers the sensor and allows the CPM to detect city power. Status LEDs in the sensor's plastic enclosure provide a visual indication that power is detected. A pair of signal wires are attached to the sensor. These wires are used to connect the CPM to a Goose climate monitor.

CONNECTING TO THE GOOSE

Since the CPM is an analog sensor it can connect directly to the Analog Input terminals of the Goose climate monitor. If the model of climate monitor either doesn't have analog inputs or they are all being used, then a CCAT analog-to-digital interface will allow you to attach a CPM to a digital sensor port.

ALARMS

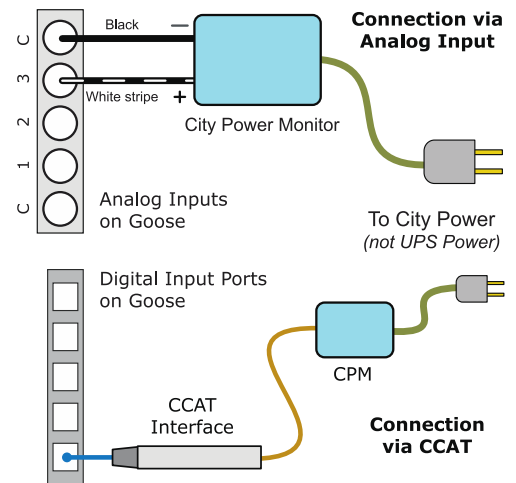
Alarm thresholds can be configured on the Alarm page of the Goose. With the appropriate thresholds the Goose will send you an alert if power is lost, through email or by SNMP trap.



The City Power Monitor detects if power is lost to the UPS, allowing the Goose to send an alert.



The City Power Monitor consists of a wall transformer-style power supply, the plastic enclosure with status LEDs and signal wires for connecting to a Goose climate monitor.



A City Power Monitor connected directly to an Analog Input of a climate monitor.

Sensor Details

Wall Transformer Power Supply

Input voltage: 100-240 VAC
Plug: US-style, British-style or Universal
Power cable: 5' (power to sensor)

Specifications

Indicators: 3 status LEDs
Signal cable: 100' (sensor to Goose)
Warranty: 1 year (extended warranties available)

Compatibility

Works with all climate/power monitors with analog ports
Compatible with CCAT Analog-to-Digital Interface

Model Numbers

RCP2-100-US (US-style plug)
RCP2-100-BS (British-style plug)
RCP2-100-UN (Universal plug with adapters)

