

Add current monitoring to the Goose with this current transformer

- Measure current ranges of 30, 60 or 120 amps
- Sensor frame swings open and clamps around wire
- Outputs 0 to 5 VDC, proportional to current
- Connects to a Goose via Analog Input or CCAT
- Set alarms and get alerts via email or SNMP



Clamp this split-frame current transformer around a wire to measure AC current.

Current transformers encircle a single power wire and transform the AC amperage into a 0 to 5VDC signal suitable for input into a Goose climate monitor. A selector switch allows you to chose one of the sensor's three current ranges.

The split-frame design of this current transformer simplifies installation. The frame swings open and clamps around a current-carrying wire. Note that a single wire is necessary for current measurement. If two wires are placed in the transformer their magnetic fields will cancel each other and the current measurement will be inaccurate.

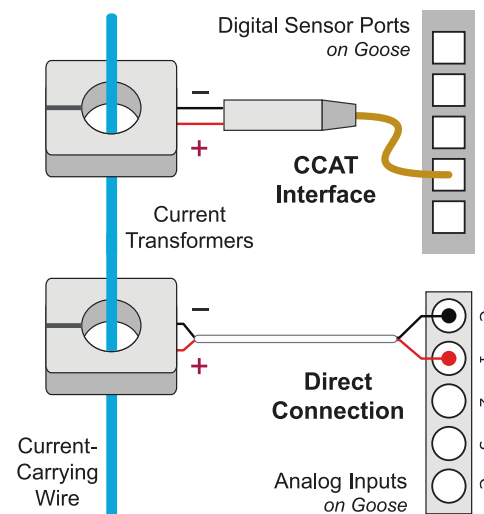
CONNECTING TO THE GOOSE

A 2-position screw-terminal block provides connections for signal wires (*not included*) that go to the Goose. Make note of the polarity on the label, as connecting the wires backwards may cause damage.

There are two ways to connect this sensor to a Goose. If an Analog Input is available, then you can connect the signal wires directly to the input terminals. However, if all inputs are being used or the unit doesn't have them, you can connect the sensor using a CCAT analog-to-digital interface. This interface allows the current transformer to connect to a digital sensor port.

ALARMS

The Goose provides the web interface to create and modify alarm thresholds. With the appropriate thresholds the Goose will send you an alert if the current draw is getting too high. This helps to prevent overloading a breaker or the wiring in your building. Get alerts via email or SNMP trap if there's a problem.



Connect the current transformer directly to an Analog Input on the Goose. Use a CCAT to attach the sensor to a digital sensor port.

Sensor Details

Specifications

- Amperage range: 30, 60, 120 amps, AC
- Output: 0 to 5 VDC, proportional to current
- Accuracy: +/- 2% from 10% to 100% full scale
- Connections: 2-position screw-terminal block
- Size: 2.9" L x 2.58" W x 1.04" H
- Warranty: 1 year (extended warranties available)

Compatibility

- Works with all climate/power monitors with analog ports
- Compatible with CCAT analog-to-digital interface

Model Number: CT-30-60-120

