



MGT-2150

Management Card

The MGT-2150 management card provides management functionality for Optelian networks and shelves, and supports software user interfaces such as the Optelian Network Manager (ONM), the Optelian Shelf Manager (OSM), SNMP, TL1, and CLI.

Features

- Optelian network and shelf management
- SNMP, TL1 and local CLI
- Management interface GUI support
- Shelf backup and restore
- Shelf software upgrade
- SNMP security access, NTP and RSTP support
- Two RJ-45 Ethernet ports for inter-node connectivity and local access
- East-West OSC

Compliance

- GR-63-CORE
- GR-1089-CORE
- NEBS
- FCC

The MGT-2150 card incorporates Optical Supervisory Channel (OSC) capability that permits full operational access at remote sites and supports all network management functions, including alarm reporting, end-to-end provisioning, optical layer fault management, optical layer maintenance tools, and software downloads. SFP interfaces on each card provide OSC capability, in conjunction with an MDX-OSC multiplexer card, on any wavelength.

With its internal multi-port Fast Ethernet switch, multiple shelves and locations are managed on a secure network with numerous interconnectivity options. Two Ethernet LAN ports connect local shelves or remote sites.

Rapid Spanning Tree Protocol (RSTP) optimizes network management performance and provides protection paths for management against network faults.

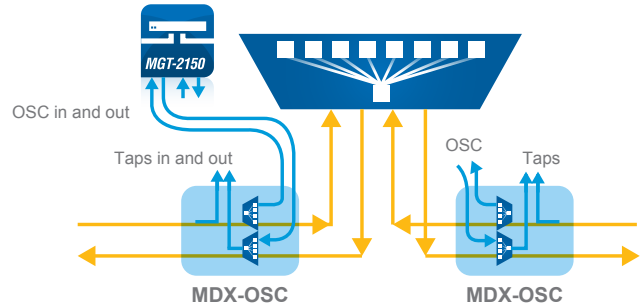


MGT-2150

If a LAN infrastructure is unavailable, remote locations can be interconnected over the fiber network using an OSC wavelength. A bidirectional east and west optical service configuration is implemented using two pluggable OSC SFPs on the MGT-2150 card, and two MDX-OSC cards.

The standard OSC operates at 1510 nm, but pluggable optics allow any wavelength compatible with Optelian's multiplexer family to be used. MDX-OSC add/drop cards are available in any CWDM or DWDM wavelength through Optelian's quick-turn custom multiplexer program.

The MDX-OSC add/drop multiplexer includes two line-side monitoring ports for installation and testing.



Specifications

Parameter	Specification
Interfaces	SFP (optical or electrical), Ethernet, RS-232 serial, OSC*
Operating temperature	-40°C to 55°C (-40°F to 131°F)
Storage temperature	-40°C to 85°C (-40°F to 185°F)
Relative humidity	5% to 95% non-condensing
Power supply	-48 VDC nominal
Rate and protocol	100 Mb/s Fast Ethernet
Maximum power consumption (without SFPs)	9.5 W
Electromagnetic compatibility	FCC part 15 (Class A)
Safety	CSA/UL 60950-1
Dimensions (H x W x D)	17.5 x 3.0 x 22.8 cm (6.9 x 1.2 x 9.2 in.)

* Note: The standard optical SFP is 1006-4201, OSC 1511 nm, 120 km, but other SFPs that meet the application requirements may be used. For Ethernet applications use 1005-2102, RJ-45 Electrical SFP.

Ordering Information

MGT-2150	1014-9800	MGT-2150 Management Card
MDX-OSC	1004-2600	OSC 1510 nm Add/Drop Multiplexer
SFP OSC	1006-4201	OSC 1511 nm, 120 km
SFP RJ-45	1005-2102	RJ-45 Electrical SFP