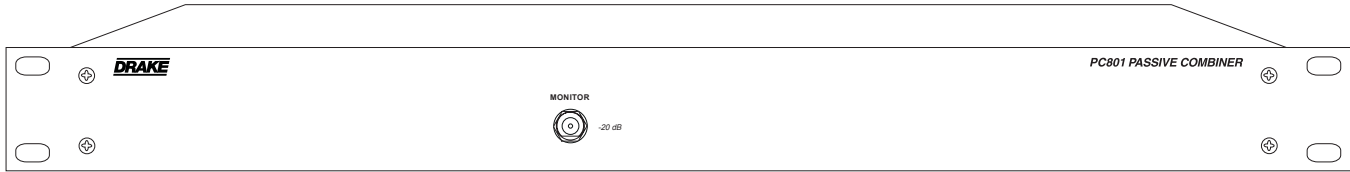


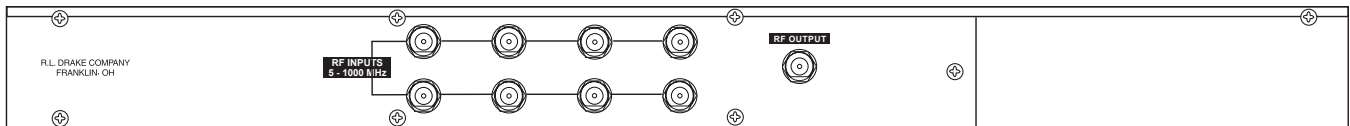
# **DRAKE** PC801 Passive Combiner

The PC801 Passive Combiner permits combining the outputs of up to 8 sets of Audio/Video Modulators, Channel Processors, etc. onto a single coax. Additional combiners may be used, with their outputs combined, to increase capacity as required.

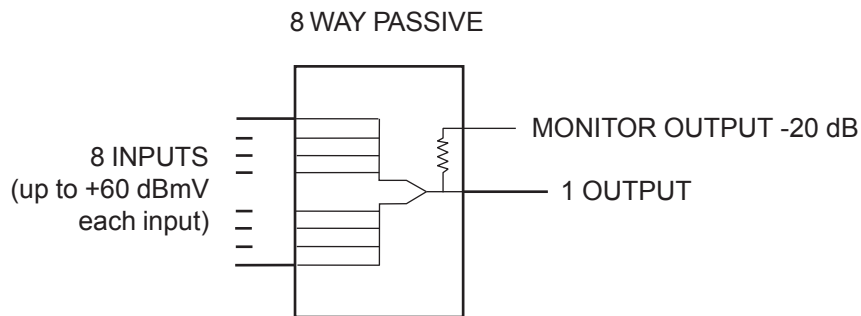
The unit mounts in a standard 1-3/4" H x 19" W rack space. A Monitor output is provided at the front panel of the combiner.



**FRONT PANEL**



**REAR PANEL**



**BLOCK DIAGRAM**

## **SPECIFICATIONS**

- Frequency Range: 5-1000 MHz.
- Insertion Loss: 12 dB nominal, 14.5 dB maximum.
- Port-port Isolation: 30 dB nominal, 25 dB minimum.
- Maximum Input: +60 dBmV, each input.
- Impedance: 75 Ohms.
- Return Loss (all ports): 16 dB nominal, 14 dB minimum.
- Monitor Test Point: -20 dB (referenced to output).
- Shielding: Meets FCC Part 76 requirements when operated at rated input levels.
- Operating Temperature: -20° C to +50° C.
- Size: 19" W x 1.75" H x 3.7" D.

Order From:  800-423-2594  
www.multicominc.com  
multicom@multicominc.com

**DRAKE**® is a registered trademark of the R.L. Drake Company

© Copyright 2004 R.L. Drake Company

P/N: 3853662B-4-2004