

DESCRIPTION:

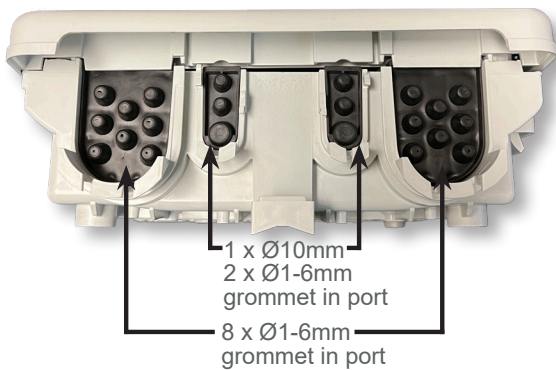
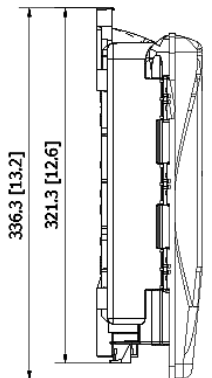
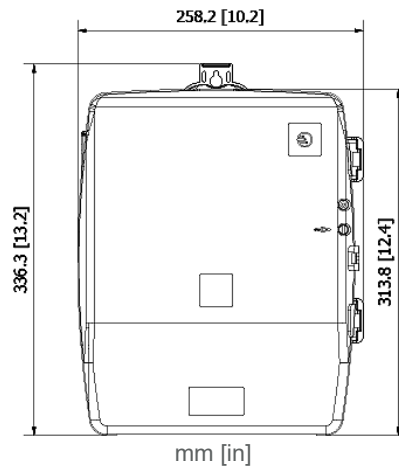
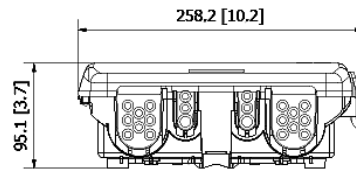
The ETC Network Interface Device (NID) is a high-quality enclosure specifically designed to house fiber slack storage for the growing fiber-to-the-premises (FTTP) and broadband access markets.

This NID is specifically designed to complement Adtran, Calix, and DZS ONT deployments.

With a sleek compact form factor, this ASA thermoplastic enclosure can be used to house the excess fiber while providing the technician easy access and a grounding point at installation. Specifically made for exterior wall mounting, it is environmentally sealed with dust and water resistance, and rubber grommets at the cable entry ports.

FEATURES:

- Flexible design accommodates many applications
- Compact, modular unit with a design that minimizes installation time with room for future expansion
- Flame-retardant and impact-resistant
- Made with engineering-grade thermoplastic
- Hinged cover for screw and padlock



NID Parameters	Specifications
Max Cable Capacity	16
Cable Ports (W x D)	2 Ports - 2" x 1.6" (55 x 40mm) to accommodate included grommets 2 Ports - 1.5" x 0.7" (38 x 17mm) to accommodate included grommets
Mounting	Wall
Material	Body: Acrylonitrile Styrene Acrylate (ASA) Trays: Acrylonitrile Butadiene Styrene (ABS) Metal parts: Brass and Stainless Steel
Lockable	Yes
Grounding Kit	Yes
Color	Gray (RAL 1013)
Standards	IP 55 (EN 60529); KA 160H IEC 60068-2-11 (Test Ka: Salt mist); IK08 (EN 50102, C 20-015)
Dimensions (H x W x D)	13.2" x 10.2" x 3.7" (336 x 258 x 95mm)
Net Weight	2.1 lb (0.97 kg)
Included	2 x Cable protection grommets with 8 x Ø1-6mm ports 2 x Cable protection grommets with 1 x Ø10mm port, and 2 x Ø1-6mm ports