

G-KS-KS-MLK-T

Housing to Housing Locking Rotational Adapter Product Information

CORNING
Discovering Beyond Imagination

Broadband
Products

Connector Specifications

Return Loss:
> 30 db @ 1 GHz

The G-KS-KS-MLK-T adapter is designed to connect two housings together and permit the desired alignment of equipment during installation. The locking feature of this rotational adapter is achieved with internal mating teeth. No jam nuts are required for equipment alignment making installation easy and reliable. The locking teeth remove any rotational forces from the coupling nut reducing the possibility of loose connections and RF leakage.



Order From:  800-423-2594
www.multicominc.com
multicom@multicominc.com

Materials and Construction
of Connector Components :

ASTM 6262 aluminum alloy with gold chromate conversion coating for excellent corrosion resistance and a dry film lubricant to prevent thread galling.

Contact pins and support sleeves are brass with bright acid tin plating providing excellent RF conductivity.

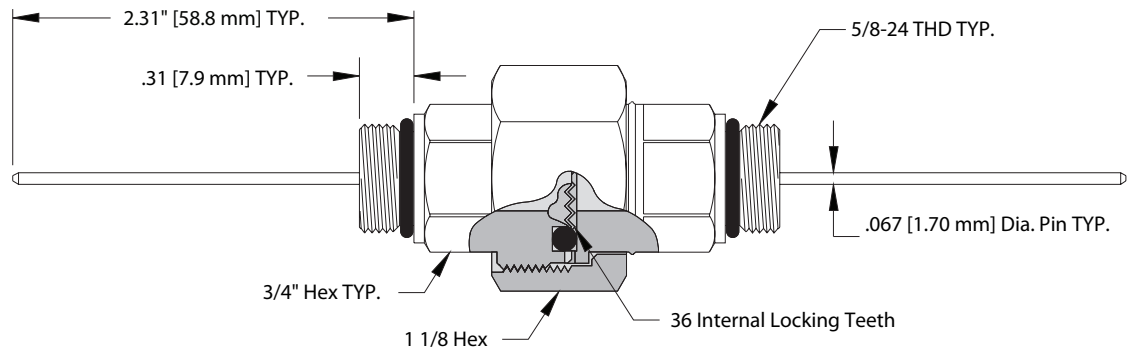
O-rings are ultraviolet and ozone resistant EPDM for maximum durability.

Product Features and Benefits

- 36 Internal locking teeth prevent rotation of connected components
- Rotational design permits proper alignment of equipment
- Return loss : > 30 db @ 1 GHz
- Short overall length for use in confined areas
- External parts manufactured of 6262 aluminum alloy with chromate conversion coating for maximum corrosion resistance
- One piece brass pin with tin plating
- EP o-rings for maximum environmental and long term performance

Ordering Information

Part Number
G-KS-KS-MLK-T



Order From:  800-423-2594
www.multicominc.com
multicom@multicominc.com