

# GL-90-SC

## 90° Socket Contact Adapter Product Information

**CORNING**  
Discovering Beyond Imagination

Broadband  
Products

### Connector Specifications

AC Power Rating:  
15 amps Continuous

Return Loss:  
>30 dB @ 1 GHz

The GL-90-SC adapter is part of Corning Gilbert's socket contact product series. This 90° adapter eliminates the inconvenience of seizure screws and access caps. The tin plated, high tensile strength contact provides a reliable and repeatable electrical connection for all mating pin diameters meeting SCTE IPS SP 501, "Recommended 5/8-24 Port - Male." The design provides high current carrying capacity and exceptional return and insertion loss characteristics through 1 GHz.



Order From:  **MULTICOM**

800-423-2594  
[www.multicominc.com](http://www.multicominc.com)  
[multicom@multicominc.com](mailto:multicom@multicominc.com)

© 2002 Corning Gilbert Inc. G-1400-542 03/02

Materials and Construction of Connector Components:

ASTM 6262 aluminum alloy with gold chromate conversion coating for excellent corrosion resistance and a dry film lubricant to prevent thread galling

Contact pins are brass with bright acid tin plating providing excellent RF conductivity.

Socket contact is Beryllium Copper.

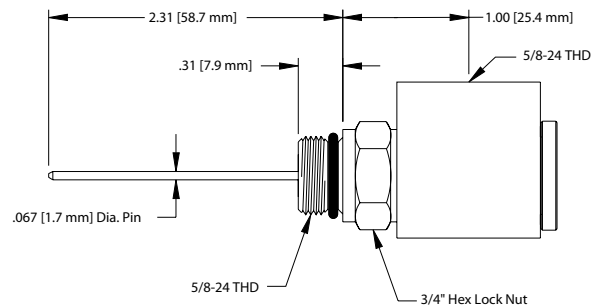
O-rings are ultraviolet and ozone resistant EPDM for maximum durability.

Product Features and Benefits

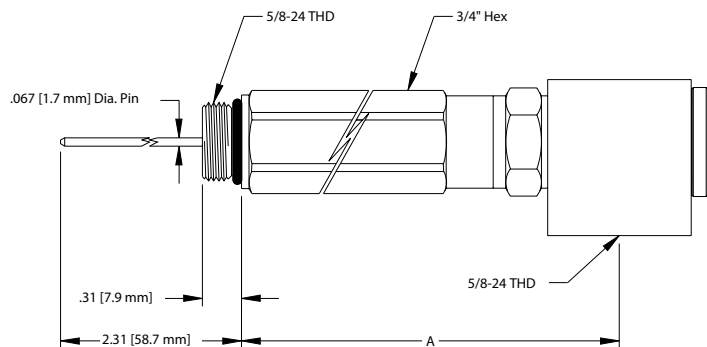
- Beryllium copper socket contact design accepts pin diameter from .065 to .075 in. [1.65 to 1.90 mm]
- Bright acid tin plated brass pin
- AC power rating: 15 amps continuous
- Return loss: >30 dB @ 1 GHz
- KS male and KS female ports meet SCTE interface practice standards

Ordering Information

Part Number  
GL-90-SC-T



Part Number	A
GL-90-SC-w/1.5-T	2.46"
GL-90-SC-w/3-T	3.96"
GL-90-SC-w/4.5-T	5.46"
GL-90-SC-w/6-T	6.96"
GL-90-SC-w/9-T	9.96"



Order From: 

800-423-2594  
www.multicominc.com  
multicom@multicominc.com