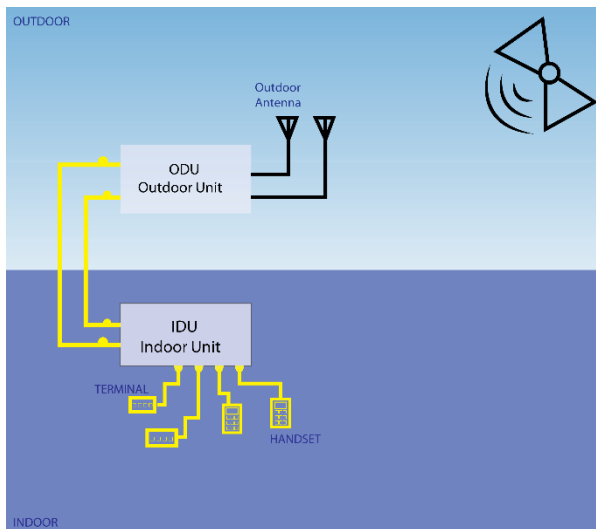




## Iridium Optical Link

# Suricate™ Iridium Optical Link



## Applications

- **Underground Facilities**
- **Military Bunkers**
- **Submarines**
- **Maritime**
- **Oil Rigs**

## Product Description

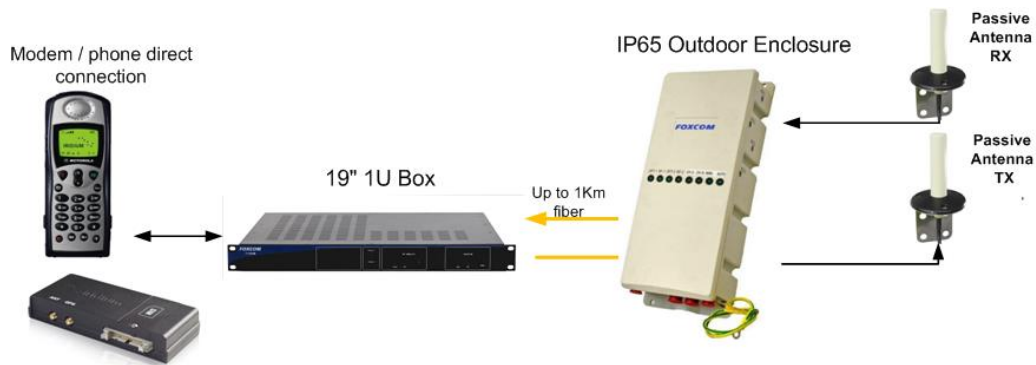
Foxcom is offering an exclusive Iridium & GPS solution, Suricate™, which enables users to stay connected to the world at all times even if all primary communication networks are down. The Iridium handset does not require sky view to operate, so users can remain inside in control rooms or bunkers during an emergency.

In addition, users can enjoy the many benefits that optical fiber has to offer, such as low RF transmission loss, improved signal quality, lightning protection, safety and ease of installation.

Foxcom's RF-over-Fiber link is the ideal solution for mobile satellite connectivity in ships, oil rigs, military bunkers and other underground facilities.

The kit consists of Foxcom's Sat-Light 4005 series outdoor unit (ODU), a 7000 Series 19" 1RU chassis with dual power supplies and dual outdoor Iridium antennas. RF coax cables are also included in the package. Pre-connectorized fiber cables are available in different lengths as an option.

# Iridium Optical Link



## Specifications

### Suricate™ Iridium Optical Link Specifications

Downlink		
Frequency range	1600-1650MHz	
ODU input / IDU output VSWR	1:1.6dBm	
ODU RF input signal range [total power]	Up to -20dBm	
Noise Figure	<5dB	
Uplink		
Frequency range	1500-1650MHz	
IDU input / ODU output VSWR	1:1.6dBm	
IDU RF input signal range [total power]	Up to +30dBm	
Noise Figure	<5dB	
Optical Specifications		
Required fiber type	Dual SMF -28 or equivalent [single mode]	
Optical wavelength	1310±10nm	
IDU/ODU optical power output	-3dBm / 0.5mW (Min)	
Optical connector	FC-APC	
Fiber length	3Km max (2dB)	
Physical Specifications		
RF Connectors	<b>Indoor</b> Single SMA Female	<b>Outdoor</b> Dual N-Type Female
Dimensions	Compact 19" wide 1U Chassis	14" x 6" x 3"
Operating temperature	-20 to +55°C	-30 to +55°C

## Ordering Information

Product Part Number	Description
IRIDKIT02	Suricate™ Iridium optical link kit
IRIDKIT02 C	Compact Suricate™ Iridium optical link kit