

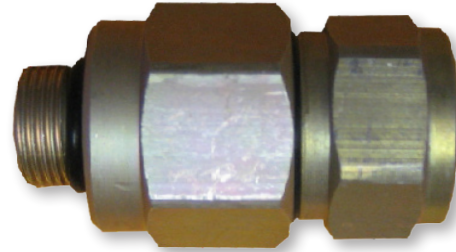


Feed-Thru Connector M-500-B-T10

Product Specifications

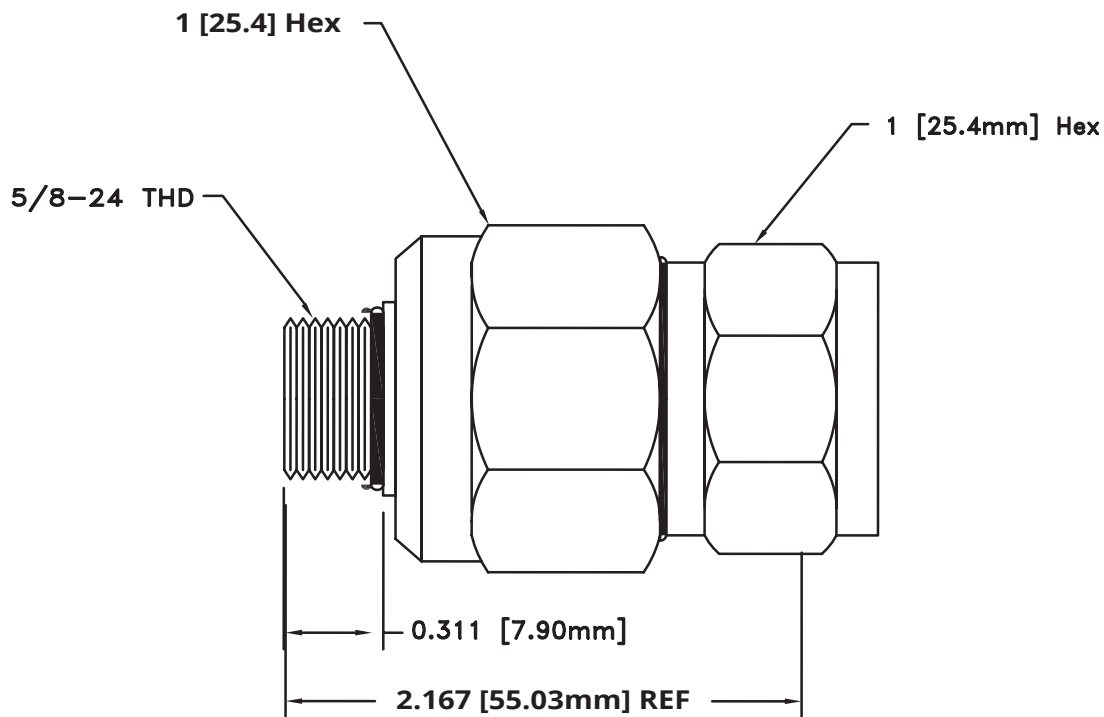
Key Features

- Aluminum Alloy with Chromate Finish
- "O" Ring Seals
- Bandwidth: 5 MHz to 1 GHz
- Nominal Impedance: 75 ohms



Description

Multicom's 500 Feed Thru Connector only seizes the outer conductor of the coaxial cable. The cable center conductor extends thru this type of connector and is retained within the equipment housing.



Part# M500-B-T10

www.multicominc.com

Multicom, Inc.

Ph: 800-423-2594

Fax: 407-339-0204

Email: multicom@multicominc.com