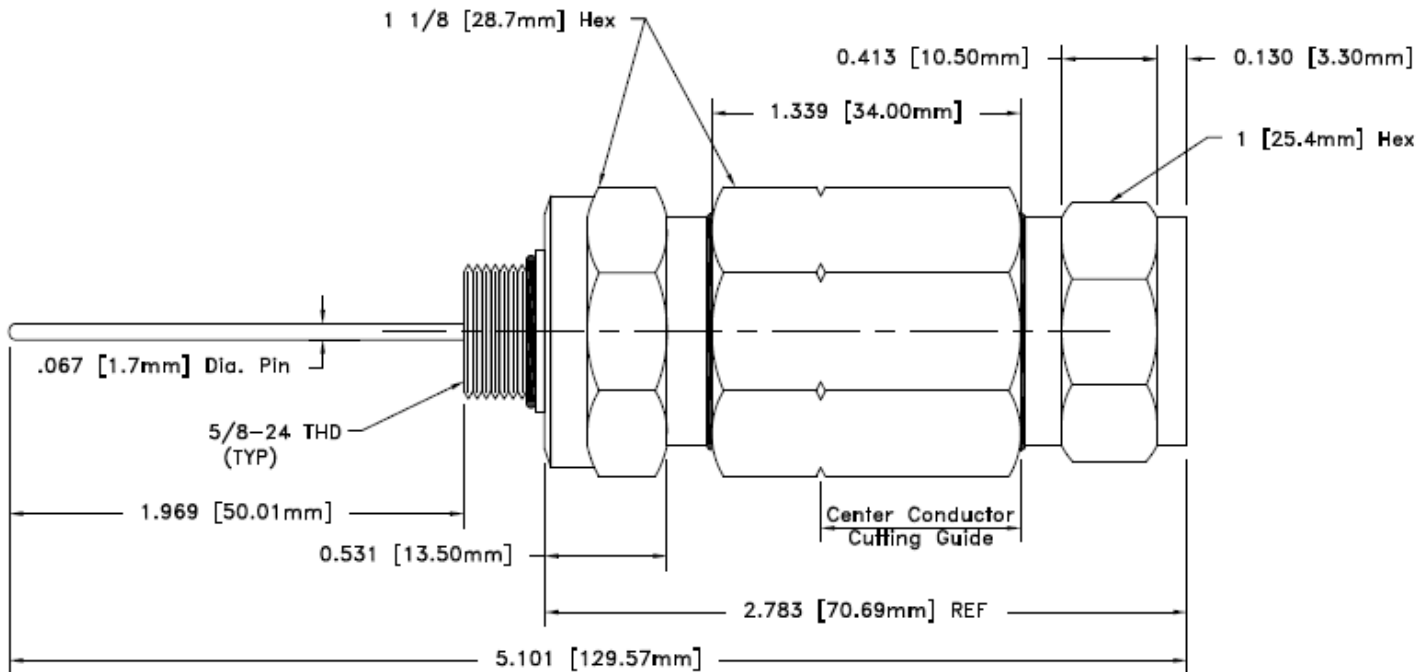
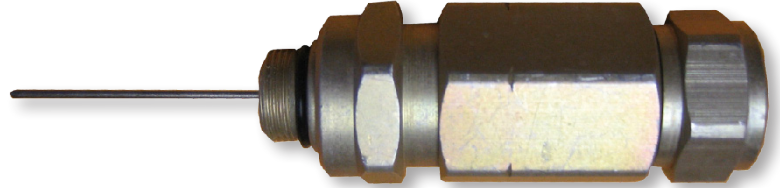


Description

Multicom's 3-piece 500 Pin Type Connector seizes the outer and center conductor of the coaxial cable. It has an additional feature not found in the feed thru type consisting of a solid brass pin which seizes and retains the cable center conductor. The pin then extends thru the body and is retained within the equipment housing.

Key Features

- Aluminum Alloy with Chromate Finish
- "O" Ring Seals
- Bandwidth: 0 MHz to 1 GHz
- Nominal Impedance: 75 ohms



Parameter	Specification
Bandwidth	0 MHz to 1GHz
Impedance	75 Ohms
Return Loss	> -30dB to 1GHz
Insertion Loss	< .10dB to 1GHz
Operating Voltage Rating	60-90 Volts (at 60Hz continuous AC)
Operating Current Rating	20 Amps (at 60Hz continuous AC)
Nominal Center Conductor	.190 inch
Nominal Cable Outside	.500 inch
Operating Temperature Range	-40° to 60°C (-40° to 140°F)

M-500-CH3-T10

500, 540, 625, 750, 875