

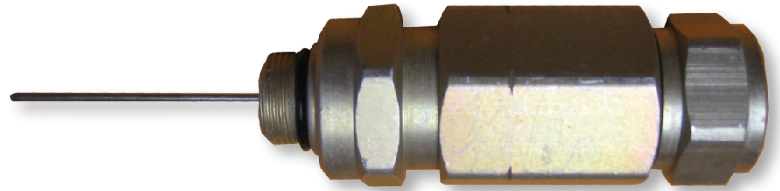


Pin Connector M-500-CH3-T10

Product Specifications

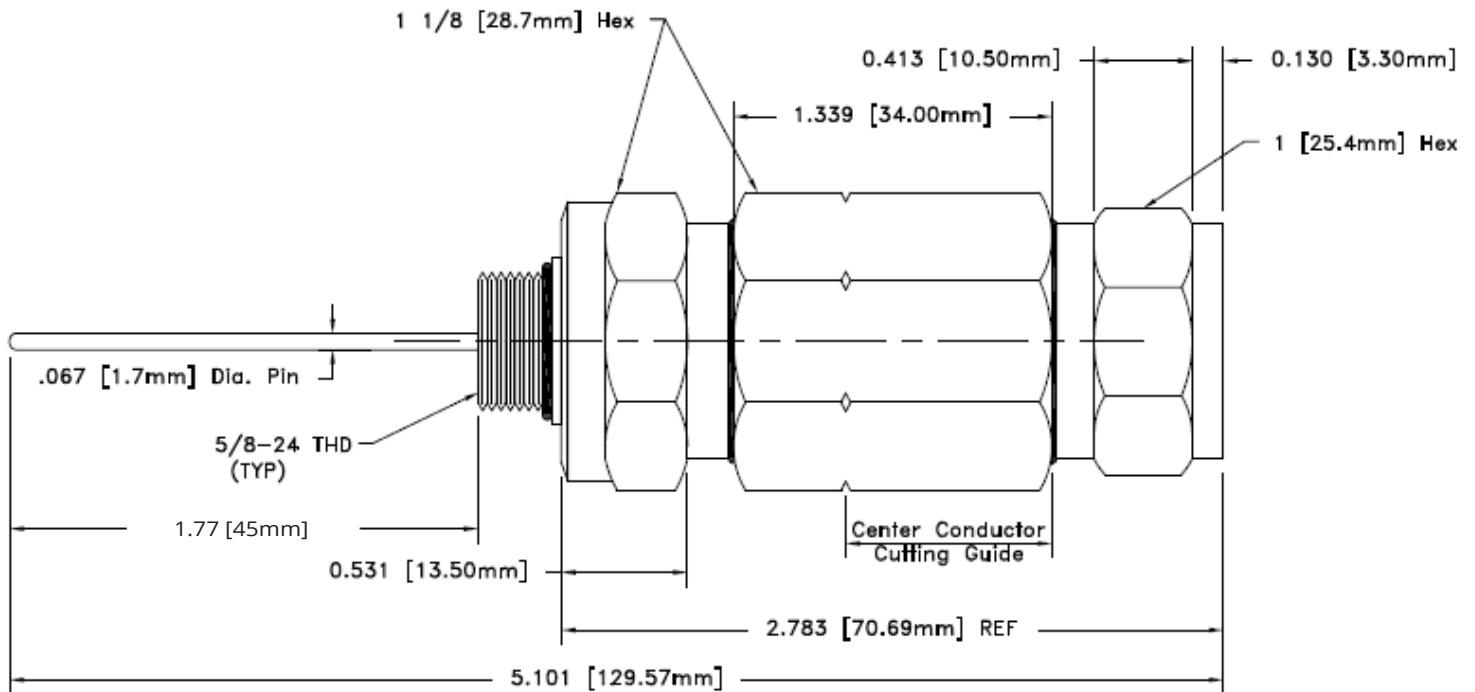
Key Features

- Aluminum Alloy with Chromate Finish
- "O" Ring Seals
- Bandwidth: 5 MHz to 1 GHz
- Nominal Impedance: 75 ohms



Description

Multicom's 3-piece 500 Pin Type Connector seizes the outer and center conductor of the coaxial cable. It has an additional feature not found in the feed thru type consisting of a solid brass pin which seizes and retains the cable center conductor. The pin then extends thru the body and is retained within the equipment housing.



Part# M-500-CH3-T10

Also available:
M540-CH3-T10
M625-CH3-T10
M750-CH3-T10
M875-CH3-T10

www.multicominc.com

Multicom, Inc.
Ph: 800-423-2594
Fax: 407-339-0204

Email: multicom@multicominc.com