

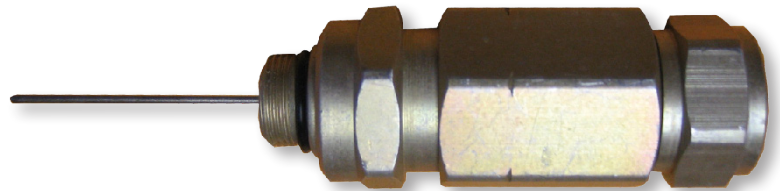


# Trunk Connector M-750-CH3-T10

## Product Specifications

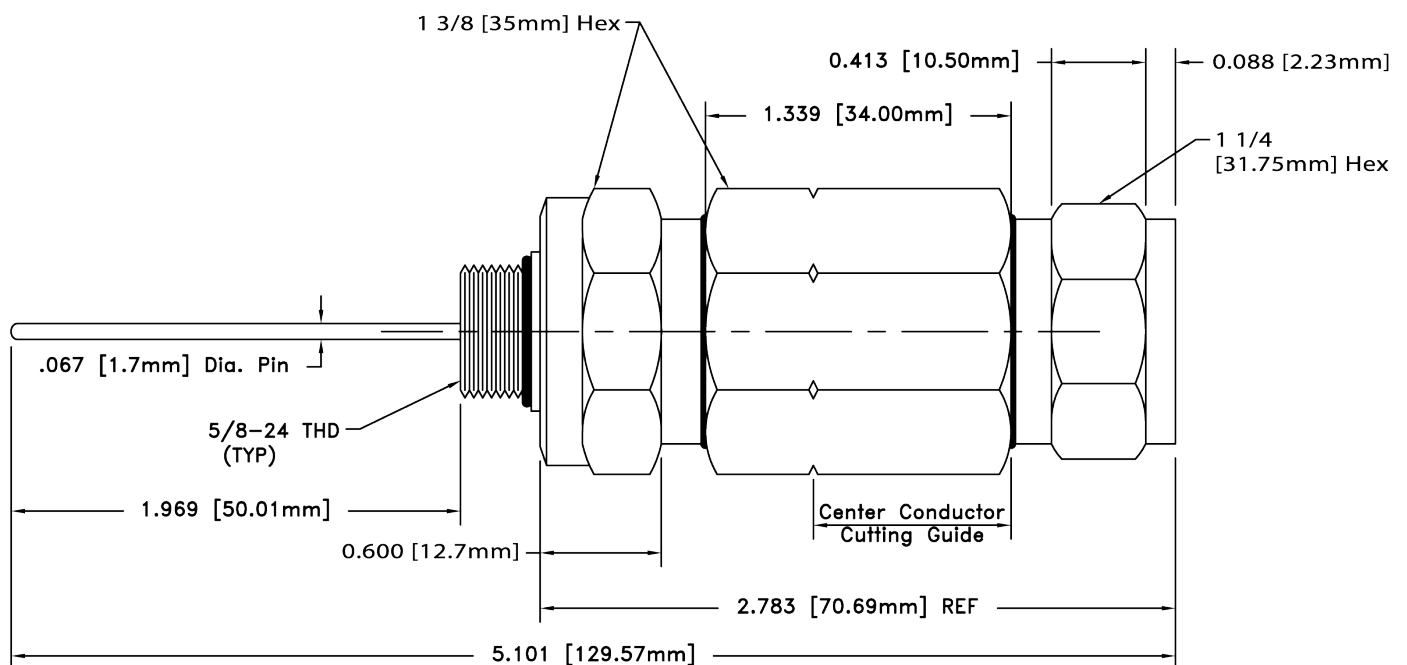
### Key Features

- Aluminum Alloy with Chromate Finish
- "O" Ring Seals
- Bandwidth: 5 MHz to 1 GHz
- Nominal Impedance: 75 ohms



### Description

Multicom's 3-piece 750 Pin Type Connector seizes the outer and center conductor of the coaxial cable. It has an additional feature not found in the feed thru type consisting of a solid brass pin which seizes and retains the cable center conductor. The pin then extends thru the body and is retained within the equipment housing.



Part# M-750-CH3-T10

[www.multicominc.com](http://www.multicominc.com)

Multicom, Inc.

Ph: 800-423-2594

Fax: 407-339-0204

Email: [multicom@multicominc.com](mailto:multicom@multicominc.com)