



Housing to Housing Connector M-HSG-HSG

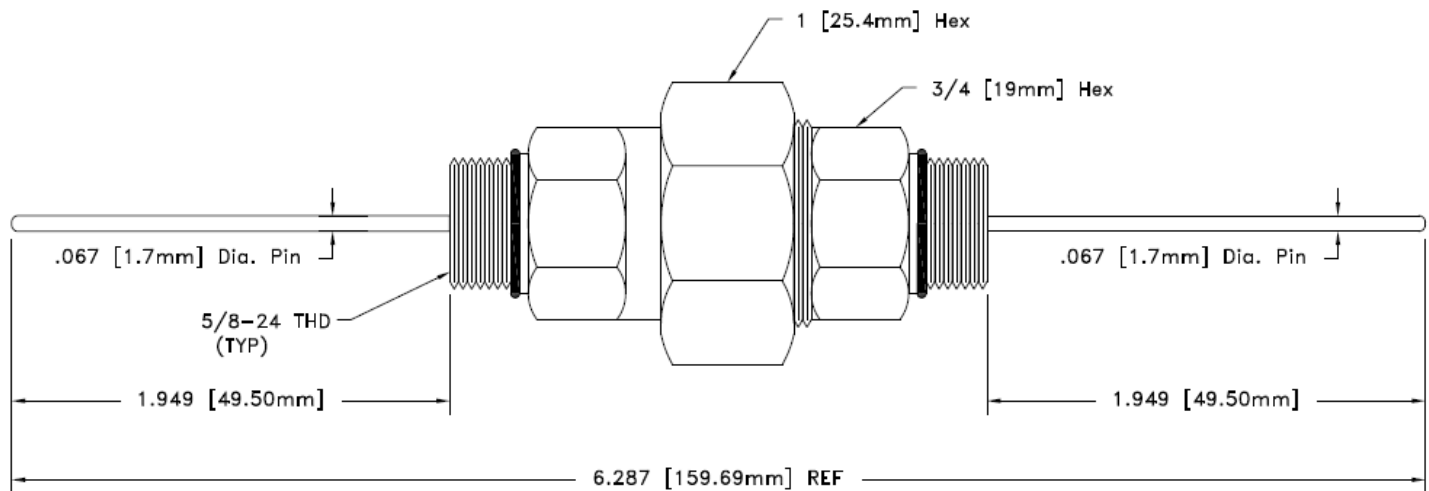
Product Specifications

Description

Multicom's Housing to Housing Connector eliminates the need for jumpers and allows the connection of equipment.

Key Features

- Aluminum Alloy with Chromate Finish
- "O" Ring Seals
- Bandwidth: 0 MHz to 1 GHz
- Nominal Impedance: 75 ohms



Parameter	Specification
Bandwidth	0 MHz to 1GHz
Impedance	75 Ohms
Return Loss	>30dB
Insertion Loss	< .10dB
Operating Voltage Rating	60-90 Volts (at 60Hz continuous AC)
Operating Current Rating	20 Amps (at 60Hz continuous AC)
Shielding Effectiveness	>120dB
Operating Temperature Range	-40° to 60°C (-40° to 140°F)

M-HSG-HSG

www.multicominc.com

Multicom, Inc.
Ph: 800-423-2594 / 407-331-7779
Fax: 407-339-0204
Email: multicom@multicominc.com