



Fiber Optic Drop Cable with Messenger

Product Specifications

Description

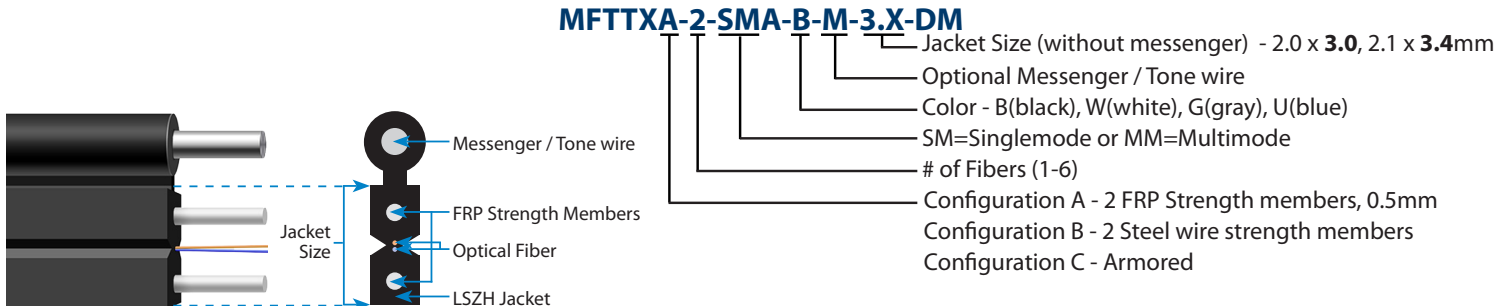
Multicom's Fiber Optic Drop Cable uses special low-bend-sensitivity fiber B6 (G.657A1), providing greater bandwidth and excellent communication transmission properties. Two parallel strength members (non-metallic FRP), ensures the optical fibers are protected. The low smoke zero halogen (LSZH) jacket allows for safety and environmental protection. The cable is light weight with a flute design which can be easily be stripped and spliced, simplifying installation and maintenance. The messenger enhances the overall tensile strength of the cable.

Features

- Figure-eight construction for use with standard messenger clamping and support hardware
- FRP strength members
- LSZH outer cable jacket for excellent UV and weather resistance
- Figure-eight fiber optic cables meet all functional requirements

Specification	Technical Parameters	
Fiber Type	G.657A1, Singlemode	
Number of Fibers	1 to 6	
Fiber Core Diameter	245 ±10µm	
Attenuation	1310nm	≤0.36 (dB/km)
	1383nm	≤0.34 (dB/km)
	1550nm	≤0.25 (dB/km)
	1625nm	≤0.23 (dB/km)
Attenuation (after hydrogen aging)	1363nm avg. value	≤1310nm ~ 1625nm max.

Specification	Technical Parameter	
Cable Diameter	3.0mm	3.4mm
Zero Dispersion Wavelength	1300nm ~ 1324nm	
Zero Dispersion Slope	≤0.092ps / (nm²km)	
Coefficient Mode Dispersion	≤0.2ps / SQRT (km)	
Cable Cut-off Wavelength	λ _{cc} < 1260nm	
Mode Field Parameter	1310nm - 9.0 ±0.3µm	
Cladding Diameter	125.0 ±0.5µm	
Cladding Non-circularity	<0.5%	
Core-clad Concentricity	≤0.5µm	
Coating Diameter	245 ±10µm	
Fiber Core Coating Material	UV Hardened Resin	
Cable Diameter	2.0 x 5.0 ±0.1mm	2.1 x 5.6 ±0.1mm
Cable Diameter (body, no messenger)	2.0 x 3.0 ±0.1mm	2.1 x 3.4 ±0.1mm
Strength Member Reinforcement	FRP, 0.5mm diameter	
Jacket	LSZH	
Jacket Shore Hardness	≥55D	
Jacket Size (without messenger)	2.0 x 3.0mm	2.1 x 3.4mm
Jacket Fire Performance	Tested for vertical flame propagation for a single cable	
Messenger	Steel wire, 1.0mm diameter	
Tensile Strength (Short/Long Term)	300N/600N	
Working Temperature	-20° ~ 60°C (-4° ~ 140°F)	
Temperature Cycling Induced Attenuation	≤0.05 dB/km	
Bending Specificity (30mm*10 laps)	≤0.05 dB (λ=1550nm)	
Packaging	1500m / Plywood Drum / Cardboard Carton	



www.multicominc.com

Multicom, Inc.
 Ph: 800-423-2594 / 407-331-7779
 Fax: 407-339-0204
 Email: multicom@multicominc.com