

# Backplates

Standard Signal Heads  
Programmable Signal Heads

Cabinets  
Controllers  
**Signals**  
Signs  
Software  
Specialty



High performance 3-section  
backplate, 5 inch, louvered



Standard backplate,  
8 inch, non-louvered



Standard backplate,  
5 inch, louvered

## Overview

McCain's Backplates provide a visual contrast between signal heads and the background enhancing signal visibility. Available for standard and programmable signal heads in eight and twelve inch sizes, backplates can be configured for one to five section, cluster, or combination signals. Available in a variety of standard and custom colors to match the signal head, backplates provide an aesthetically pleasing and functional look for your intersection.

## Benefits

- Enhances signal visibility by creating an environmental contrast
- Compatible with standard and programmable signal heads
- Available in a multitude of configurations
- 5" or 8" borders
- Standard and custom color options

## Product Description

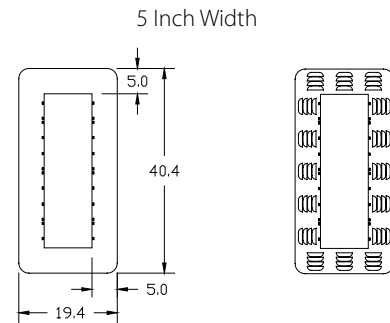
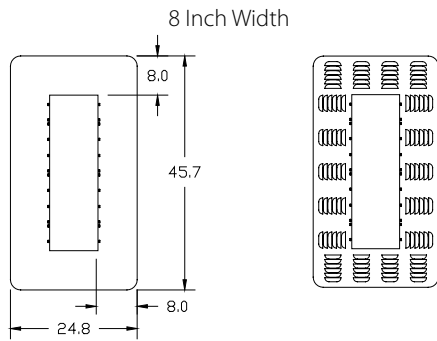
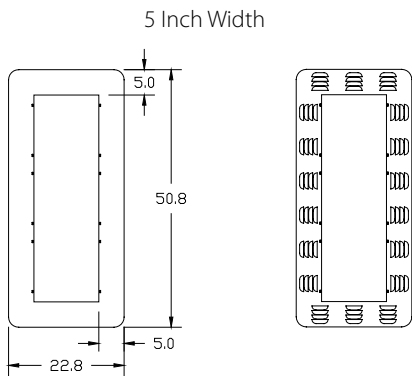
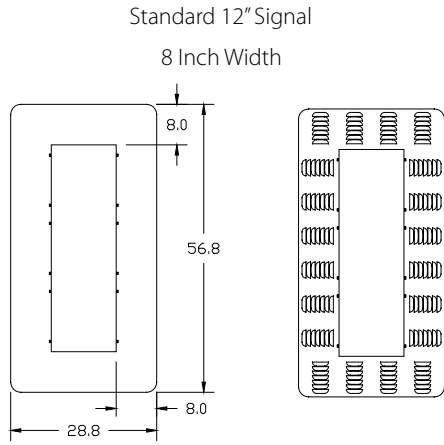
The McCain Backplate collection is ideal for use in conjunction with standard or programmable signal heads. Backplates are available in several types including aluminum, ABS sheet, and vacuum-formed ABS, and the aluminum is available in a louvered style. Vacuum-formed backplates incorporate a 1/2" lip for added strength.

All backplates are available with five or eight inch borders. Mounting methods vary depending on the backplate type.

All backplates have a flat black front face for increased visual contrast against the background. The back face of the backplates is available in a variety of colors to match your current signal housing.

Backplates are also available with reflective tape borders.

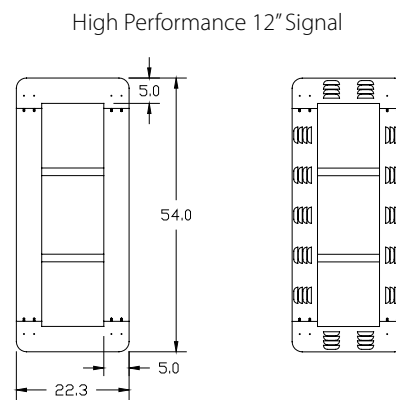
# Backplates



Typical 3-section backplates shown as examples  
Louvered types approximately the same size as non-louvered  
Dimensions rounded to the nearest 0.1"



Example of Reflective Tape  
(with louvers)



## Standard Features

- Accommodates 8", 12", cluster, and combination signal heads
- 5" or 8" borders (HP available only in 5")
- Aluminum available with or without louvers; ABS, non-louvered only
- Aluminum, ABS, and ABS vacuum formed (high performance signal head backplates are only available in aluminum)
- ABS vacuum formed have flanged edges for added strength

## General Specifications

Dimensions:	Varies based on signal configuration
Material:	Aluminum, ABS
Finish(es):	Aluminum: Powder coat ABS: Integrally molded
Color(s):	Face: Flat black Back: Federal yellow, signal green, black, or custom colors
Construction & Attachment:	Depends on style
Signal Mounting:	Elevator Plumbizer (MAS) and standard
Shipping Weight:	Varies based on signal configuration

## Options

- Modification to allow use of reflective tape on aluminum louvered and non louvered styles
- Aluminum available with flanged edges for added stiffening

Standard 8" Signal