



RAISED FLOOR ENCLOSURE SUPPORT SYSTEM™

Simplifies The Installation Of An Enclosure Onto A Raised Floor

A&E SPEC.
96-923

Time-saving and practical, the Raised Floor Enclosure Support System™ consists of 2 1/2" high riser bases which provide the ability to perform field rough-in procedures prior to the arrival of the racks and enclosures. Also handy as a lower cable chase for passing cables between racks in multi-bay applications, riser bases feature 1/8" thick fully welded construction and an attractive black powder coat finish. Riser bases feature knockouts for passing cable between joined riser bases. Riser feet bring riser bases to a 12" height for use with raised floors. Raised floor support angles support floor tiles when used with riser bases and feet. Custom width, depth and height RIB Series riser bases are also available, please call for details.

RIB Series Riser Bases Part #	# of Bays	Raised Floor Riser Feet Part #	Raised Floor Support Angles Part #	Accommodates
RIB-1-WRK-27	1	VFEET-1-12	WANGLE-1	WRK 27" depth racks
RIB-2-WRK-27	2	VFEET-2-12	WANGLE-2	WRK 27" depth racks
RIB-3-WRK-27	3	VFEET-3-12	WANGLE-3	WRK 27" depth racks
RIB-4-WRK-27	4	VFEET-4-12	WANGLE-4	WRK 27" depth racks
RIB-5-WRK-27	5	VFEET-5-12	WANGLE-5	WRK 27" depth racks
RIB-1-WRK-32	1	VFEET-1-12	WANGLE-1	WRK 32" depth racks
RIB-2-WRK-32	2	VFEET-2-12	WANGLE-2	WRK 32" depth racks
RIB-3-WRK-32	3	VFEET-3-12	WANGLE-3	WRK 32" depth racks
RIB-4-WRK-32	4	VFEET-4-12	WANGLE-4	WRK 32" depth racks
RIB-5-WRK-32	5	VFEET-5-12	WANGLE-5	WRK 32" depth racks
RIB-1-MRK-26	1	VFEET-1-12	ANGLE-1	MRK 26" depth racks
RIB-2-MRK-26	2	VFEET-2-12	ANGLE-2	MRK 26" depth racks
RIB-3-MRK-26	3	VFEET-3-12	ANGLE-3	MRK 26" depth racks
RIB-4-MRK-26	4	VFEET-4-12	ANGLE-4	MRK 26" depth racks
RIB-5-MRK-26	5	VFEET-5-12	ANGLE-5	MRK 26" depth racks
RIB-1-MRK-31	1	VFEET-1-12	ANGLE-1	MRK/VRK/VMRK 31" depth racks
RIB-2-MRK-31	2	VFEET-2-12	ANGLE-2	MRK/VRK/VMRK 31" depth racks
RIB-3-MRK-31	3	VFEET-3-12	ANGLE-3	MRK/VRK/VMRK 31" depth racks
RIB-4-MRK-31	4	VFEET-4-12	ANGLE-4	MRK/VRK/VMRK 31" depth racks
RIB-5-MRK-31	5	VFEET-5-12	ANGLE-5	MRK/VRK/VMRK 31" depth racks
RIB-1-MRK-36	1	VFEET-1-12	ANGLE-1-36	MRK/VRK 36" depth racks
RIB-2-MRK-36	2	VFEET-2-12	ANGLE-2-36	MRK/VRK 36" depth racks
RIB-3-MRK-36	3	VFEET-3-12	ANGLE-3-36	MRK/VRK 36" depth racks
RIB-4-MRK-36	4	VFEET-4-12	ANGLE-4-36	MRK/VRK 36" depth racks
RIB-5-MRK-36	5	VFEET-5-12	ANGLE-5-36	MRK/VRK 36" depth racks
RIB-1-MRK-42	1	VFEET-1-12	ANGLE-1-42	MRK 42" depth racks
RIB-2-MRK-42	2	VFEET-2-12	ANGLE-2-42	MRK 42" depth racks
RIB-3-MRK-42	3	VFEET-3-12	ANGLE-3-42	MRK 42" depth racks
RIB-1-DRK-31	1	VFEET-1-12	DANGLE-1-31	DRK 31" depth racks
RIB-2-DRK-31	2	VFEET-2-12	DANGLE-2-31	DRK 31" depth racks
RIB-3-DRK-31	3	VFEET-3-12	DANGLE-3-31	DRK 31" depth racks
RIB-1-DRK-36	1	VFEET-1-12	DANGLE-1-3642	DRK 36" depth racks
RIB-2-DRK-36	2	VFEET-2-12	DANGLE-2-3642	DRK 36" depth racks
RIB-3-DRK-36	3	VFEET-3-12	DANGLE-3-3642	DRK 36" depth racks
RIB-1-DRK-42	1	VFEET-1-12	DANGLE-1-3642	DRK 42" depth racks
RIB-2-DRK-42	2	VFEET-2-12	DANGLE-2-3642	DRK 42" depth racks
RIB-3-DRK-42	3	VFEET-3-12	DANGLE-3-3642	DRK 42" depth racks



RIB Series Riser Base shown with MRK racks and custom cable chase

accommodates WRK, MRK, DRK, VRK and VMRK Series racks and enclosures

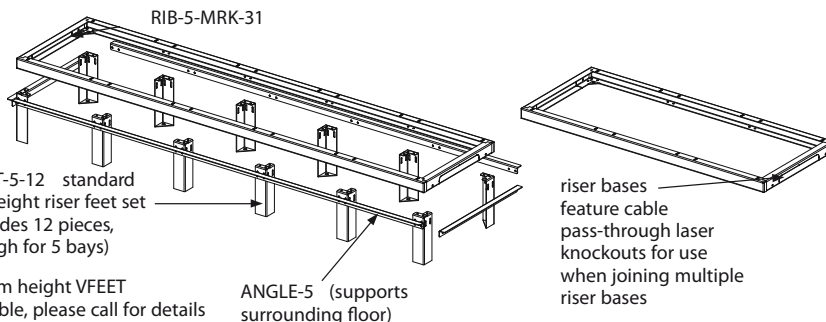


Complete Raised Floor Enclosure Support System™ shown in typical raised floor installation

example of riser base in a raised floor installation



photo courtesy of Milcom Systems, Charleston S.C., Gary Bridge, Project Mgr.



Distributed by Multicom, Inc.

1076 Florida Central Parkway, Longwood, FL 32750

www.multicominc.com Toll free: 800.423.2594 Phone: 407.331.7779 Fax: 407.339.0204 multicom@multicominc.com