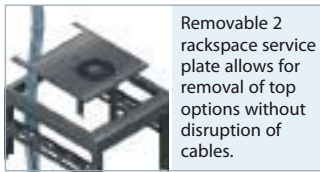
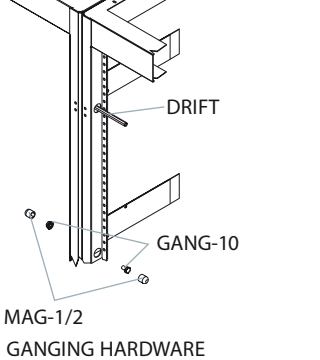
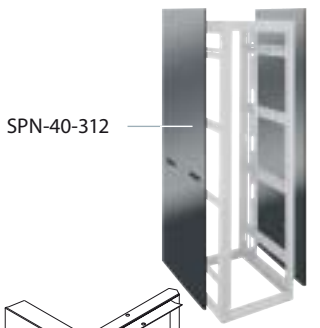
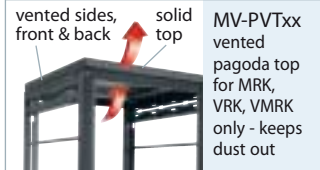
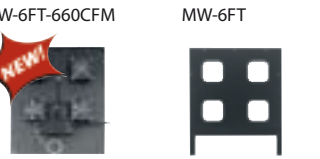
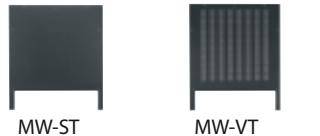


UNIVERSAL ENCLOSURE OPTIONS



Removable 2 rackspace service plate allows for removal of top options without disruption of cables.



MAG-1/2 GANGING HARDWARE

Top Options

Top options accept 4 1/2", **NEW** low-profile 6", or 10" fans for Active thermal management. Vented pagoda tops maintain enclosure temperatures through natural convection while minimizing the amount of dust and debris that can fall into the rack, and adds 1 1/2" to the top of the rack. Solid, slot pattern vented, and cable ladder adapter tops also available.

Fits WRK, MRK, VRK, VMRK, DRK Part #	Fits ERK, SCRK Part #*	Style
MW-4FT	ERK-4FT*	mounts four 4 1/2" fans (MW-4FT) or three 4 1/2" fans (ERK-4FT)
NEW MW-6FT	NEW ERK-6FT	mounts three 6" fans (MW-6FT) or two 6" fans (ERK-6FT)
MW-10FT	ERK-10FT*	mounts one 10" fan
MW-VT	ERK-VT*	slot pattern vented
MW-LVT	-	large perf vented, 64% open area
MW-ST	ERK-ST*	solid
MW-LA	-	accepts 6", 9" and 12" cable ladders
MV-PVTxx	-	vented pagoda top, MRK, VRK, VMRK only

*NOTE: black finish is standard, for granite gray finish suffix with 'GY', for light gray suffix with 'LG'.
xx = depth of MRK, VRK and VMRK only (26", 31", 36" or 42").

Integrated Fan Tops

Save time with Integrated Fan Tops! Ships assembled. Integrated fan tops include 10", **NEW** low-profile 6" or 4 1/2" fans, fan guards and optional proportional speed fan controller increases fan life, reduces noise and maintenance!

Part #	# of Fans	Fan Controller	Fits	Free Air CFM
MW-4QFT-FC	four 4 1/2" quiet fans	included	MRK,DRK,VRK,VMRK Series	200
MW-10FT-FC	one 10" fan	included	MRK,DRK,VRK,VMRK Series	550
NEW MW-4FT-380CFM	four 4 1/2" fans	optional	MRK,DRK,VRK,VMRK Series	380
NEW MW-6FT-660CFM	three 6" fans	optional	MRK,DRK,VRK,VMRK Series	660
NEW MW-10FT-550CFM	one 10" fan	optional	MRK,DRK,VRK,VMRK Series	550
ERK-4QFT-FC*	three 4 1/2" quiet fans	included	ERK,SCRK Series	150
ERK-10FT-FC*	one 10" fan	included	ERK,SCRK Series	550
NEW ERK-4FT-285CFM*	three 4 1/2" fans	optional	ERK,SCRK Series	285
NEW ERK-6FT-440CFM*	two 6" fans	optional	ERK,SCRK Series	440
NEW ERK-10FT-550CFM*	one 10" fan	optional	ERK,SCRK Series	550

*NOTE: black finish is standard, for granite gray finish suffix with 'GY', for light gray suffix with 'LG'.

Universal Side Panels

SPN Series side panels fit all WRK, MRK, VRK, VMRK, and DRK Series enclosures. (Easily lift on and off and include an internal locking kit.) Stylish beveled corners match the aesthetics of the enclosure. Black textured powder coat finish. Sold in pairs.

Part #	Fits WRK, MRK, VRK, VMRK, DRK
SPN-54-312	fits VMRK-54 only (4 pcs.)
SPN-44-36	44 space 36" deep
SPN-44-423	44 space 42" deep (4 pcs.)
SPN-44-312	44 space 31" and 32" deep
SPN-40-312	40 space 31" and 32" deep
SPN-37-312	37 space 31" and 32" deep

Part #	Fits WRK, MRK, VRK, VMRK, DRK
SPN-24-312	24 space 31" and 32" deep
SPN-44-267	44 space 26" and 27" deep
SPN-40-267	40 space 26" and 27" deep
SPN-37-267	37 space 26" and 27" deep
SPN-24-267	24 space 26" and 27" deep

*NOTE: Each side panel adds 5/8" to overall width.

Ganging Hardware

Time-saving ganging hardware provides easy field alignment and joining of multi-bay enclosures. Available hardware includes drift pins, 1/2" magnetized sockets and enough 5/16" flange nuts and bolts to gang up to 10 racks or consoles.

Part #	Description
DRIFT	set of two drift pins
MAG-1/2	set of two 1/2" magnetic sockets
GANG-10	5/16" nuts/bolts to gang 10 racks or consoles

Touch-Up Paint

Touch-up paint is ideal for small nicks incurred during and after installation. Includes paint and applicator.

Part #	Description
WRINKLE	black textured touch-up paint
PUT	putty textured touch-up paint
GY	granite gray touch-up paint
LG	light gray touch-up paint

Distributed by Multicom, Inc.

1076 Florida Central Parkway, Longwood, FL 32750

www.multicominc.com Toll free: 800.423.2594 Phone: 407.331.7779 Fax: 407.339.0204 multicom@multicominc.com