

Multicom – Your Full Solutions Provider for FTTH Products & Services is Now Offering FTTH Starter Kits for GPON



It's been three decades in the making, but Fiber To The Home (FTTH), has finally fully arrived and is transforming the communication environment worldwide. FTTH represents the most radical upgrade to the access network since the deployment of the cellular infrastructure in the 1980s and 90s. Like cellular, FTTH is having a deep impact on the entire supply chain, including technology vendors and network operators.

We have heard from many of our customers that they are looking for an easy-to-deploy, all inclusive package that includes hardware, software, support and warranty.

Together with Dasan Zhone, Multicom has come up with an FTTH Solution that fits nearly every network environment and budget – FTTH Starter Kits.

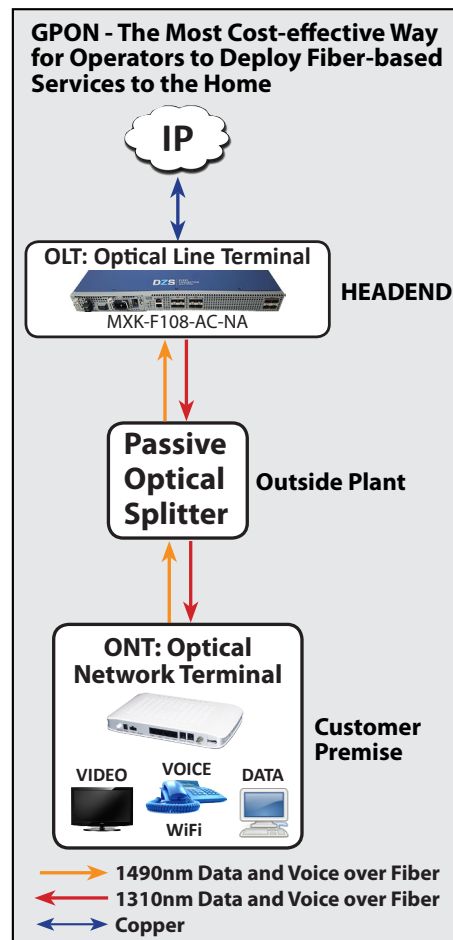
Each of the 4 Kits:

- Serves 10 homes initially
- Growth up to 256 homes
- Complete with a 1RU GPON OLT, ONTs, Software, Remote training and Extended support

There are 4 Kit Options:

- » **KIT 1: PN: MUL-MXK-GPON-256KIT-MLC** - Base Package includes ONT (4 GE, 4 POTS)
- » **KIT 2: PN: MUL-MXK-GPON-256KIT-RF** - Base Package includes ONT (4 GE, 4 POTS) + **RF**
- » **KIT 3: PN: MUL-MXK-GPON-256KIT-W** - Base Package includes ONT (4 GE, 4 POTS) + **WiFi**
- » **KIT 4: PN: MUL-MXK-GPON-256KIT-RF-W** - Base Package includes ONT (4 GE, 4 POTS) + **RF & WiFi**

All Kits Include:	Description	KIT 1	KIT 2	KIT 3	KIT 4
MXK-F108-AC-NA	OLT	✓	✓	✓	✓
MXK-GPON-SFP-B+RSSI	SFP Transceiver	✓	✓	✓	✓
ZMS-VA-5000	Software	✓	✓	✓	✓
SVC-MAINT	Warranty	✓	✓	✓	✓
SVC-REMOTE	Extended Support for: Training & Installation	✓	✓	✓	✓
ONTs – Each Kit includes a different ONT					
ZNID-GPON-2424A1-NA	ONT – 4 GigE and 2 POTS	✓			
ZNID-GPON-2425-NA	ONT – 4 GigE and 2 POTS – Plus RF		✓		
ZNID-GPON-2726-A1-NA	ONT – 4 GigE and 2 POTS – Plus WiFi			✓	
ZNID-GPON-2427A-NA	ONT – 4 GigE and 2 POTS – Plus RF & WiFi				✓



To learn more about the FTTH Starter Kits,
check our NCTC Catalog!

www.multicominc.com/nctc | 800-423-2594