

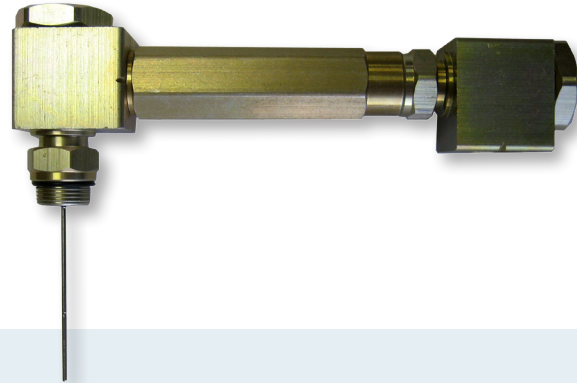


# Trunk Connector M-180 with Extensions

## Product Specifications

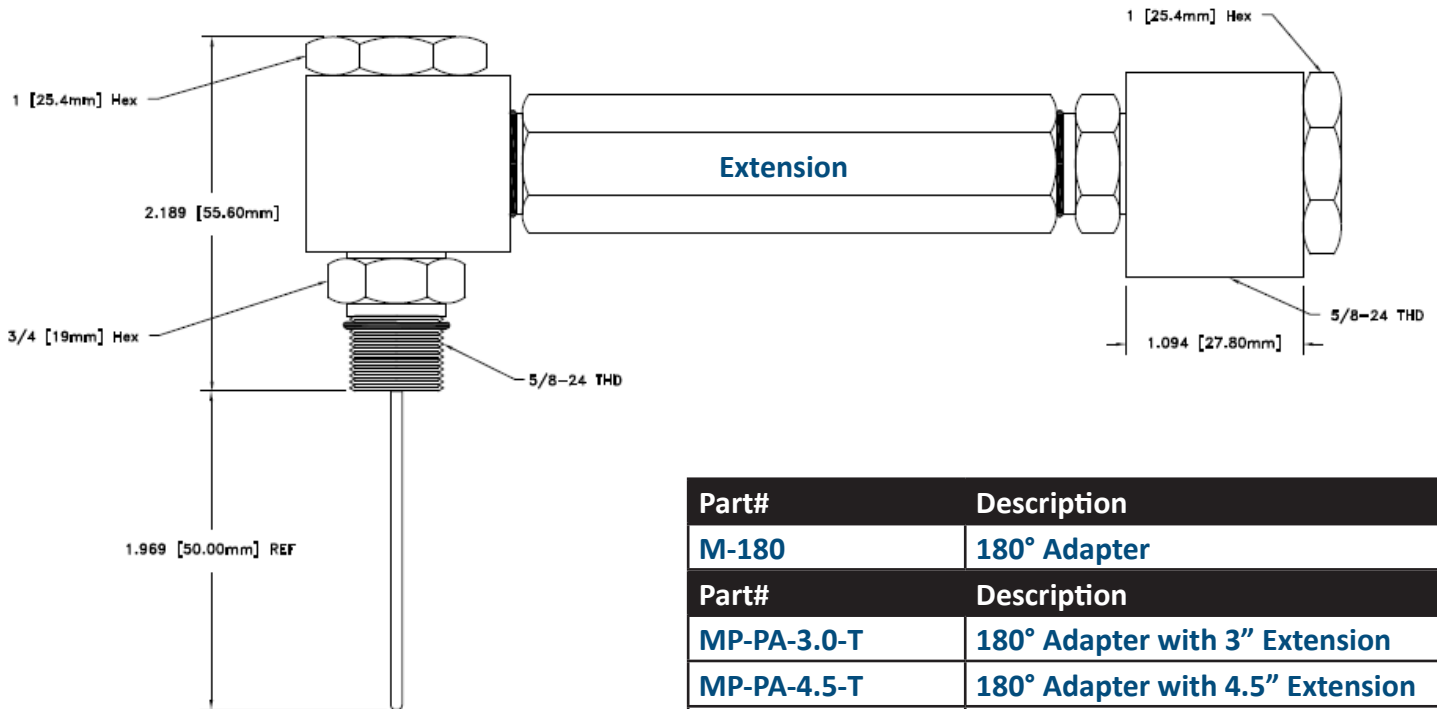
### Key Features

- Aluminum Alloy with Chromate Finish
- "O" Ring Seals
- Bandwidth: 5 MHz to 1 GHz
- Nominal Impedance: 75 ohms



### Description

Multicom's 180° Adaptor provides the connection between the amplifier and cable connector in a restricted space. M-180s can be customized with a variety of extensions.



Part#	Description
M-180	180° Adapter
Part#	Description
MP-PA-3.0-T	180° Adapter with 3" Extension
MP-PA-4.5-T	180° Adapter with 4.5" Extension
MP-PA-6.0-T	180° Adapter with 6" Extension
Part#	Description
M-EXT-3	Extension 3"
M-EXT-4.5	Extension 4.5"
M-EXT-6	Extension 6"

[www.multicominc.com](http://www.multicominc.com)

Multicom, Inc.  
Ph: 800-423-2594  
Fax: 407-339-0204  
Email: [multicom@multicominc.com](mailto:multicom@multicominc.com)