



Trunk Connector M-90

Product Specifications

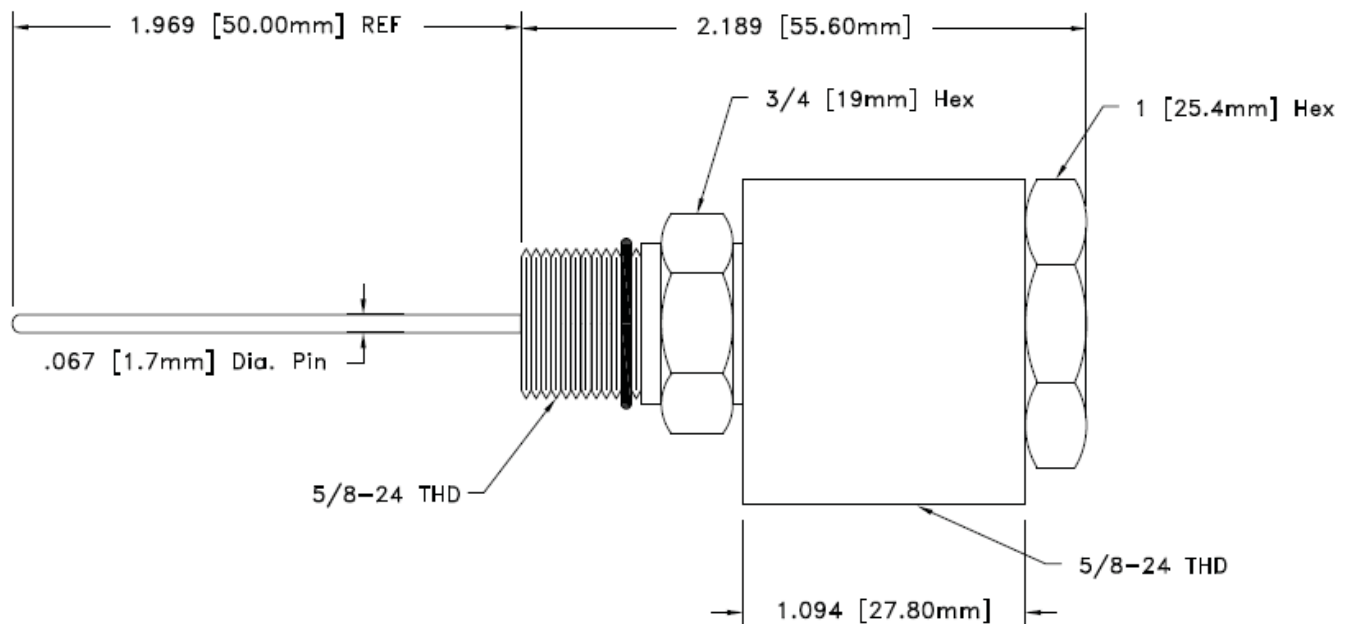
Key Features

- Aluminum Alloy with Chromate Finish
- "O" Ring Seals
- Bandwidth: 5 MHz to 1 GHz
- Nominal Impedance: 75 ohms



Description

Multicom's 90° Adaptor is designed for pedestal type installations where space restrictions require a right-angle connection between equipment and coaxial cables.



Part# M-90

www.multicominc.com

Multicom, Inc.
Ph: 800-423-2594
Fax: 407-339-0204
Email: multicom@multicominc.com