

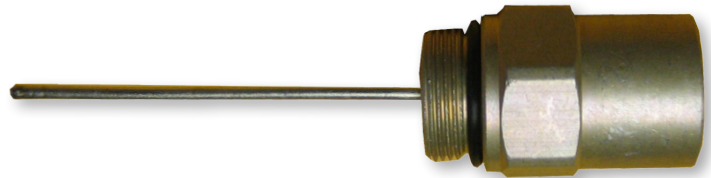


Trunk Connector M-TRM

Product Specifications

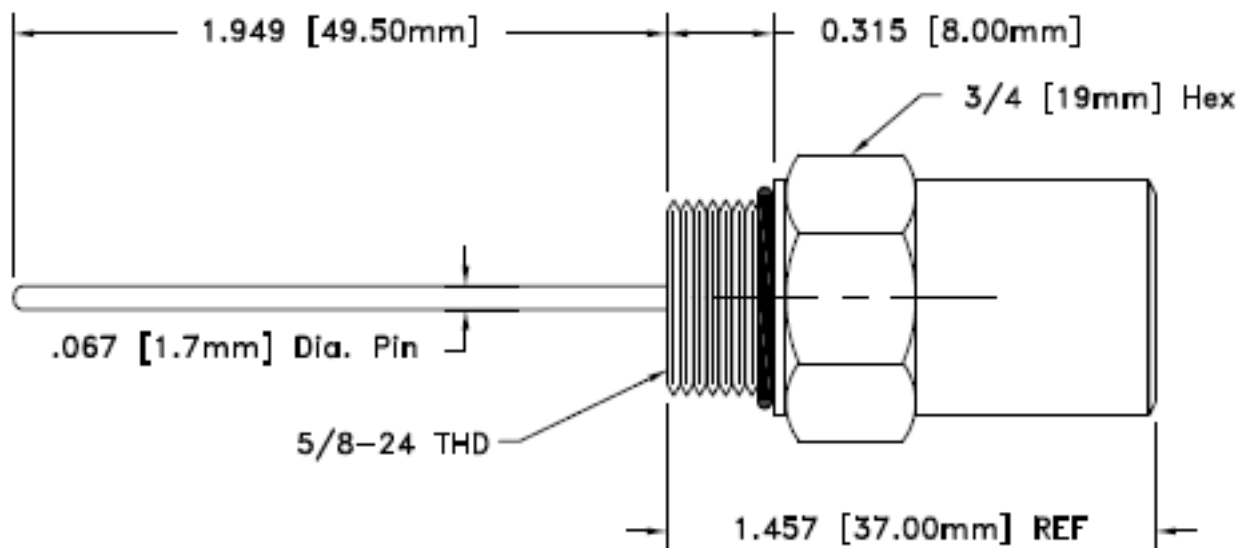
Key Features

- Aluminum Alloy with Chromate Finish
- "O" Ring Seals
- Bandwidth: 5 MHz to 1 GHz
- Nominal Impedance: 75 ohms



Description

Multicom's Housing Terminator is used in cable systems where it becomes necessary to terminate RF signal power. It seizes the outer and center conductors of the cable.



Part# M-TRM

www.multicominc.com

Multicom, Inc.
Ph: 800-423-2594
Fax: 407-339-0204
Email: multicom@multicominc.com