



# Trunk Connector MF-625-CH

## Product Specifications

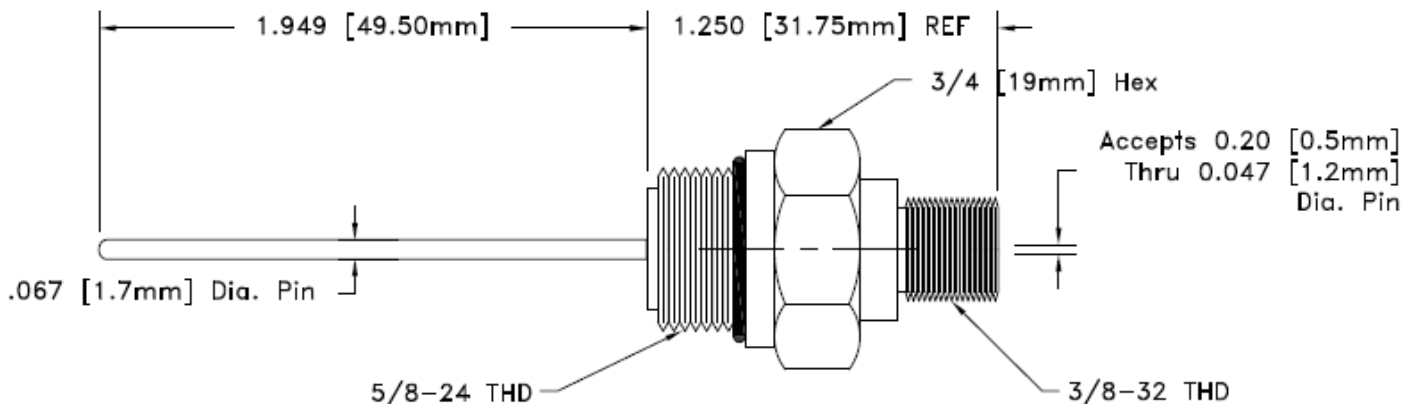
### Key Features

- Aluminum Alloy with Chromate Finish
- "O" Ring Seals
- Bandwidth: 5 MHz to 1 GHz
- Nominal Impedance: 75 ohms



### Description

The KS Male to F-Female adapter is used to change from Housing to F-Female Connector.



Part# MF-625-CH

[www.multicominc.com](http://www.multicominc.com)

Multicom, Inc.  
Ph: 800-423-2594  
Fax: 407-339-0204  
Email: [multicom@multicominc.com](mailto:multicom@multicominc.com)