



# Multicom FTTH RFoG PON WDM 1310/1490/1550/1590/1610nm

## Description

Today's FTTH systems demand innovative products for a variety of applications. The Multicom WDM (Wavelength Division Multiplexor), supports any 2-way RFoG/PON services operating with a 1550/1490nm Forward Path and 1310/1590/1610nm Return Path - over a single fiber - for seamless integration of video, voice, and data services.

## General Features

- Standard LGX Form Factor
- Mounts in a Standard LGX Chassis
- Low Insertion Loss
- Ultra-High Isolation
- Wide Operating Temperature Range
- Telcordia GR-1221-Core Compliant
- Front-Located Ports for Easy Access
- All connectors are SC/APC design for optimal power and reliability
- 1550/1490nm Forward Path, 1310/1590/1610nm Return Path, Common Port, and Monitor Test Port



FTTH RFoG PON WDM

## Applications:

The WDM is ideally suited for use in two-way and high density RFoG, PON, MDU, CATV and FTTH applications as well as in many other fiber optic-based data, video, and voice networks.

- FTTH Networks
- CATV Networks
- Optical Test Equipment

PN: MUL-WDM-RFOG/PON-S

[www.multicominc.com](http://www.multicominc.com)

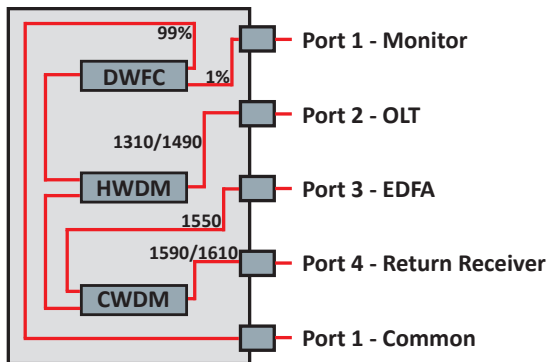
Ph: 800-423-2594



# Multicom FTTH RFoG PON WDM 1310/1490/1550/1590/1610nm

## Product Specifications

Cassette Block Diagram



### Description

Today's FTTH systems demand innovative products for a variety of applications. The Multicom WDM (Wavelength Division Multiplexor), supports any 2-way RFoG/PON services operating with a 1550/1490nm Forward Path and 1310/1590/1610nm Return Path - over a single fiber - for seamless integration of video, voice, and data services.

Parameter		Specifications	
		Min	Max
1310 Band Operating Wavelength (nm)		1260~1360 typical	
1490 Band Operating Wavelength (nm)		1480~1500 typical	
1550 Band Operating Wavelength (nm)		1550~1560 typical	
1590/1610 Band Operating Wavelength (nm)		1580~1620 typical	
Insertion Loss	1310/1490 Band - Port 2 to 5 (dB)		1.2
	1550 Band - Port 3 to 5 (dB)		1.4
	1590/1610 Band - Port 4 to 5 (dB)		1.5
	1310/1490 Band - Port 2 to 1 (dB)		24.5
	1550 Band - Port 3 to 1 (dB)		24.7
	1590/1610 Band - Port 4 to 1 (dB)		24.8
Passband Ripple (dB)			0.5
PDL (dB)			0.3
Isolation	1310/1490 Port @1550 Band (dB)	40	
	1310/1490 Port @1590/1610 Band (dB)	40	
	1550 Port @1310/1490 Band (dB)	30	
	1550 Port @1590/1610 Band (dB)	15	
	1590/1610 Port @1310/1490/1550 Band (dB)		
Return Loss with Connectors (dB)		55	
Directivity (dB)		50	
Operating Power (mW)			500
Operating Temperature (°C)		0	70
Operating Relative Humidity (%)		5	95
Storage Temperature (°C)		-40	85
Storage Relative Humidity (%)		0	100

PN: MUL-WDM-RFOG/PON-S

[www.multicominc.com](http://www.multicominc.com)

Multicom, Inc.

Ph: 407-331-7779

Fax: 407-339-0204

Email: [multicom@multicominc.com](mailto:multicom@multicominc.com)