

## OUTSIDE PLANT PRODUCTS

### 4000-D Fiber Optic Dome Closure



Shown With Optional Innerconnect Module

The Starfighter 4000-D Dome Splice Closure is designed for above or below grade applications and supports up to 6 or more cable entries. The closure has a unique gasketed Split End Plate system that allows for midaccessing cable up to 1.125" in diameter. Branch or lateral cables can be added to any one of four compression seal entry ports. Multiple cables (up to 6) can also be installed utilizing multi-port grommets available for the closure. The closure requires no special tools, adhesives, or mastics for installation. Integrated slack storage and hinged trays allow for maximum storage and access of fiber and fiber bundles. Splice capacity of 288 single fusion splices using the 4072-SSTP tray 36 splice.

#### Features & Benefits

- Completely sealed with compression seal technology
- Ease in installation requiring no special tools
- GR-771 and CATV industry compliant
- Mid-access design for installation over existing cables without disturbing a working cable
- Can be used for above or below grade applications
- Capacity: w/ (8) 4048 - SSTP - 192 Single Fusion Splices or  
Capacity: w/ (8) 4072 - SSTP - 288 Single Fusion Splices
- RUS Listed

Stock ID	Description	Dimensions	Wt. Lbs.	UOM
10-8146	4000-D Starfighter Dome Splice Enclosure with one 4072-SSTP Splice Tray	22.0" L x 10.0" D	12.50	Each
020-002-20	4000-D Starfighter Dome Splice Enclosure with one 4048-SSTP Splice Tray	22.0" L x 10.0" D	12.48	Each
10-8007	4048-SSTP 24 Fiber Splice Tray	9.75" L x 4.5" W x 0.5" D	0.57	Each
065-001-10	4072-SSTP 36 Fiber Splice Tray	10.75" L x 5.75" W x 0.5" D	0.59	Each

**OUTSIDE PLANT PRODUCTS**

**Dome Accessories**



**4000-D-AHK AERIAL HANGER KIT**

<b>Stock ID</b>	10-5324
<b>Description</b>	4000-D-AHK Aerial Hanger Kit
<b>Dimensions</b>	1.0" x 2.0" x 6.0"
<b>Weight</b>	2 lbs.
<b>Material</b>	Stainless Steel
<b>UOM</b>	Pair



**4000-D-W/P WALL/POLE MOUNTING KIT**

<b>Stock ID</b>	10-5335
<b>Description</b>	4000-D-W/P Wall / Pole Mounting Kit
<b>Dimensions</b>	2.0" x 4.0" x 24.0"
<b>Weight</b>	2 lbs.
<b>Material</b>	Steel/Galvanized
<b>UOM</b>	Each



**4000-D-SS ADSS MOUNTING KIT**

<b>Stock ID</b>	072-002-10
<b>Description</b>	4000-D-SS ADSS Mounting Kit
<b>Weight</b>	3 lbs.
<b>UOM</b>	Each



**4000-D-CAK CABLE ADDITION KIT**

<b>Stock ID</b>	10-6028
<b>Description</b>	4000-D-CAK Cable Addition Kit
<b>Weight</b>	1 lb.
<b>UOM</b>	Each

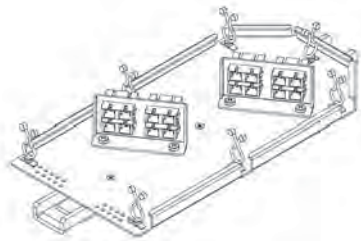
Order From:



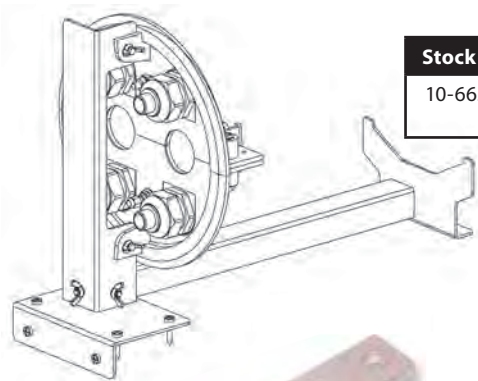
Toll Free: 800-423-2594  
 www.multicominc.com  
 multicom@multicominc.com

## OUTSIDE PLANT PRODUCTS

### Dome Accessories



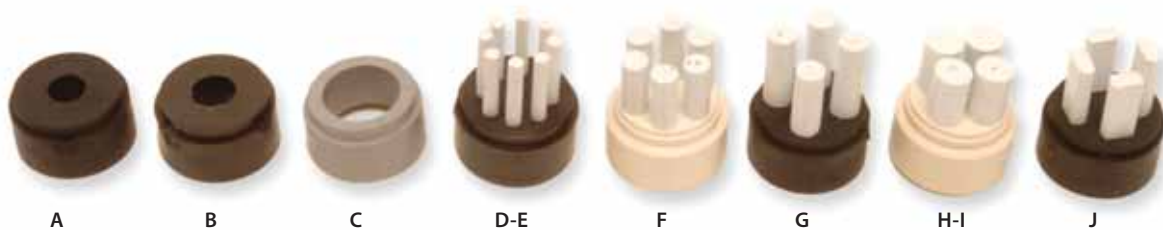
Stock ID	Description	Dimensions	Wt. Lbs.	UOM
10-6074	4000-D-4PKSCU Interconnect Module with 4 SC/UPC Bulkheads	3" x 6" x 14"	2.0	Each
10-5416	4000-D-4PKSCA Interconnect Module with 4 SC/APC Bulkheads	3" x 6" x 14"	2.0	Each
10-9164	4000-D-16PKSCU Interconnect Module with 8 SC/UPC Duplex Bulkheads (Shown) Mounts In Same	3" x 6" x 14"	2.0	Each



Stock ID	Description	Dimensions	Wt. Lbs.	UOM
10-6635	4000-D Assembly Stand Shown w/ Dome Enclosure Mounted	13"x6.5"x18.75"	-	Each



Stock ID	Description	Dimensions	Wt. Lbs.	UOM
10-7167	COMP Wrench for 1" NPT Fittings	-	0.5	Each



### GROMMET INSERTS FOR 1" NPT FITTINGS

	Single	10 Pack	# of Holes	Description / Size of Cable	Wt. Lbs.	UOM
A	10-5552	10-5553	1	.3"-.4" Diameter Cable	0.5	Each
B	10-5127	10-5421	1	.41"-.5" Diameter Cable	0.5	Each
C	10-5128	10-5422	1	.51"-.79" Diameter Cable	0.5	Each
D	10-6554	10-6555	8	.060	0.5	Each
E	10-6550	10-6551	8	.150	0.5	Each
F	10-5129	10-5419	6	.265	0.5	Each
G	10-6552	10-6553	4	.300	0.5	Each
H	10-6002	10-6003	4	.350	0.5	Each
I	10-5130	10-5483	4	.370	0.5	Each
J	10-5134	10-5420	4	Ob-Round Holes for Flat Drop Cable	0.5	Each

Order From:



Toll Free: 800-423-2594  
[www.multicominc.com](http://www.multicominc.com)  
[multicom@multicominc.com](mailto:multicom@multicominc.com)