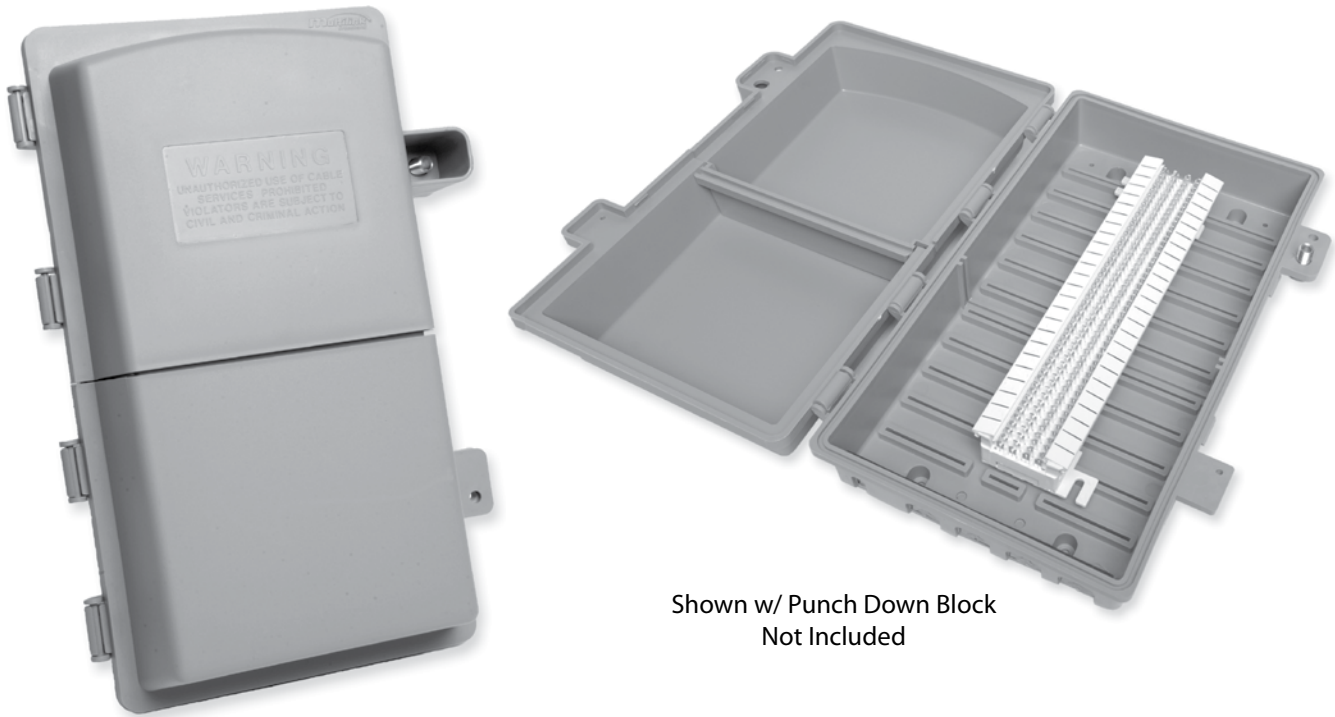


RNI-3615 Double Door Plastic Demarcation Enclosure



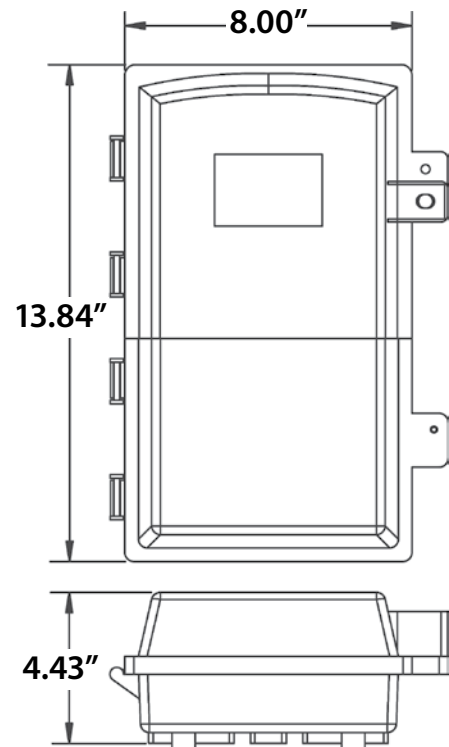
Shown w/ Punch Down Block
Not Included

Features & Benefits

- Dual door access and locking
- Removable cover
- Countersunk mounting holes for easy mounting on uneven surfaces like aluminum or vinyl siding
- Custom injected molded logo available
- Weatherized UV stabilized plastic for the ultimate protection against the element
- Enclosure can be painted with Latex paint
- Unique ribbed backing built into the enclosure for easy mounting of equipment anywhere on the pattern
- Removable plastic divider for increased versatility
- Plywood optional.
- Special resistance material available upon request, includes 15 year pro-rated warranty
- Standard color is gray

INDOOR/OUTDOOR WALL ENCLOSURE - RNI-3615

Stock ID	30632K
Description	Dual Door Demarkation Enclosure w/ Locking Terminator
Dimensions	13.84" H x 8" W x 4.43" D
Material	UV Stabilized Plastic, Gray (can be painted with latex paint)
Cable Entry	Multiple Entry Points at Bottom of Enclosure
UOM	10 per case

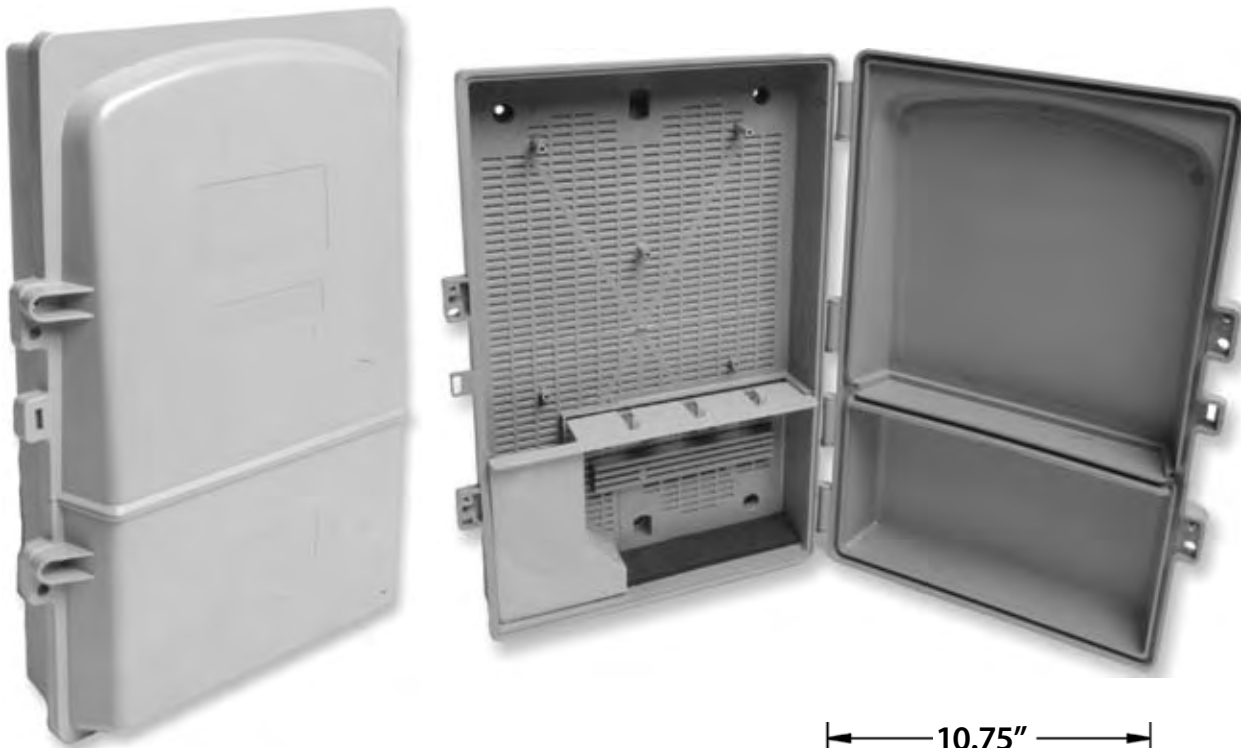


Order From:



Toll Free: 800-423-2594
www.multicominc.com
multicom@multicominc.com

Multimedia Double Door Plastic Demarcation Enclosure



Exterior Features

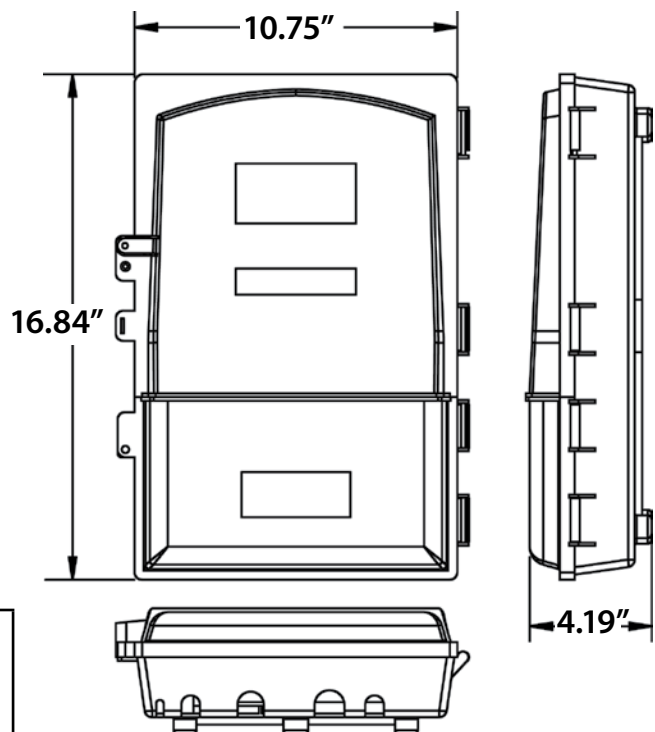
- Weatherized UV stabilized plastic for the ultimate protection against the elements
- Dual locking system
- UV stabilized plastic can be painted with Latex paint
- Countersunk mounting holes for easy mounting on uneven surfaces like aluminum or vinyl siding
- Can be wall mounted or on a pedestal stake
- Standard color is Gray
- Custom Logos/Imprints. Injection molded available

Interior Features

- Both plastic dividers can be removed for increased versatility
- The removable plastic insert plate has 2 knockouts for F-81 hex holes and an open end hex hole in the center of plate for an F-81

INDOOR/OUTDOOR WALL ENCLOSURE - RNI-3620

Stock ID	30652K
Description	Dual Door Demarkation Enclosure w/ Locking Terminator
Dimensions	16.84" H x 10.75" W x 4.19" D
Material	UV Stabilized Plastic, Gray (can be painted with latex paint)
Cable Entry	Multiple Entry Points at Bottom of Enclosure
Weight	35 lbs. per case
UOM	10 per case

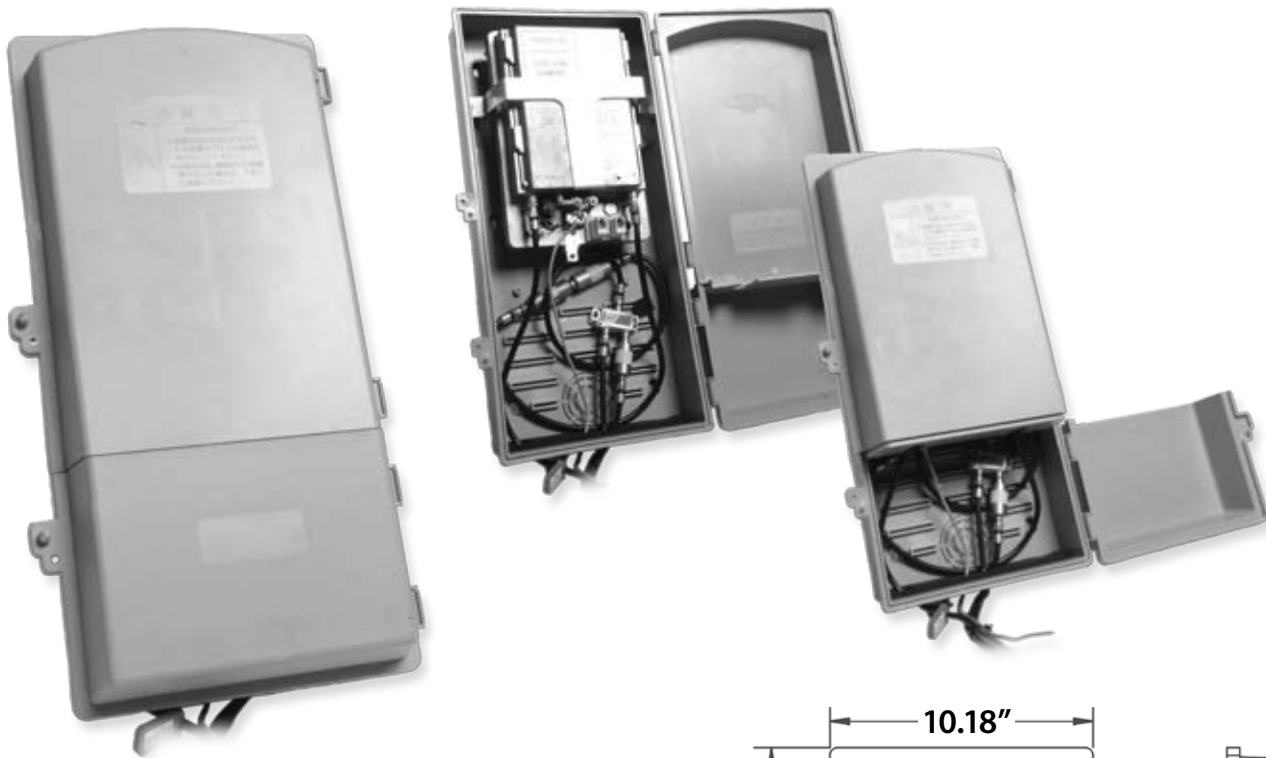


Order From:



Toll Free: 800-423-2594
www.multicominc.com
multicom@multicominc.com

RNI-5211 Single Dwelling Voice Port Enclosure

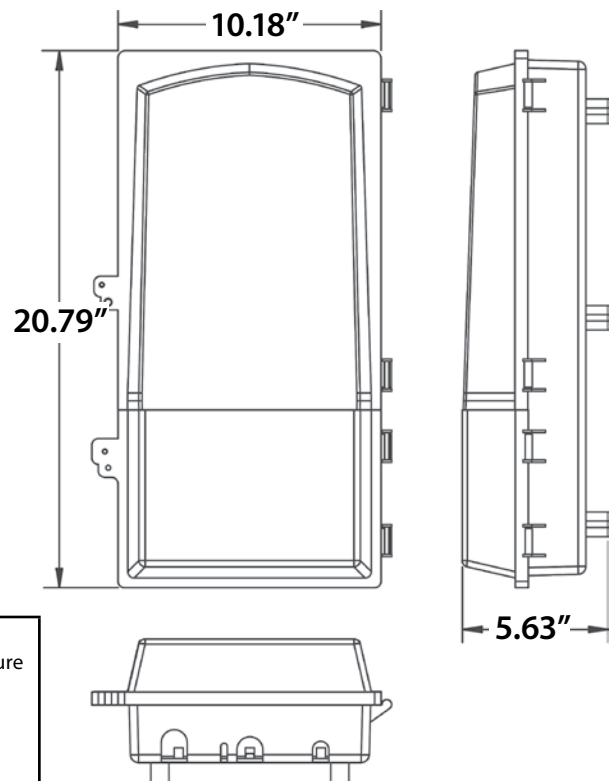


Features & Benefits

- Flexible mounting backing
- Enlarged capacity for voice part and passive devices
- Dual door locking system
- Removable doors
- Plywood optional
- Can be wall mounted, pole mounted, or stake mounted
- Standard color is light gray
- Custom Logos/Imprints. Injection molded available
- Flame retardant materials are available
- Standard color is gray
- Please call Customer Service for more information and a part number

INDOOR/OUTDOOR WALL ENCLOSURE - RNI-5211

Stock ID	30661K
Description	Dual Door, Single Dwelling Voice Port Demarcation Enclosure
Dimensions	20.79" H x 10.18" W x 5.63" D
Material	UV Stabilized Plastic, Gray (can be painted with latex paint)
Cable Entry	Multiple Entry Points at Bottom of Enclosure
UOM	10 per case



Order From:



Toll Free: 800-423-2594
 www.multicominc.com
 multicom@multicominc.com