

Flush Mount Pre-Wire Box

For New and Post Construction Applications



Applications

Make pre-wiring jobs easier with the RNSB-69 Pre-Wire box from Multilink. It's designed for use in common junction locations for pre-wiring in new and post construction applications. It mounts easily to the stud and is adjustable to any size drywall.

Features & Benefits

- Comes complete with mounting hardware
- Can be used in both new and post-construction applications
- Mounts easily to stud and is adjustable to accommodate all sizes of drywall
- Two knockouts on both top and bottom
- Cover is coated with durable white powder coating
- Custom logos and imprints are available

Part#	Description	Knockouts	Dimensions	UOM
10799K	RNSB-69 Flush Mount Pre-wire Box	2 Top / 2 Bottom / .875"	9.5" H x 6.5" W x 2.5" D	Each
11568K	RNSB-1214 Flush Mount Pre-wire Box (Non-standard Item)	3 Top / 3 Bottom / .875"	12" H x 14" W x 3" D	Each

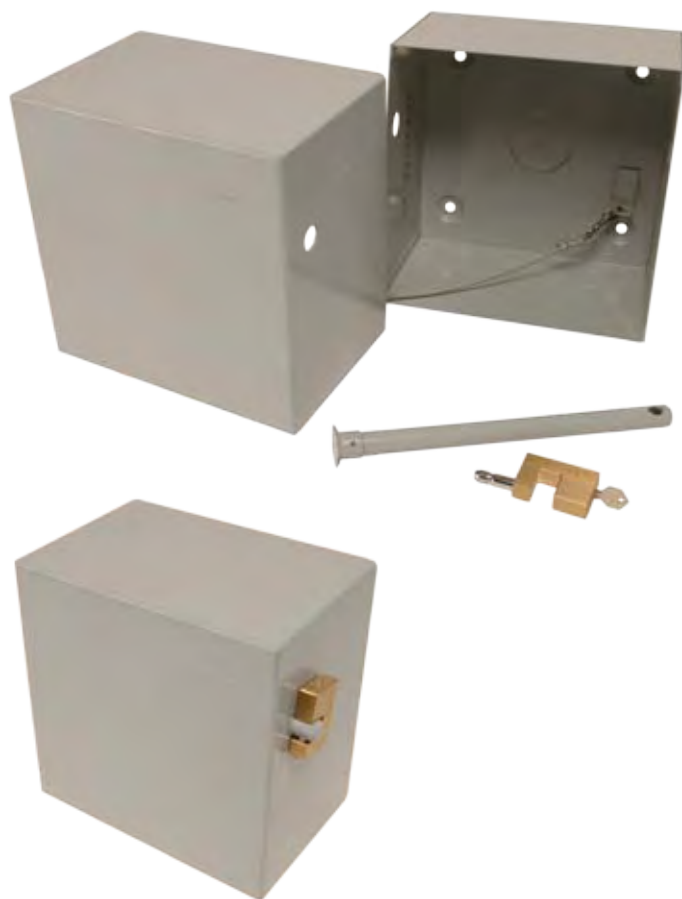
All stock codes listed are for standard options only
 Please call Customer Service for custom sizes, configurations, and lock specifications

Order From:



Toll Free: 800-423-2594
 www.multicominc.com
 multicom@multicominc.com

M1™ Ultra Series



Step up to a new level in high security steel enclosures with the M1™ ultra high security MDU steel enclosure.

Applications

The heavy duty box-in-box design combined with the unique hardened steel security bar closure assembly makes the M1™ as tough as a tank!

Features & Benefits

The M1™ Ultra Series is constructed with the cover robotically seam welded, a feature not offered by any other steel enclosure manufacturer in the Cable TV industry! The key to the higher level of security offered by the M1™ Ultra Series box is in the 7/8" diameter steel Ultra Bar which runs through the steel inner bottom and cover of the box and features a 1/2" shackle hole ready to accept practically any high security padlock. With so many features packed into a single steel enclosure it is easy to see why the new M1™ Ultra Series box is the ultimate in high security steel enclosures!

Standard Knockouts

- 1 Back / (D Size)

Recommended Sizes (W x H x D)

- 12" x 12" x 8"
- 12" x 18" x 8"
- 15" x 18" x 8"
- 18" x 24" x 8"

Part #	Description	Dimensions	UOM
10-5476	M1-12 Hardened Steel Security Bar	12"L	Each
10-5477	M1-15 Hardened Steel Security Bar	15"L	Each
10-5480	M1-18 Hardened Steel Security Bar	18"L	Each
12709	Roughneck Lid Retaining Cable With 1 Hook	-	Each
12712	Roughneck Lid Retaining Cable With 2 Hooks	-	Each

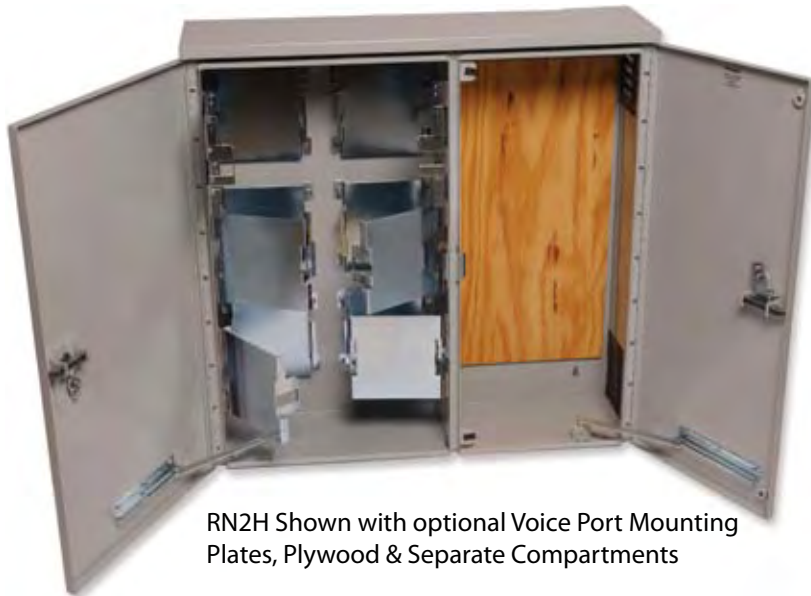
Stock codes vary depending on options such as locks and other accessories
Please call Customer Service for custom sizes, configurations, and lock specifications

Order From:



Toll Free: 800-423-2594
www.multicominc.com
multicom@multicominc.com

RN2H/RN1H



RN2H Shown with optional Voice Port Mounting Plates, Plywood & Separate Compartments



RN2H Shown with One Compartment

Features & Benefits

- Now available in depths of 10" and 15"
- Available in aluminum
- Hinged 2-door cover
- Gray baked-on polyester powder coating

Options

- 2 separated compartments
- Standard accessories
- Various locking hardware
- Standard knockouts, size and location
- Voice port mounting plates

Standard Knockouts

- 4 Bottom / 1 Side / 1.375" x 2.468" Knockouts

Recommended Sizes (W x H x D)

- 18" x 24" x 8"
- 24" x 24" x 8"
- 36" x 36" x 8"

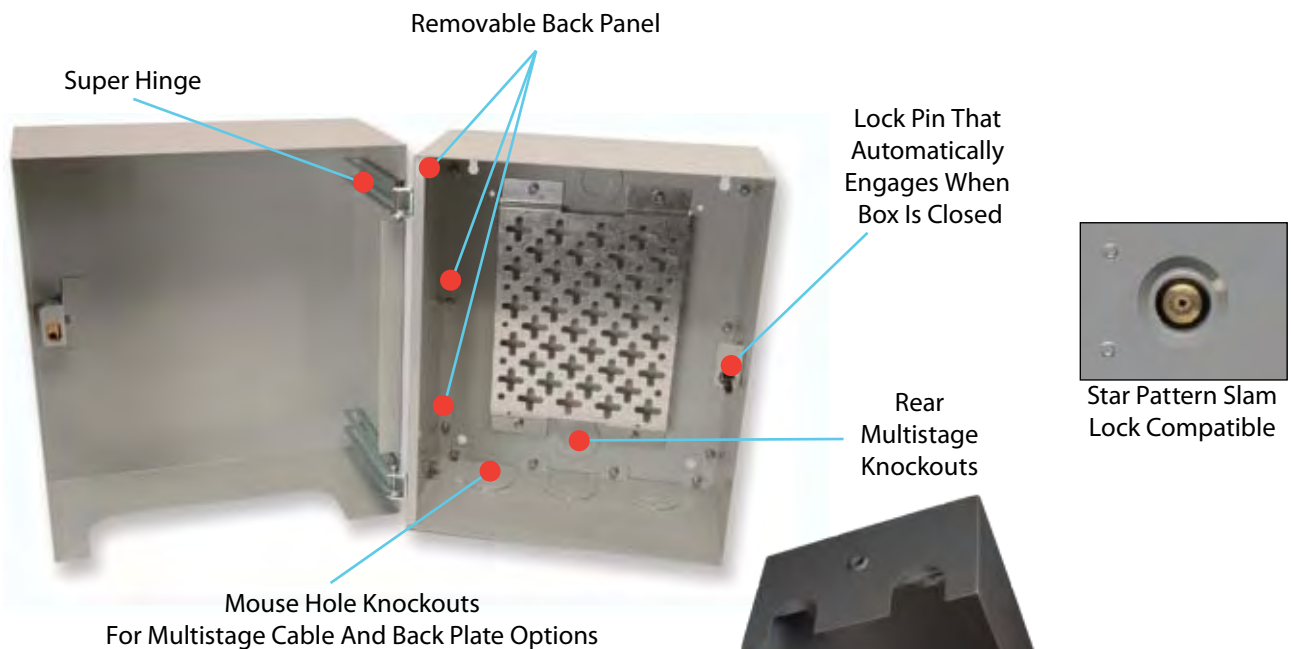
Order From:



Toll Free: 800-423-2594
www.multicominc.com
multicom@multicominc.com

RNBB - Box-In-Box

High Security Series Enclosure



Features & Benefits

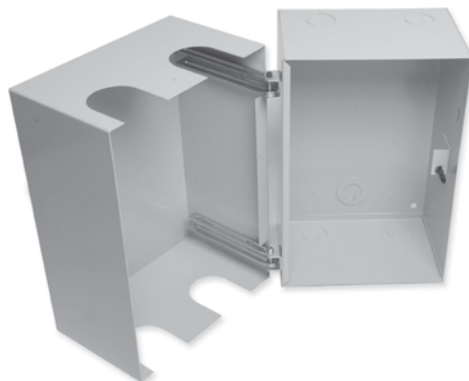
- High security bearing sleeve at locking point
- Gray baked on powder coating; UL standards outdoor box rating, high corrosion resistance
- Full back with multiple entry knockout
- Key style mounting holes for easy installation
- Drain holes to keep moisture out
- Available with Star Slam Lock
- MX and DX locking keyways available
- Available in steel or aluminum
- If aluminum is desired, add an "A" to the end of the part number
- Available with back plate option. Add "PLT" to Box Style Knockouts will change to PVC Style.



Shown with Lift Cover (RNBBL)



Shown Closed (RNBB)



Shown with Super Heavy Duty Hinge Option (RNBBSH)



Shown with Standard Hinge Option (RNBBH)

Order From:



Toll Free: 800-423-2594
 www.multicominc.com
 multicom@multicominc.com

RNBB Box-in-Box

High Security Series Enclosures



Star Slam Lock Option shown here



Star Slam Lock Option shown again here in another box



Standard Knockouts

- 2 Bottom / 2 Back / 2 Top / "A" Size

Recommended Sizes (W x H x D)

- 12" x 12" x 8"
- 12" x 18" x 8"
- 15" x 18" x 8"
- 18" x 24" x 8" (Not Available For RNBBH)

Stock codes vary depending on options such as locks and other accessories
Please call Customer Service for custom sizes, configurations, and lock specifications



Star Slam Lock Screw

Order From:



Toll Free: 800-423-2594
www.multicominc.com
multicom@multicominc.com

RNH Hinged Series Enclosures



Features & Benefits

- Hinged cover
- Gray baked-on polyester powder coating. UL 50 standard outdoor box rating, high corrosion resistance
- Knockout for optional Cam Lock
- Multiple entry knockouts
- Indented mounting holes for easy installation
- 3/4" D-Knockout
- Drain holes to keep moisture out
- Available with Star Slam Lock
- Available with back plate option. Add "PLT" to Box Style. Knockouts will change to PVC Style.

RNH Box with Drop Stand/Organizer Option



Uses same replaceable hasp system as RNB series boxes

Recommended Sizes (W x H x D)	Standard Knockouts	
	Knockouts	Sizes
RNH-10126	2 Bottom	1 Size A / 1 Size C
RNH-12128	2 Bottom	1 Size A / 1 Size C
RNH-12188	3 Bottom	2 Size A / 1 Size C
RNH-15188	3 Bottom	2 Size A / 1 Size C
RNH-20248	3 Bottom	2 Size A / 1 Size C
RNH-24368	3 Bottom	2 Size A / 1 Size C
RNH-36368	3 Bottom	2 Size A / 1 Size C

Order From:



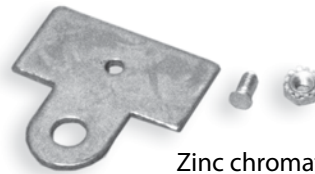
Toll Free: 800-423-2594
www.multicominc.com
multicom@multicominc.com

RNB Series Enclosures



Features & Benefits

- Gray baked-on polyester powder coating. UL 50 standard outdoor box rating, high corrosion resistance
- Knockout for optional Cam Lock
- Multiple entry knockouts
- Indented mounting holes for easy installation
- 3/4" D-Knockout
- Drain holes to keep moisture out
- Available with back plate option. Add "PLT" to Box Style. Knockouts will change to PVC Style.



Zinc chromate, replaceable hasp, standard with every RNB series box.

Recommended Sizes (W x H x D)

- 8" x 12" x 6"
- 12" x 12" x 8"
- 12" x 18" x 8"
- 15" x 18" x 8"

Recommended Sizes (W x H x D)	Standard Knockouts	
	Knockouts	Sizes
RNB-8126	2 Bottom	2 Size C
RNB-12128	2 Bottom	1 Size B / 1 Size C
RNB-12188	3 Bottom	1 Size B / 2 Size C 2 Each Side / 2 Size C
RNB-15188	3 Bottom	1 Size B / 2 Size C 2 Each Side / 2 Size C
RNB-24188	4 Bottom	2 Size B / 2 Size C 2 Each Side / 2 Size C

Stock codes vary depending on options such as locks and other accessories
Please call Customer Service for custom sizes, configurations, and lock specifications

Order From:



Toll Free: 800-423-2594
www.multicominc.com
multicom@multicominc.com

RNHL Hanging Lid Series Enclosure



Multilink is the only manufacturer of steel enclosures for the Cable TV industry that offers built-in drain holes standard throughout the entire product line

Features & Benefits

- Can be set up with a variety of cylinder locks, the Innertite Lock, or a tamper proof screw
- Gray baked-on polyester powder coating, UL standards outdoor box rating, high corrosion resistance
- Multiple entry knockouts
- Drain holes keep moisture out
- Available with back plate option. Add "PLT" to Box Style. Knockouts will change to PVC Style.

Standard Knockouts

- 2-4 Bottom / 1 Side / B & C Size

Recommended Sizes (W x H x D)

- 8" x 10" x 6"
- 10" x 10" x 6"
- 12" x 12" x 8"
- 12" x 18" x 8"
- 15" x 18" x 8"
- 18" x 24" x 8"
- 24" x 24" x 8"

Multilink is the only manufacturer of steel enclosures for the Cable TV industry that offers built-in drain holes standard throughout the entire product line.

Stock codes vary depending on options such as locks and other accessories.

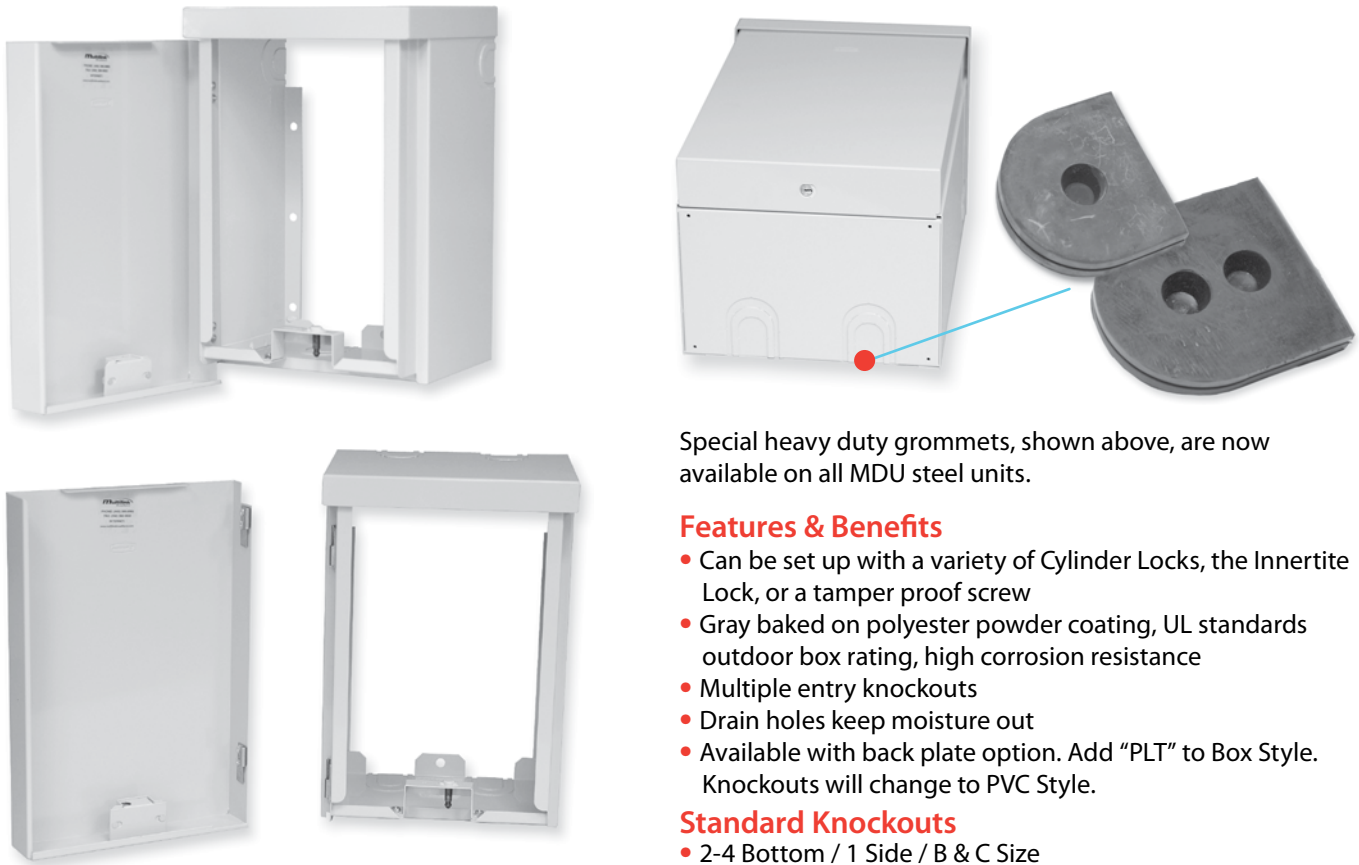
Please call Customer Service for custom sizes, configurations, and lock specifications.

Order From:



Toll Free: 800-423-2594
www.multicominc.com
multicom@multicominc.com

RNHX Side Swing Hinge Series Enclosure



Special heavy duty grommets, shown above, are now available on all MDU steel units.

Features & Benefits

- Can be set up with a variety of Cylinder Locks, the Inertite Lock, or a tamper proof screw
- Gray baked on polyester powder coating, UL standards outdoor box rating, high corrosion resistance
- Multiple entry knockouts
- Drain holes keep moisture out
- Available with back plate option. Add "PLT" to Box Style. Knockouts will change to PVC Style.

Standard Knockouts

- 2-4 Bottom / 1 Side / B & C Size

Recommended Sizes (W x H x D)

- 12" x 12" x 10"
- 12" x 18" x 10"
- 15" x 18" x 10"
- 18" x 18" x 10"
- 18" x 24" x 10"

Part#	Description	Dimensions	UOM
13028	Small Heavy Duty Special Mdu Grommet	-	Each
70910	Large Heavy Duty Special Mdu Grommet	-	Each

Please call Customer Service for more information

Stock codes vary depending on options such as locks and other accessories

Please call Customer Service for custom sizes, configurations, and lock specifications

Order From:

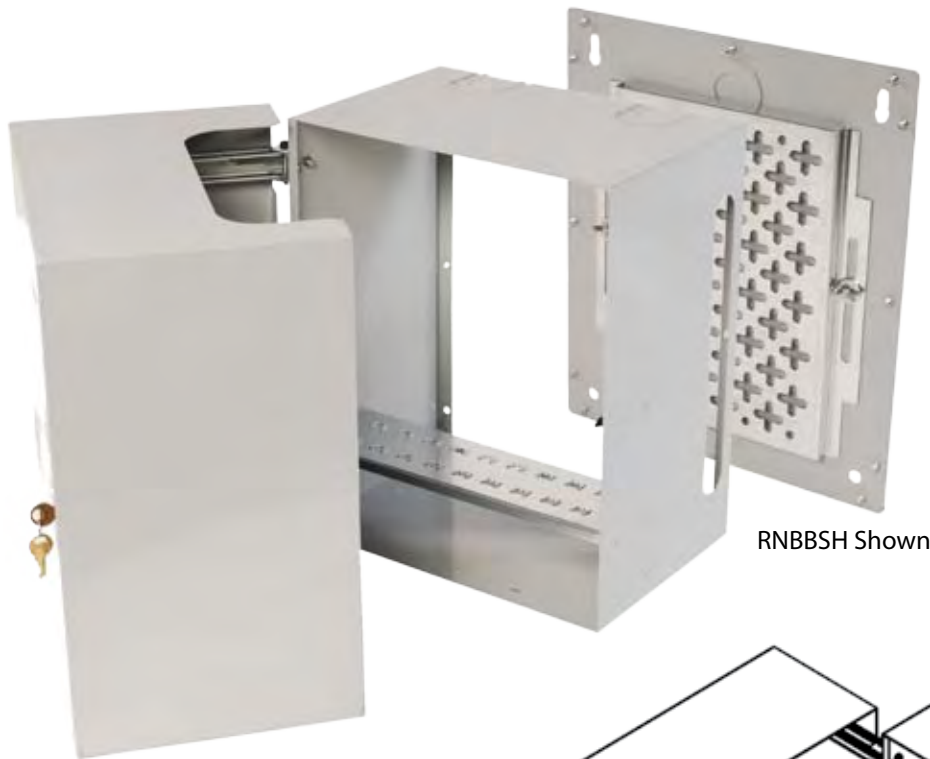


Toll Free: 800-423-2594

www.multicominc.com

multicom@multicominc.com

PLT Option



RNBBSH Shown

Features & Benefits

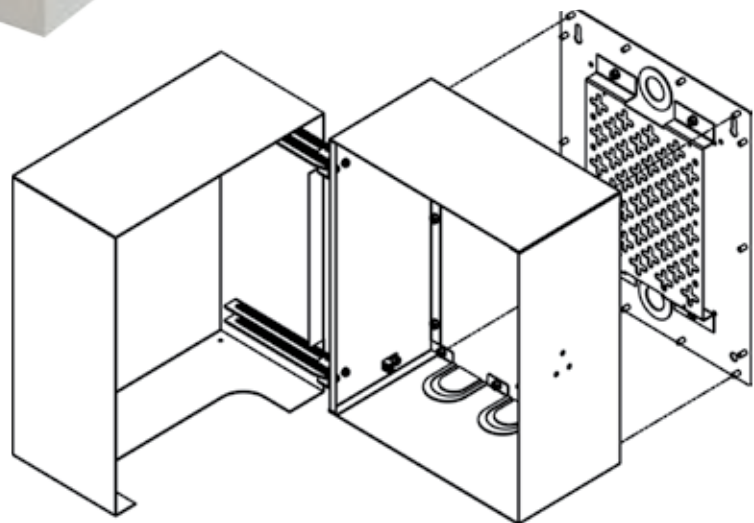
- Back plate can remain mounted to wall during maintenance to allow your customer uninterrupted service
- Gray baked-on powder coating; UL standards outdoor box rating, high corrosion resistance
- Drain holes to keep moisture out
- Designed with PVC style knockouts to accommodate a quick and easy separation from back plate
- Available in steel or aluminum

Standard Knockouts

- 2 Bottom / 2 Back / 2 Top / "A" Size

Recommended Sizes (W x H x D)

- 12" x 12" x 8"
- 12" x 18" x 8"
- 15" x 18" x 8"
- 18" x 24" x 8"



PLT Available w/ These Box Styles

- RNH - ROUGHNECK HINGED
- RNB - ROUGHNECK BASIC
- RNBB - ROUGHNECK BOX-IN-BOX
- RNHL - ROUGHNECK HANGING-LID
- M1 - ROUGHNECK ULTRA SERIES
- RTP - ROUGHNECK TOM PED
- RNBBH - ROUGHNECK BOX-IN-BOX HINGE
- RNBBSH - ROUGHNECK BOX-IN-BOX SUPER HINGE
- RN2H - ROUGHNECK 2 DOOR HINGE
- RN1H - ROUGHNECK 1 DOOR HINGE
- RNHX - ROUGHNECK REMOVABLE DOOR HINGE

Order From:



Toll Free: 800-423-2594
www.multicominc.com
multicom@multicominc.com