

AM Series JIC Size Junction Box



Features

- NEMA/EEMAC Type 4, 4X, 12 specifications
- UL 508 listed, Type 1, 2, 3, 3R, 4, 4X, 12, 13
- CSA certified LR 89590 for use with industrial equipment CSA Enc. 1, 2, 3, 4, 4X, 12, 13
- Strong, molded fiberglass reinforced polyester construction with matching flat cover
- Gasket made of closed cell neoprene cord encased in a continuous channel
- 304 stainless steel wall mounting feet with 10-32 stainless steel screws included
- 10-32 thread inserts are installed for optional back panel
- Fiberglass material is easily punched, drilled or sawed
- UV stabilized for outdoor use

Options

- Optional painted carbon steel back panels
- Optional aluminum back panels
- Custom size polycarbonate viewing windows hinge installed on short side
- Molded-in color matches
- EMI/RFI shielding
- Factory supplied silk screening

Part#	Description	Dimensions	UOM
10-9001	AM 664 SERIES JIC Size Junction Boxes With Lift Off Screw Cover	6.1" A x 6.1" B x 4.18" C	Each
10-9002	AM 864 SERIES JIC Size Junction Boxes With Lift Off Screw Cover	8" A x 6.12" B x 4.13" C	Each
10-9003	AM 1084 SERIES JIC Size Junction Boxes With Lift Off Screw Cover	10.13" A x 8.26" B x 6.13" C	Each
10-9004	AM 1086 SERIES JIC Size Junction Boxes With Lift Off Screw Cover	10.13" A x 8.26" B x 6.13" C	Each
10-9005	AM 1206 SERIES JIC Size Junction Boxes With Lift Off Screw Cover	12.13" A x 10.26" B x 6.13" C	Each
10-9006	AM 1426 SERIES JIC Size Junction Boxes With Lift Off Screw Cover	14.13" A x 12.26" B x 6.13" C	Each
10-9007	AM 1648 SERIES JIC Size Junction Boxes With Lift Off Screw Cover	16.27" A x 14.4" B x 8.13" C	Each
10-9008	AM 1868 SERIES JIC Size Junction Boxes With Lift Off Screw Cover	18.4" A x 16.4" B x 8.13" C	Each
10-9009	AM 2068 SERIES JIC Size Junction Boxes With Lift Off Screw Cover	20" A x 16" B x 8.13" C	Each
10-9010	AM 664L SERIES JIC Size Junction Boxes With Hinged Cover	6.1" A x 6.1" B x 4.18" C	Each
10-9011	AM 864L SERIES JIC Size Junction Boxes With Hinged Cover	8" A x 6.12" B x 4.13" C	Each
10-9012	AM 1084L SERIES JIC Size Junction Boxes With Hinged Cover	10.13" A x 8.26" B x 6.13" C	Each
10-9013	AM 1086L SERIES JIC Size Junction Boxes With Hinged Cover	10.13" A x 8.26" B x 6.13" C	Each
10-9014	AM 1206L SERIES JIC Size Junction Boxes With Hinged Cover	12.13" A x 10.26" B x 6.13" C	Each
10-9015	AM 1426L SERIES JIC Size Junction Boxes With Hinged Cover	14.13" A x 12.26" B x 6.13" C	Each
10-9016	AM 1648L SERIES JIC Size Junction Boxes With Hinged Cover	16.27" A x 14.4" B x 8.13" C	Each
10-9017	AM 1868L SERIES JIC Size Junction Boxes With Hinged Cover	18.4" A x 16.4" B x 8.13" C	Each
10-9018	AM 2068L SERIES JIC Size Junction Boxes With Hinged Cover	20" A x 16" B x 8.13" C	Each

Order From:



Toll Free: 800-423-2594

www.multicominc.com
multicom@multicominc.com

ML-200 Telephony Demarcation Enclosure

Ideal for terminating phone drops in cable VOIP installations



Features

- Wall or pole mountable
- Integrated security features
- Hinged cover for ease in access
- Corrosion and weatherproof for outdoor applications
- Impact resistant and UV resistant for maximum field survivability

Benefits

The Multilink ML-200 series telephony demarcation enclosure is a weatherproof outdoor product designed to allow for the interconnection or repair of traditional telephony grade copper conductors.

The enclosure can be used for interconnecting copper telephony conductors in VOIP applications without the need to re-run entire telephony inside wiring.

The enclosure can be mounted on most outdoor plant surfaces including poles and walls near existing telephony demarcation enclosures.

Within the enclosure are 4 brass posts with associated washers and nuts for terminating in-bound and out-bound copper pairs, which, if used, would allow for a means to separate the network from a station in test access situations.

The enclosure can also be used as a convenient location to repair copper conductors using standard discrete copper connectors.

The unit is designed with 2 entry ports at the unit's base for in-bound and out-bound cabling and ground wire insertion.

The cover and base are hinged and can be secured via the molded in cover and base loop located on the right hand side.

Part#	Description	Dimensions	UOM
10-6897	ML-200 Telephony Demarcation Enclosure	3.24"W x 5.0"H x 2.5"D	Each

Standard color is Gray

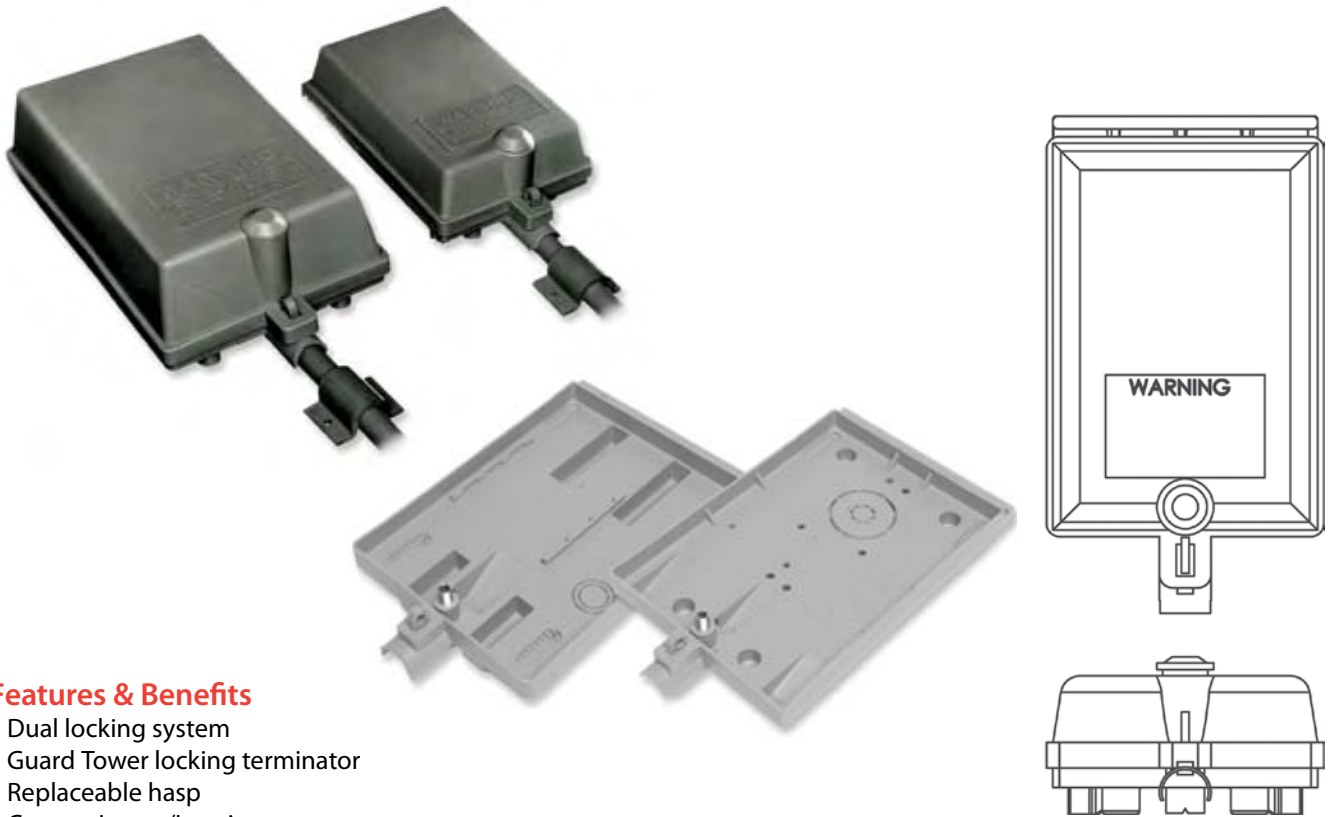
Order From:



Toll Free: 800-423-2594
www.multicominc.com
multicom@multicominc.com

Non-Captive Plastic Demarcation Enclosure

CC-1/JR, CC-1/DWB, and CC-1/110-T



Patent #331-740

Features & Benefits

- Dual locking system
- Guard Tower locking terminator
- Replaceable hasp
- Custom Logos/Imprints
- Injection Molded available
- Have it your way, we customize to your application!

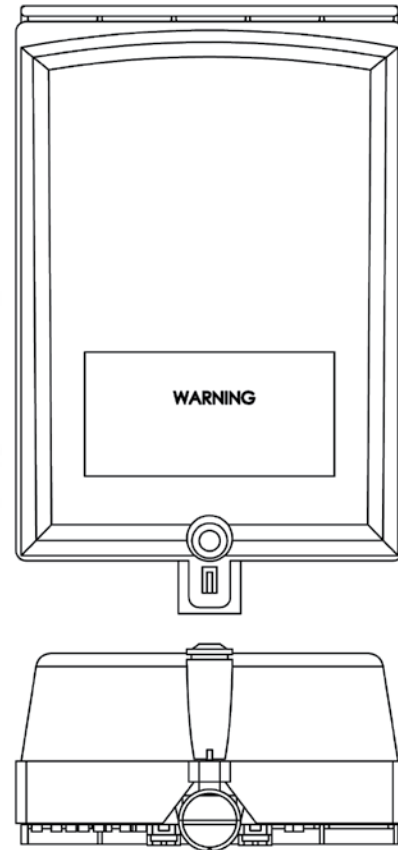
Stock ID	Description	Dimensions	Wt. Lbs./Case	UOM
30125K	CC-1/JR-T Set Up for Locking Terminator Use	7.375" H x 4.75" W x 1.625" D	26 lbs.	50/Case
30105K	CC-1/DWB-T	9.85" H x 6.75" W x 3.7" D	25 lbs.	30/Case
30306K	CC-1/DWB-TX "X" Back	9.85" H x 6.75" W x 3.7" D	25 lbs.	30/Case
30307K	CC-1/DWB-TS Tamper Proof Screw	9.85" H x 6.75" W x 3.7" D	25 lbs.	30/Case
30155K	CC-1/110-T Set Up for Locking Terminator Use	11" H x 7.0" W x 4.25" D	38 lbs.	30/Case
31440	C-1PC Terminator Cap for CC-1 Enclosures-Gray	-	-	Each

Order From:



Toll Free: 800-423-2594
www.multicominc.com
multicom@multicominc.com

SDU9134 (Single Dwelling Unit) Non-Captive Plastic Demarcation Enclosure



The SDU is more than a plastic enclosure. The innovative, NON CAPTIVE design speeds the upgrade installation time of installing a new demarcation enclosure without disconnecting the customer's service!

Features & Benefits

- Guard Tower locking terminator
- Replaceable Hasp
- Custom Logos/Imprints
- Injection molded available
- Standard color is gray

Stock ID	Description	Dimensions	Wt. Lbs./Case	UOM
30211K-T	SDU-9134 Set up with replaceable hasp and locking terminator security post	13.85" H x 9.31" W x 4" D	19 lbs.	10/Case
30222K	SDU-9134 Set up with replaceable hasp and locking terminator security post - Features Deep Lid	13.85" H x 9.31" W x 5" D	16 lbs.	8/Case

SDU-9134 features tamper proof screws 10/Case

Order From:



Toll Free: 800-423-2594
www.multicominc.com
multicom@multicominc.com