

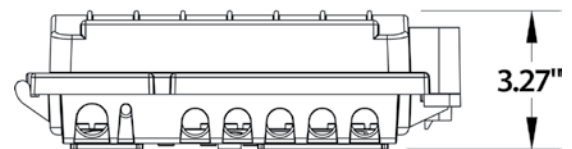
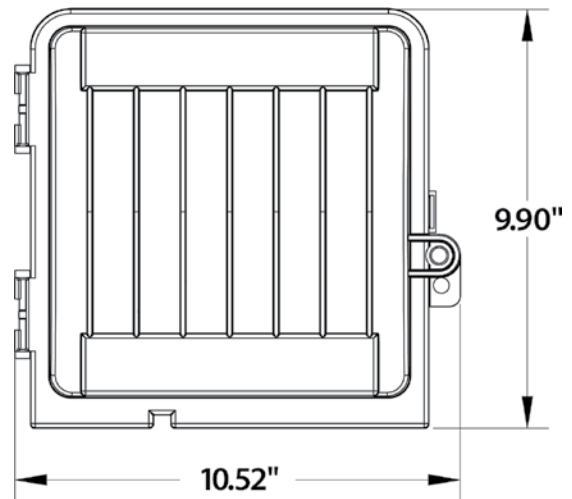
## Indoor/Outdoor Wall Enclosure RNI-1000



The RNI-1000 series enclosure is constructed with UV stabilized plastic, standard gray color. Removable door has dual locking systems and accepts custom logos/imprints. Cable entry points can be found on the bottom of this enclosure. Countersunk mounting holes for easy mounting on uneven surfaces.

### INDOOR/OUTDOOR WALL ENCLOSURE - RNI-1000

Stock ID	020-027-20
Description	Indoor/Outdoor Wall Enclosure RNI-1000
Dimensions	9.9" H x 10.52" W x 3.27" D
Capacity	7.5" H x 8.0" W x 1.75" D
Material	UV Stabilized Plastic, Gray (can be painted with latex paint)
Cable Entry	Multiple Entry Points at Bottom of Enclosure
Weight	34 lbs. per case
UOM	20 per case



Order From:



Toll Free: 800-423-2594  
 www.multicominc.com  
 multicom@multicominc.com

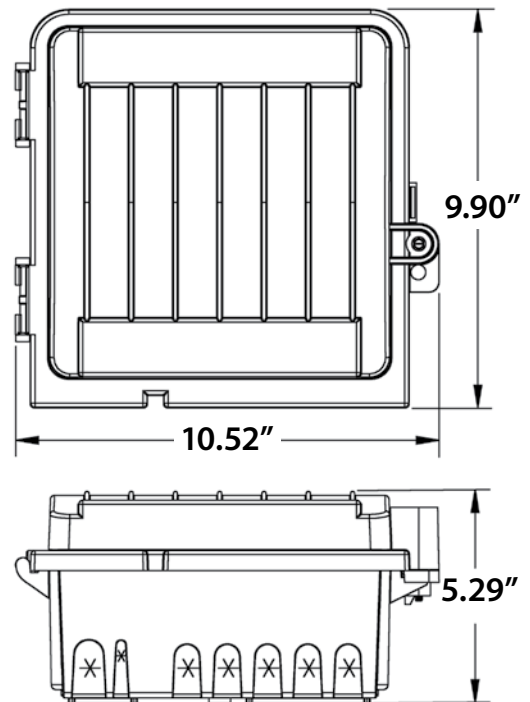
## Indoor/Outdoor Wall Enclosure RNI-1200



The RNI-1200 series enclosure is constructed with UV stabilized plastic, standard gray color. Removable door has dual locking systems and accepts custom logos/imprints. Cable entry points can be found on the bottom of this enclosure. Countersunk mounting holes for easy mounting on uneven surfaces. Back wall incorporated Flex-Mount arrangement, which incorporates mounting slots for greater flexibility in mounting more products. Slots accept #6 & #8 screws.

### INDOOR/OUTDOOR WALL ENCLOSURE - RNI-1200

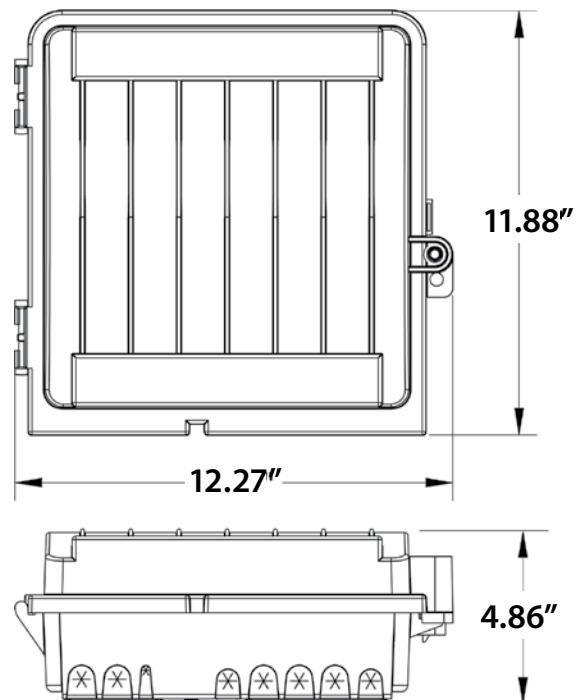
Stock ID	020-060-10
Description	Indoor/Outdoor Wall Enclosure RNI-1200
Dimensions	9.90" H x 10.52" W x 5.29" D
Capacity	7.5" H x 8.0" W x 4" D
Material	UV Stabilized Plastic, Gray (can be painted with latex paint)
Cable Entry	Multiple Entry Points at Bottom of Enclosure
Weight	13 lbs. per case
UOM	10 per case



## Indoor/Outdoor Wall Enclosure RNI-1500



The RNI-1500 series enclosure is constructed with UV stabilized plastic, standard gray color. Removable door has dual locking systems and accepts custom logos/imprints. Cable entry points can be found on the bottom of this enclosure. Countersunk mounting holes for easy mounting on uneven surfaces.



### INDOOR/OUTDOOR WALL ENCLOSURE - RNI-1500

<b>Stock ID</b>	020-028-20
<b>Description</b>	Indoor/Outdoor Wall Enclosure RNI-1500
<b>Dimensions</b>	11.88" H x 12.27" W x 4.86" D
<b>Capacity</b>	9.5" H x 9.5" W x 3.25" D
<b>Material</b>	UV Stabilized Plastic, Gray (can be painted with latex paint)
<b>Cable Entry</b>	Multiple Entry Points at Bottom of Enclosure
<b>Weight</b>	20 lbs. per case
<b>UOM</b>	10 per case

Order From:



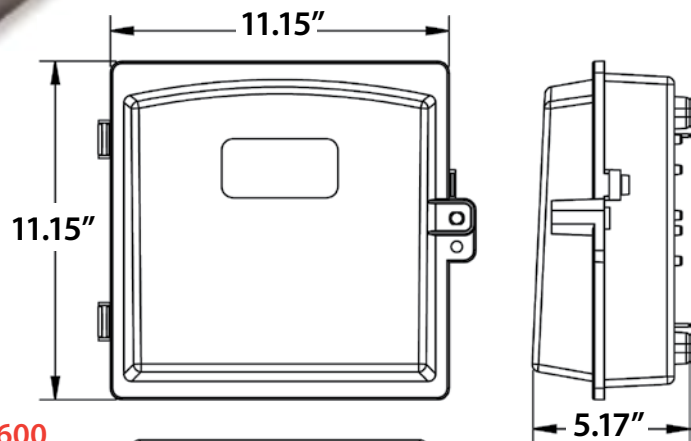
Toll Free: 800-423-2594  
 www.multicominc.com  
 multicom@multicominc.com

## Multimedia Single Door Plastic Demarcation Enclosure



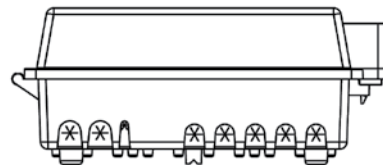
### Features & Benefits

- Dual locking system
- Removable cover
- Plywood Optional
- UV stabilized plastic can be painted with Latex paint
- Countersunk mounting holes for easy mounting on uneven surfaces like aluminum or vinyl siding
- Standard color is Gray
- Custom Logos/Imprints
- Injection molded available



### INDOOR/OUTDOOR WALL ENCLOSURE - RNI-3600

Stock ID	30617K
Description	Single Door Demarkation Enclosure w/ Locking Terminator
Dimensions	11.5" H x 11.5" W x 5.17" D
Material	UV Stabilized Plastic, Gray (can be painted with latex paint)
Cable Entry	Multiple Entry Points at Bottom of Enclosure
Weight	18lbs. per case
UOM	10 per case



Order From:



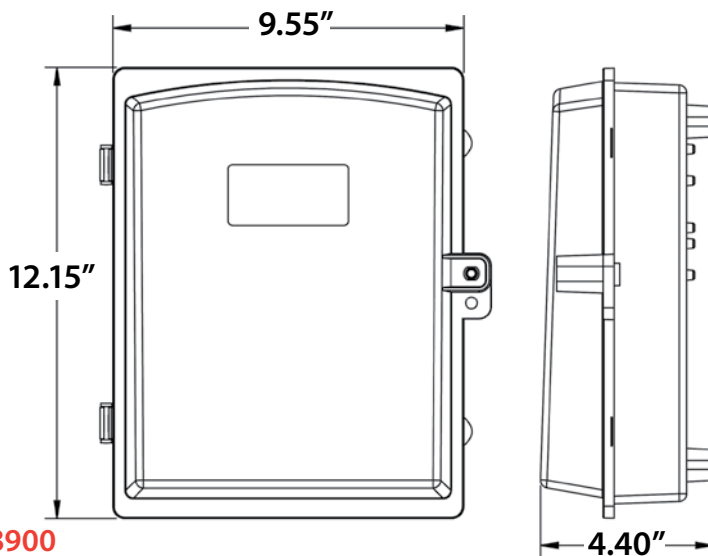
Toll Free: 800-423-2594  
[www.multicominc.com](http://www.multicominc.com)  
[multicom@multicominc.com](mailto:multicom@multicominc.com)

## RNI-3900 Single Door Plastic Demarcation Enclosure



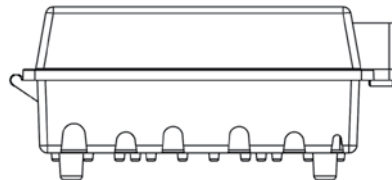
### Features & Benefits

- Dual locking system
- Removable cover
- Plywood Optional
- UV stabilized plastic can be painted with Latex paint
- Countersunk mounting holes for easy mounting on uneven surfaces like aluminum or vinyl siding
- Standard color is Gray
- Custom Logos/Imprints
- Injection molded available



### INDOOR/OUTDOOR WALL ENCLOSURE - RNI-3900

Stock ID	10-9899
Description	Plastic demarcation enclosure with locking terminator
Dimensions	12.15" H x 9.55" W x 4.40" D
Material	UV Stabilized Plastic, Gray (can be painted with latex paint)
Cable Entry	Multiple Entry Points at Bottom of Enclosure
Weight	18lbs per case
UOM	10 per case



Order From:

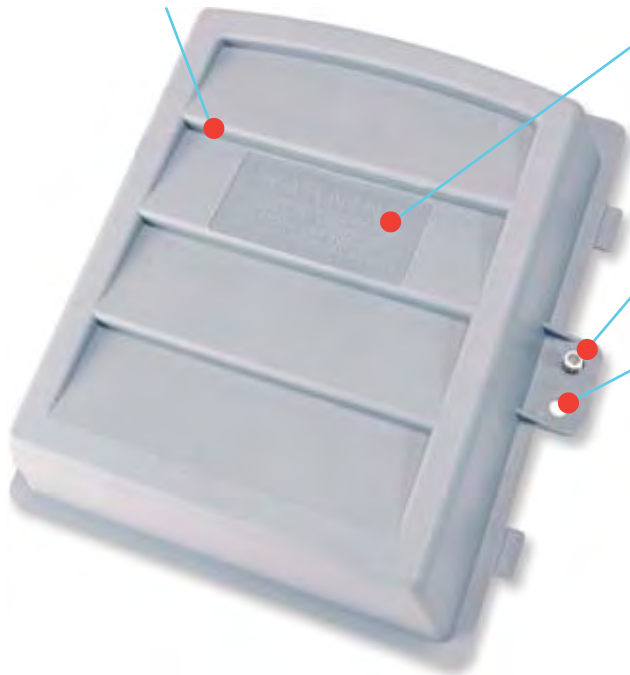


Toll Free: 800-423-2594  
[www.multicominc.com](http://www.multicominc.com)  
[multicom@multicominc.com](mailto:multicom@multicominc.com)

## RNI-3800 Single Door Plastic Demarcation Enclosure

Louvers are designed into cover to look like vents on the side of homes

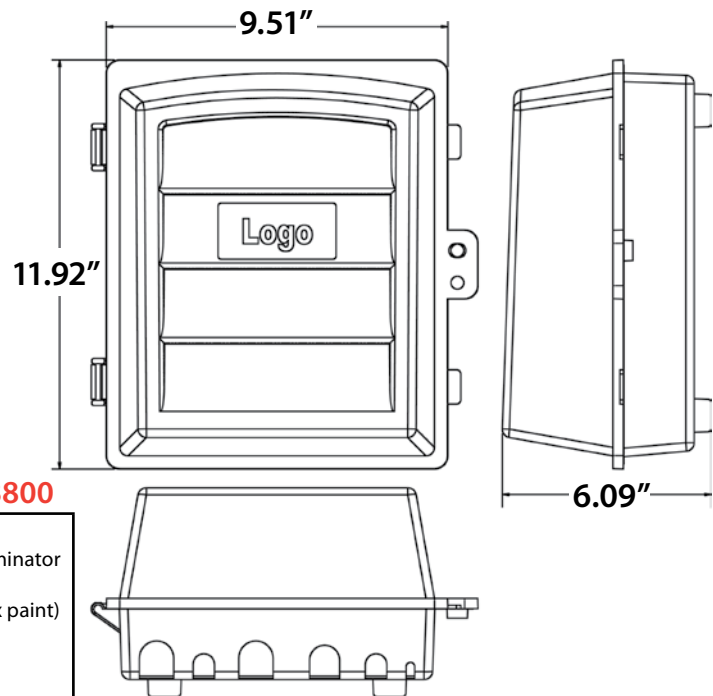
Custom logo available and molded into plastic



Locking Terminator  
Locking hole for cable lock or wires

### Features & Benefits

- Dual locking system
- Removable cover
- Plywood Optional
- UV stabilized plastic can be painted with Latex paint
- Countersunk mounting holes for easy mounting on uneven surfaces like aluminum or vinyl siding
- Standard color is Gray
- Custom Logos/Imprints. Injection molded available



### INDOOR/OUTDOOR WALL ENCLOSURE - RNI-3800

Stock ID	10-8609
Description	Single Door Demarkation Enclosure w/ Locking Terminator
Dimensions	11.92" H x 9.51" W x 6.09" D
Material	UV Stabilized Plastic, Gray (can be painted with latex paint)
Cable Entry	Multiple Entry Points at Bottom of Enclosure
Weight	18lbs. per case
UOM	10 per case

Order From:



Toll Free: 800-423-2594  
www.multicominc.com  
multicom@multicominc.com